

Engine Serial Number Location

Service Category Engine/Hybrid System

Section Engine Mechanical

Market USA

Toyota Supports
 ASE Certification 

Applicability

YEAR(S)	MODEL(S)	ADDITIONAL INFORMATION
2000 – 2009	4Runner, Avalon, Camry, Corolla, Land Cruiser, RAV4, Sienna, Solara, Tacoma, Tundra	
2007 – 2009	Camry HV, FJ Cruiser, Yaris	
2000 – 2005	Celica, Echo, MR2 Spyder	
2006 – 2009	Highlander HV	
2001 – 2009	Highlander, Prius, Sequoia	
2003 – 2009	Matrix	
2009	Venza	

Introduction

The purpose of this TSB is to assist in the identification and location of engine serial numbers on 2000 – 2009 model year Toyota vehicles.

NOTE

When writing a Field Technical and/or Product Report the serial number of the engine MUST be provided.

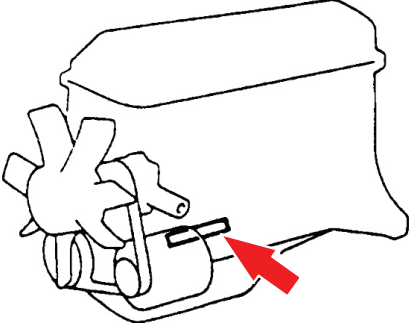
Warranty Information

OP CODE	DESCRIPTION	TIME	OFP	T1	T2
N/A	Not Applicable to Warranty	–	–	–	–

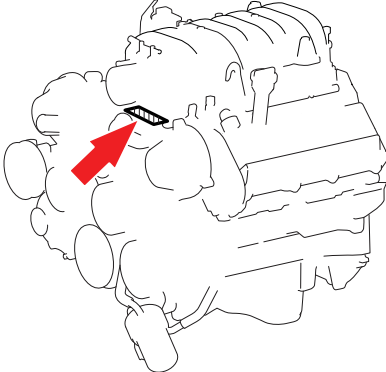
Engine Serial Number Location

Identification Procedure

ENGINE MODEL	MODEL	MODEL YEAR	SERIAL NUMBER
3RZ-FE	4Runner	2000	3RZ- 1 ##### 1: Plant Code (1 – 9) #####: 6-Digit Serial Number (0 – 9) Location: On Left Side of Engine Block, next to Alternator (as shown below)
	Tacoma	2000 – 2004	



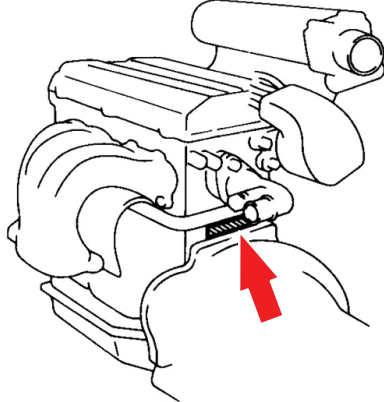
ENGINE MODEL	MODEL	MODEL YEAR	SERIAL NUMBER
2UZ-FE	4Runner	2003 – 2009	2UZ- 1 ##### 1: Plant Code (1 – 9) #####: 6-Digit Serial Number (0 – 9) Location: On Front Center of Engine Block, below Intake Manifold (as shown below)
	Land Cruiser	2000 – 2007	
	Sequoia	2000 – 2009	
	Tundra	2000 – 2009	



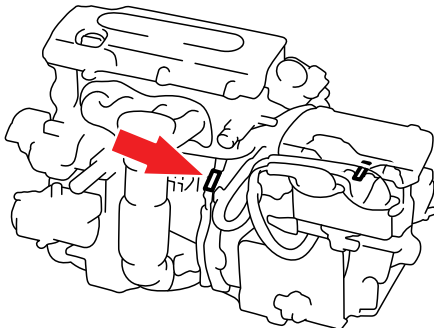
Engine Serial Number Location

Identification Procedure (Continued)

ENGINE MODEL	MODEL	MODEL YEAR	SERIAL NUMBER
5S-FE	Camry	2000 – 2001	5S- 1 ##### 1: Plant Code (1 – 9) #####: 6-Digit Serial Number (0 – 9) Location: On Back of Engine Block, above Bell Housing (as shown below)
	Solara		



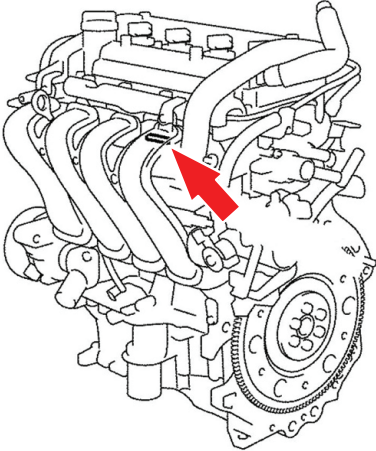
ENGINE MODEL	MODEL	MODEL YEAR	SERIAL NUMBER
2AZ-FXE	Camry HV	2007 – 2009	2AZ- 1 ##### 1: Plant Code (1 – 9) #####: 6-Digit Serial Number (0 – 9) Location: On Right Rear of Engine Block, to the Right of Exhaust Manifold (as shown below)



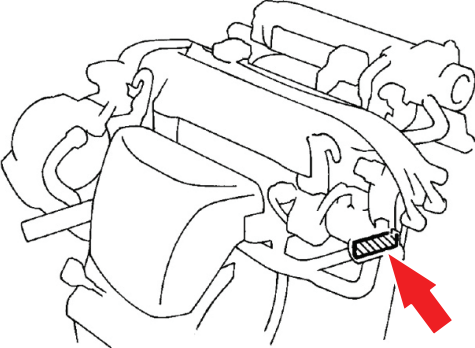
Engine Serial Number Location

Identification Procedure (Continued)

ENGINE MODEL	MODEL	MODEL YEAR	SERIAL NUMBER
1NZ-FE	ECHO	2000 – 2005	1NZ- 1 ##### 1: Plant Code (1 – 9) #####: 6-Digit Serial Number (0 – 9) Location: Under Exhaust Manifold on Engine Block (as shown below)
	Yaris	2007 – 2009	

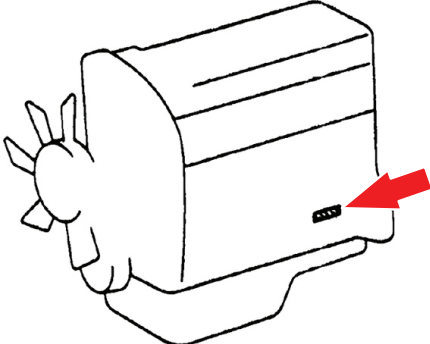


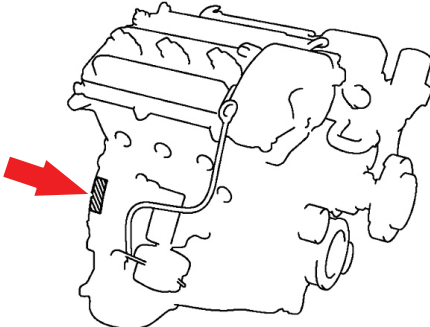
ENGINE MODEL	MODEL	MODEL YEAR	SERIAL NUMBER
3S-FE	RAV4	2000	3S- 1 ##### 1: Plant Code (1 – 9) #####: 6-Digit Serial Number (0 – 9) Location: Rear of Engine Block above Bell Housing (as shown below)



Engine Serial Number Location

Identification Procedure (Continued)

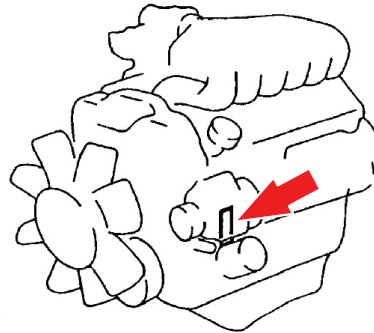
ENGINE MODEL	MODEL	MODEL YEAR	SERIAL NUMBER
2TR-FE	Tacoma	2005 – 2009	2TR- 1 ##### 1: Plant Code (1 – 9) #####: 6-Digit Serial Number (0 – 9) Location: On Left Side of Engine Block, towards Rear of Block (as shown below)
			

ENGINE MODEL	MODEL	MODEL YEAR	SERIAL NUMBER
1GR-FE	4Runner	2003 – 2009	1GR- 1 ##### 1: Plant Code (1 – 9) #####: 6-Digit Serial Number (0 – 9) Location: Right Side of Engine Block, towards Rear of Block (as shown below)
	FJ Cruiser	2007 – 2009	
	Tacoma	2005 – 2009	
	Tundra		
			

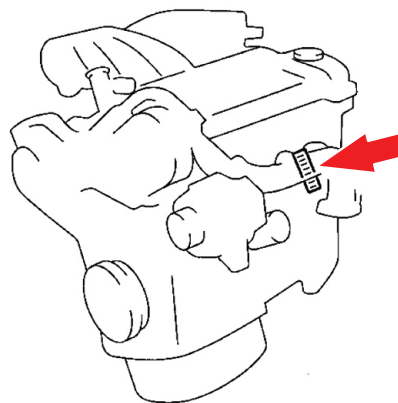
Engine Serial Number Location

Identification Procedure (Continued)

ENGINE MODEL	MODEL	MODEL YEAR	SERIAL NUMBER
5VZ-FE	4Runner	2000 – 2002	5VZ- 1 ##### 1: Plant Code (1 – 9) #####: 6-Digit Serial Number (0 – 9) Location: On Left Side of Engine Block, towards Front of Engine, near Alternator (as shown below)
	Tacoma	2000 – 2004	
	Tundra		



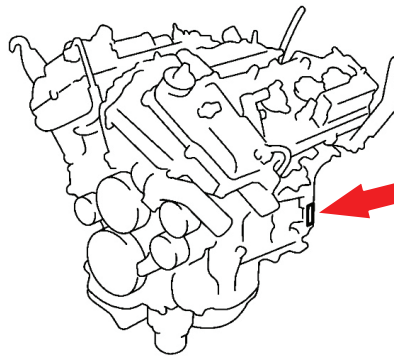
ENGINE MODEL	MODEL	MODEL YEAR	SERIAL NUMBER
1MZ-FE	Avalon	2000 – 2004	1MZ- 1 ##### 1: Plant Code (1 – 9) #####: 6-Digit Serial Number (0 – 9) Location: On Left Side of Engine Block, towards Rear of Engine (as shown below)
	Camry	2000 – 2006	
	Highlander	2001 – 2003	
	Sienna	2000 – 2003	
	Solara		



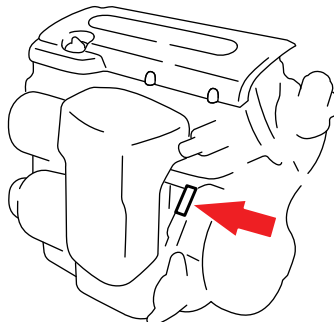
Engine Serial Number Location

Identification Procedure (Continued)

ENGINE MODEL	MODEL	MODEL YEAR	SERIAL NUMBER
2GR-FE	Avalon	2005 – 2009	2GR- 1 ##### 1: Plant Code (1 – 9) #####: 6-Digit Serial Number (0 – 9) Location: On Left Side of Engine Block, towards Rear of Engine (as shown below)
	Camry	2007 – 2009	
	Highlander	2008 – 2009	
	RAV4	2006 – 2009	
	Sienna	2007 – 2009	
	Venza	2009	



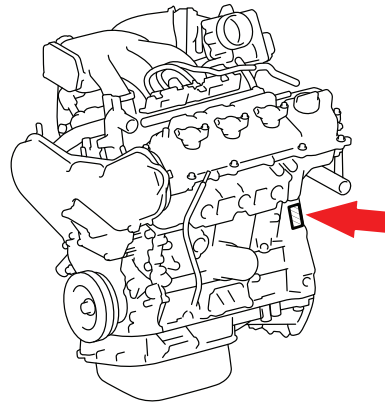
ENGINE MODEL	MODEL	MODEL YEAR	SERIAL NUMBER
2AZ-FE	Camry	2002 – 2009	2AZ- 1 ##### 1: Plant Code (1 – 9) #####: 6-Digit Serial Number (0 – 9) Location: Left Rear of Engine Block, to the Right of Exhaust Manifold (as shown below)
	Corolla	2009	
	Matrix		
	Highlander	2000 – 2007	
	RAV4	2006 – 2008	
	Solara	2004 – 2009	



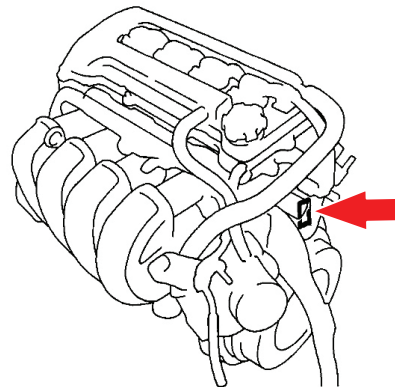
Engine Serial Number Location

Identification Procedure (Continued)

ENGINE MODEL	MODEL	MODEL YEAR	SERIAL NUMBER
3MZ-FE	Camry	2004 – 2006	3MZ- 1 ##### 1: Plant Code (1 – 9) #####: 6-Digit Serial Number (0 – 9) Location: Left Rear of Engine Block, towards Rear of Engine (as shown below)
	Highlander	2004 – 2007	
	Highlander HV	2006 – 2009	
	Sienna	2004 – 2006	
	Solara	2004 – 2009	



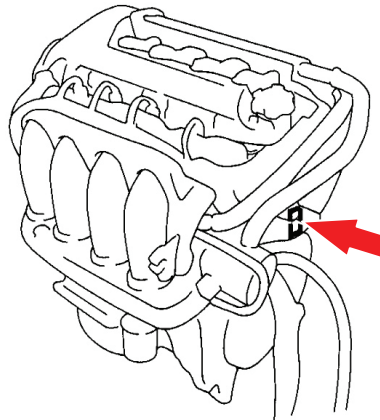
ENGINE MODEL	MODEL	MODEL YEAR	SERIAL NUMBER
1ZZ-FE	Celica	2000 – 2005	1ZZ- 1 ##### 1: Plant Code (1 – 9) #####: 6-Digit Serial Number (0 – 9) Location: On Rear of Engine Block (as shown below)
	Corolla	2000 – 2008	
	MR2 Spyder	2000 – 2005	
	Matrix	2000 – 2008	



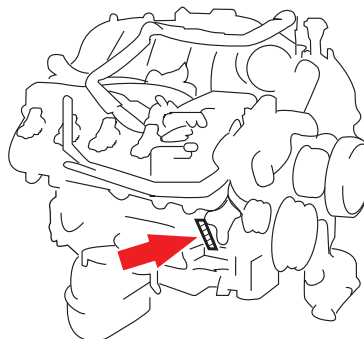
Engine Serial Number Location

Identification Procedure (Continued)

ENGINE MODEL	MODEL	MODEL YEAR	SERIAL NUMBER
2ZZ-GE	Celica	2000 – 2005	2ZZ- 1 ##### 1: Plant Code (1 – 9) #####: 6-Digit Serial Number (0 – 9) Location: On Rear of Engine Block (as shown below)
	Corolla	2005 – 2006	
	Matrix	2003 – 2006	

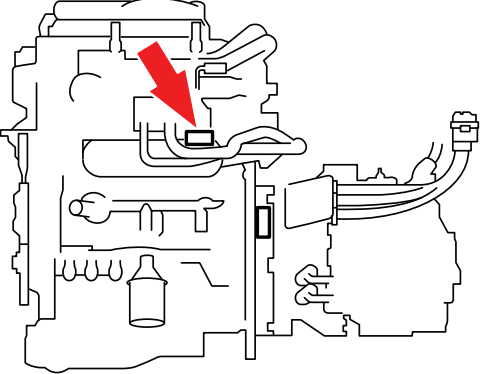


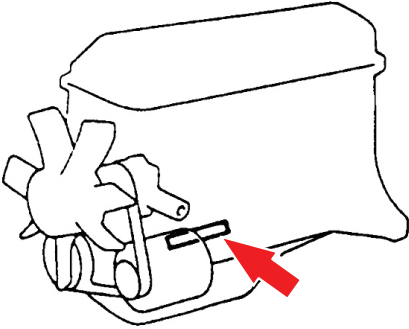
ENGINE MODEL	MODEL	MODEL YEAR	SERIAL NUMBER
3UR-FE	Land Cruiser	2008 – 2009	3UR- 1 ##### 1: Plant Code (1 – 9) #####: 6-Digit Serial Number (0 – 9) Location: On Right Side of Engine Block, towards Front of Engine (as shown below)
	Sequoia		
	Tundra	2007 – 2009	



Engine Serial Number Location

Identification Procedure (Continued)

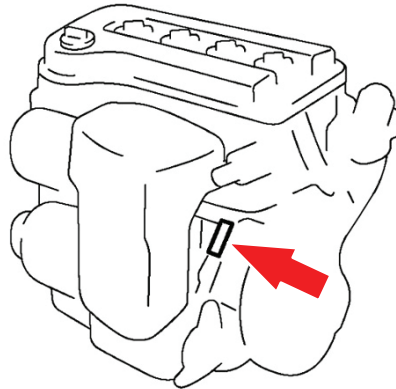
ENGINE MODEL	MODEL	MODEL YEAR	SERIAL NUMBER
1NZ-FXE	Prius	2000 – 2009	1NZ- 1 ##### 1: Plant Code (1 – 9) #####: 6-Digit Serial Number (0 – 9) Location: On Left Side of Engine Block, towards Rear of Engine (as shown below)
			

ENGINE MODEL	MODEL	MODEL YEAR	SERIAL NUMBER
2RZ-FE	Tacoma	2000 – 2004	2RZ- 1 ##### 1: Plant Code (1 – 9) #####: 6-Digit Serial Number (0 – 9) Location: On Left Side of Engine Block, towards Front of Engine, near Alternator (as shown below)
			

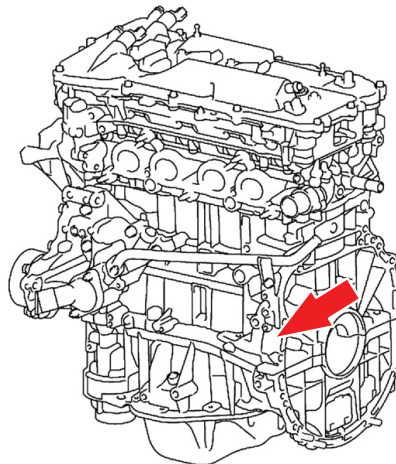
Engine Serial Number Location

Identification Procedure (Continued)

ENGINE MODEL	MODEL	MODEL YEAR	SERIAL NUMBER
1AZ-FE	RAV4	2001 – 2003	1AZ- 1 ##### 1: Plant Code (1 – 9) #####: 6-Digit Serial Number (0 – 9) Location: On Left Rear of Engine Block, to the Right of Exhaust Manifold (as shown below)



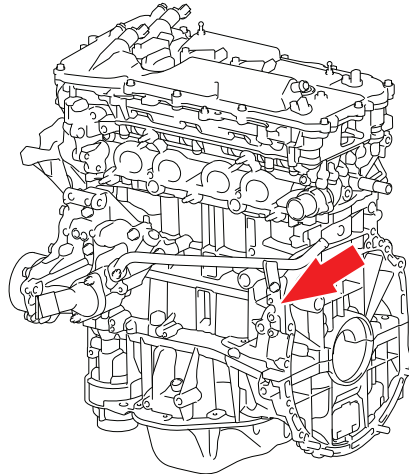
ENGINE MODEL	MODEL	MODEL YEAR	SERIAL NUMBER
1AR-FE	Venza	2009	1AR- 1 ##### 1: Plant Code (1 – 9) #####: 6-Digit Serial Number (0 – 9) Location: Left Rear of Engine Block (as shown below)



Engine Serial Number Location

Identification Procedure (Continued)

ENGINE MODEL	MODEL	MODEL YEAR	SERIAL NUMBER
2AR-FE	RAV4	2009	2AR- 1 ##### 1: Plant Code (1 – 9) #####: 6-Digit Serial Number (0 – 9) Location: Left Rear of Engine Block (as shown below)



ENGINE MODEL	MODEL	MODEL YEAR	SERIAL NUMBER
2ZR-FE	Corolla	2009	2ZR- 1 ##### 1: Plant Code (1 – 9) #####: 6-Digit Serial Number (0 – 9) Location: Right Front of Engine Block (as shown below)
	Matrix		

