

Toyota Seat Belt Extender

Service Category Vehicle Interior

Section Seat Belt

Market USA

Toyota Supports
 ASE Certification 

Applicability

YEAR(S)	MODEL(S)	ADDITIONAL INFORMATION
2009	4Runner, Avalon, Camry, Camry HV, Corolla, FJ Cruiser, Highlander, Highlander HV, Land Cruiser, Matrix, Prius, RAV4, Sequoia, Sienna, Tacoma, Tundra, Venza, Yaris	

TSB REVISION NOTICE

- **June 24, 2009 Rev1:**
 - **Applicability and Seat Belt Extender Application sections have been updated to include 2009 Venza.**

Any previous printed versions of this service bulletin should be discarded.

Introduction

Toyota customers who find it necessary to increase the length of their seat belts may obtain Seat Belt Extenders at no cost through their local Toyota dealer.

- The extender is available in 6-inch, 9-inch, 12-inch, 15-inch, and 18-inch lengths.
- The extender is available only in black.
- Owners are informed of the Seat Belt Extender availability through the Owner's Manual included in each vehicle.

The customer (individual requiring the extender) must visit a Toyota dealership to have the required measurements made and to complete the Seat Belt Extender Worksheet. The worksheet will allow the proper fitting and selection of a Seat Belt Extender for the customer. The dealership personnel should then determine the applicable part number and place an order through Dealer Daily.

Toyota Seat Belt Extender

Introduction (Continued)

The dealership service department should complete the affixed Seat Belt Extender Customer Information Label on the part and review the "Owner Instructions" (page 4) with the customer. The dealership should give a copy of the completed worksheet and Owner Instructions to the customer and keep the originals in the customer's file. To assure utmost owner satisfaction, it is recommended that a dealership designate one person to coordinate all activities related to the Seat Belt Extender issue. It is recommended that **dealerships do NOT stock** Seat Belt Extenders due to the need for proper fitting to individual customers.

This bulletin contains the following information:

- Procedure and Sample Label
- Application Charts
- Part Number Information
- Owner Instructions
- Seat Belt Extender Worksheet

Warranty Information

OP CODE	DESCRIPTION	TIME	OFP	T1	T2
N/A	Not Applicable to Warranty	–	–	–	–

Repair Procedure

1. Customer requests a Seat Belt Extender from dealer.
2. Dealer verifies the need for a Seat Belt Extender and obtains a current copy of this TSB and copies the worksheet.
3. Dealer measures the customer and completes the worksheet. Dealer determines the correct part number and places an order for the part through Dealer Daily.
4. Dealer receives Seat Belt Extender and calls the customer to check the fit of the part.
5. If the Seat Belt Extender fit is good, dealership personnel completes the Customer Information Label on the part, explains usage of the part, and gives the customer a copy of the completed worksheet.
6. Dealer places copy of the completed worksheet in the customer's records.

Toyota Seat Belt Extender

Repair Procedure (Continued)

Figure 1.

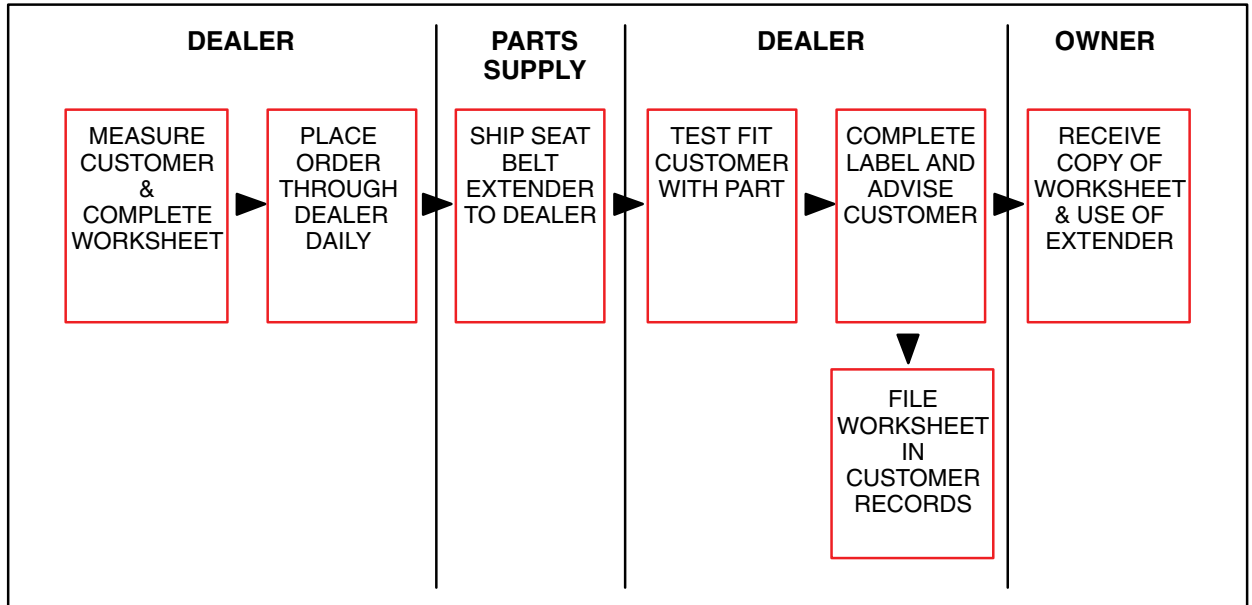


Figure 2. Sample Seat Belt Extender Customer Information Label

CAUTION

THIS SEAT BELT EXTENDER IS TO BE USED ONLY BY: _____

ON VEHICLE: _____

VIN: _____

SEATING POSITION: _____

**USE BY OTHERS, OR IN ANOTHER SEATING POSITION, OR IN ANOTHER VEHICLE
COULD REDUCE SEAT BELT RESTRAINT IN AN ACCIDENT AND RESULT IN
PERSONAL INJURY.**

Toyota Seat Belt Extender

Front Seat Belt Extender Applications

FRONT SEAT — EXTENDER APPLICATION		
MODEL	TYPE	2009
Yaris	All Models	K-6
Rav4		R-8
Corolla (TAKAOKA / KANTO Production)		R-8
Corolla (TMMC Production)		R-8
Corolla (NUMMI Production)		R-8
Matrix		R-8
Prius		R-8
Camry		R-8
Camry HV		R-8
Avalon		K-6
Sienna		R-8
Tacoma		R-7*1, R-8*2
4Runner		K-7
Land Cruiser		R-8
Highlander		R-8
Highlander HV		R-8
FJ Cruiser		K-7
Sequoia		R-8
Tundra		R-8
Venza		R-8

*1 : Bench Type

*2 : Separate Type

Toyota Seat Belt Extender

Rear Seat Belt Extender Applications

REAR SEAT — EXTENDER APPLICATION		
MODEL	TYPE	2009
Yaris	All Models	R-8
Rav4		R-8
Corolla (TAKAOKA / KANTO Production)		K-5
Corolla (TMMC Production)		T-1
Corolla (NUMMI Production)		T-1
Matrix		T-1
Prius		R-8
Camry		R-8
Camry HV		R-8
AVALON		R-8
Sienna		R-8, Q-6*1
Tacoma (Extra Cab)		T-1
Tacoma (Double Cab)		T-1
4Runner		K-7*2, R-8*3,
Land Cruiser		K-7, K-8*4
Highlander		R-8
Highlander HV		R-8
FJ Cruiser		R-8
Sequoia (Rear No. 1 Seat)		R-8
Sequoia (Rear No. 2 Seat)		R-8
Tundra (Access Cab)		R-8
Tundra (Double Cab)		R-8
Venza		K-5*5

*1: for the rear No. 1 RH seat of 7 passenger's models and the center seats of the rear No. 1 and No. 2 seats

*2: for the rear No. 1 seat

*3: for the rear No. 2 seats

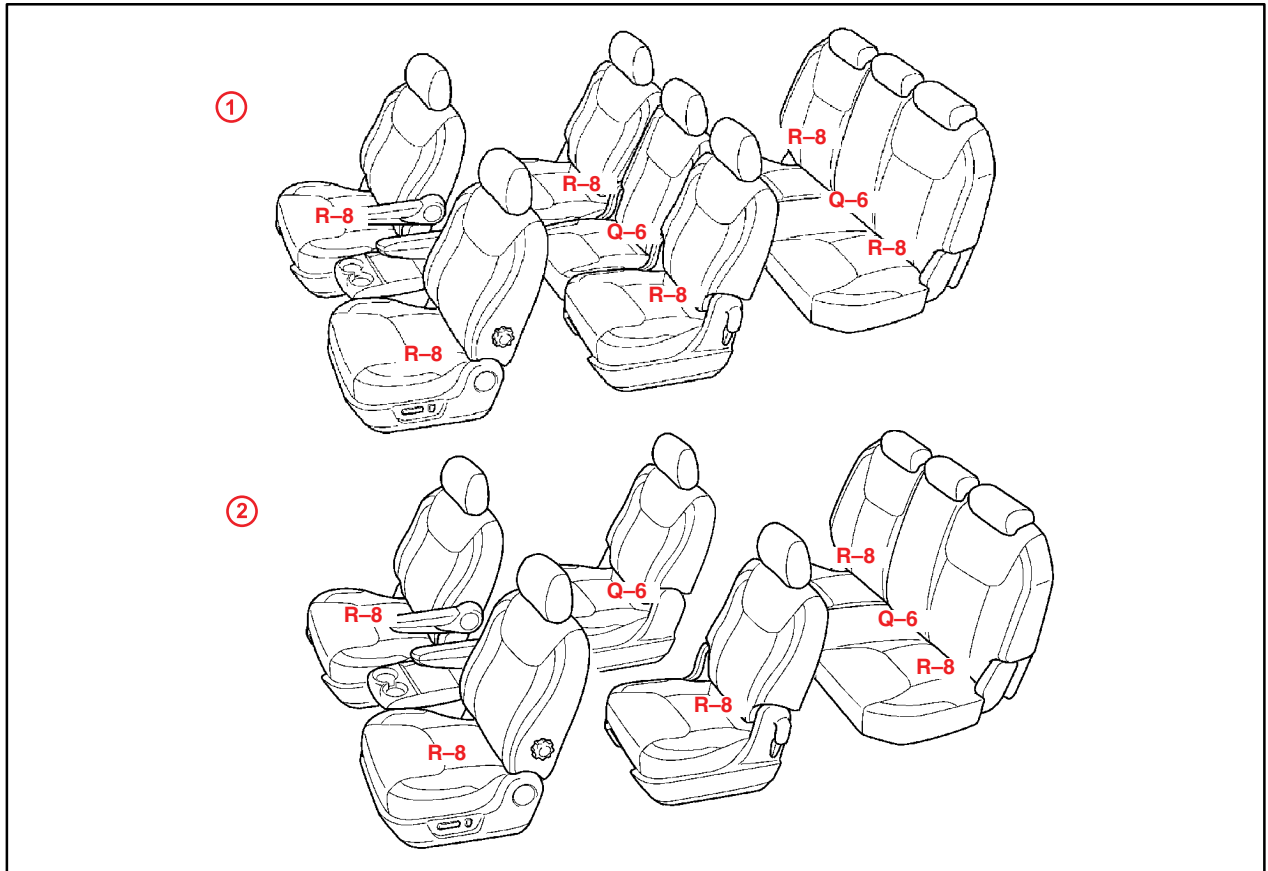
*4: for the center seats of the rear No. 1 and No. 2 seats

*5: a seat belt extender must not be used for the center rear seat belt.

Toyota Seat Belt Extender

Rear Seat Belt Extender Applications (Continued)

Figure 3. Example of Sienna



1	8 Passengers
2	7 Passengers

Part Number Information

PART NUMBER PREFIX: 73399					
SERIES	6 INCH	9 INCH	12 INCH	15 INCH	18 INCH
R-7	-48010	-48020	48030	-48040	-48050
R-8	-50060	-50070	-50080	-50090	-50100
K-5	-35010	-35020	-35030	-35040	-35050
K-6	-35060	-35070	-35080	-35090	-35100
K-7	-60010	-60020	-60030	-60040	-60050
Q-6	-AE061	-AE071	-AE081	-AE091	-AE101
T-1	-01110	-01120	-01130	-01140	-01150

Toyota Seat Belt Extender

Owners Instructions

Failure to follow the recommendations indicated below could result in reduced effectiveness of the seat belt restraint system in case of vehicle collision, causing personal injury.

If your seat belt cannot be fastened securely because it is not long enough, a personalized Seat Belt Extender is available from your dealer free of charge.

Please visit your local dealer so that the dealer can order the proper required length extender. Bring the heaviest coat you expect to wear for proper measurement and selection of length. Additional ordering information is available at your dealer.

When the Seat Belt Extender is provided for rear seat positions (with automatic locking retractor), make sure the retractor is locked when in use.

To connect the extender to the seat belt, insert the tab into the seat belt buckle so that the buckle-release buttons of the extender and the seat belt are both facing outward as shown.

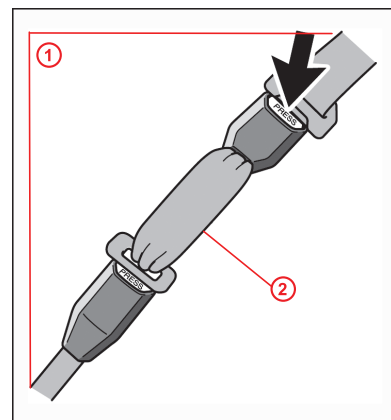
You will hear a click when the tab locks into the buckle. When not in use, remove the extender and store in the vehicle for future use.

CAUTION

On vehicles equipped with SRS – Occupant Classification System (OCS)*, it is critical that the extender tab be buckled into the buckle AFTER the occupant sits down in the seat.

Leaving extender installed in the buckle before sitting down will cause the OCS to be in the “airbag off” or disarmed state.

Figure 4.



1	Seat Belt
2	Extender

*OCS will enable or disable the passenger front and side airbags based on passenger weight and seat belt latch position classifying the passenger as a child or adult.

CAUTION

When using the Seat Belt Extender, observe the following. Failure to follow these instructions could result in reduced effectiveness of the seat belt restraint system in case of vehicle accident, increasing the chance of personal injury.

- **NEVER** use the Seat Belt Extender if you can **COMFORTABLY** fasten the seat belt without it.
- The Seat Belt Extender must never be used with any child safety seats.
- Remember that the extender provided for you may not be safe when used on a different vehicle, or for another person or at a different seating position than the one originally intended for.

Toyota Seat Belt Extender

SEAT BELT EXTENDER WORKSHEET

PLEASE COPY THIS ORIGINAL WORKSHEET FOR EACH EXTENDER NEEDED

CAUTION:

- To minimize the chance and/or severity of injury in an accident, the Seat Belt Extender must only be used:
 - 1 By the person for whom it was provided.
 - 2 In the seat position for which it was provided.
- The Seat Belt Extender must never be used with any child safety seats.
- When the Seat Belt Extender is provided for rear seat positions (with automatic locking retractor), make sure the retractor is locked when extender belt is in use.

DEALER		SEAT BELT EXTENDER APPLICATION			APPLICANT	
DEALER CODE	DEALER NAME	APPLICANT NAME				
ADDRESS		ADDRESS				
CITY & STATE		ZIP	CITY & STATE		ZIP	PHONE
EMPLOYEE NAME	MODEL YEAR	BODY TYPE	SEATING POSITION	VEHICLE IDENTIFICATION NUMBER		

DIRECTIONS FOR DETERMINING PROPER EXTENDER LENGTH

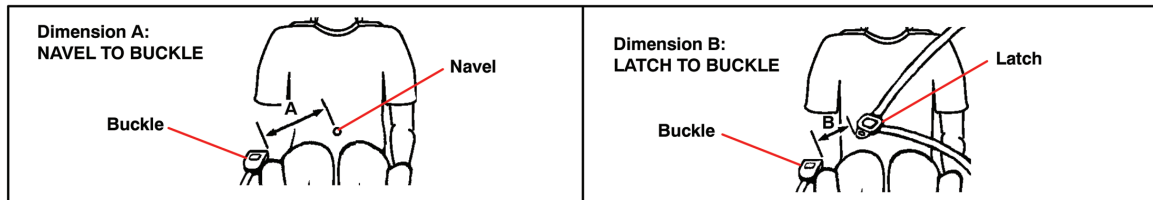
1. Place the seat in the position the applicant normally uses.
2. With the applicant in the seat, wearing the thickest coat expected to be worn, pull belt all the way out and try to buckle belt.
 - If belt latches into buckle and feels comfortable against upper chest area, an extender is not needed.
 - If belt does not buckle, continue with Step 3.
 - If buckle latches but belt has no slack remaining, continue with Step 3.
3. Measure distance between applicant's navel and seat belt buckle (Dimension A) and enter on Worksheet.
4. With belt all the way out, measure distance between latch tip and buckle tip (Dimension B) and enter on Worksheet.

NOTE: If belt latches but there is no slack enter zero as Dimension B.
5. Subtract Dimension B from Dimension A and record number in Check Number box on Worksheet.
6. Seat Belt Extender length is Dimension B rounded up to next extender length (without exceeding Check Number).

NOTE: If extender length exceeds Check Number, an extender cannot be provided to the customer.

CAUTION:

On vehicles equipped with SRS - Occupant Classification System (OCS), it is critical that the extender tab be buckled into the buckle AFTER the occupant sits down in the seat. Leaving extender installed in the buckle before sitting down will cause the OCS to be in the "airbag off" or disarmed state.



SEAT BELT EXTENDER CALCULATION

DIMENSION A:	DIMENSION B:	CHECK NUMBER:
--------------	--------------	---------------

SEAT BELT EXTENDER AUTHORIZATION

- The same Seat Belt Extender can be used for right and left seating applications. Each Seat Belt Extender will have a label identifying the owner, VIN and seating position.
- Applicant's Signature: _____ Date: _____
(Actual user of Seat Belt Extender)