

2010 Toyota Venza (none) Wagon

SPECIAL CAUTIONS

SUPPLEMENTAL RESTRAINT SYSTEM

Refer to Procedure Explanation 29 for Supplemental Restraint/Air Bag Special Cautions.

2010 Toyota Venza (none) Wagon

PAINT CODE LOCATION

Paint code located on left lock pillar.

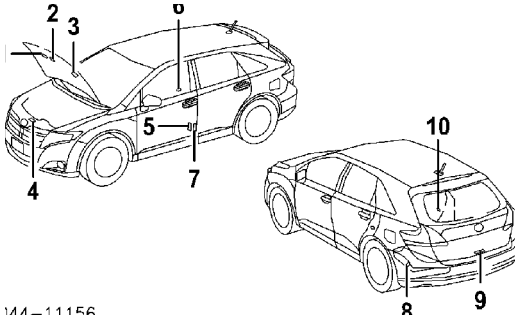
2010 Toyota Venza (none) Wagon

CLEAR COAT IDENTIFICATION

All colors are clear coat. White Pearl (Code 070) is three stage.

2010 Toyota Venza (none) Wagon

INFORMATION LABELS



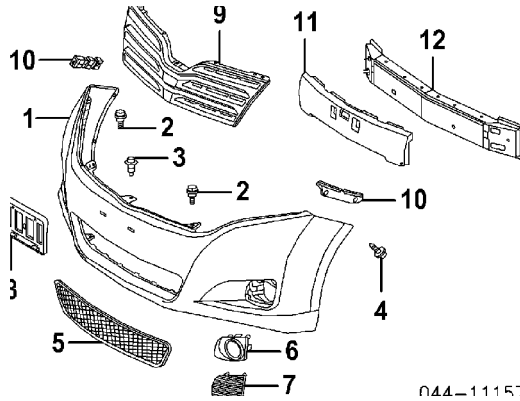
144-11156

1 Label, Loaded Testing Caution		11282-74010	\$2.34
2 Label, Emission Control			
2.7L Eng		11298-36020	\$0.97
3.5L Eng		11298-31470	\$0.97
3 Label, Cooler Service Caution		88723-07030	\$0.58
4 Label, Fan Information		16793-31020	\$1.37
Label, Cooling Fan Caution		16793-0V010	\$1.37
5 Label, Side Air Bag Caution	R	74596-02020	\$2.06
	L	74596-02020	\$2.06
6 Plate, Theft Warning	R	74515-06010	\$4.97
	L	74515-06010	\$4.97
7 Label, Differential Notice		41992-08010	\$4.37
8 Label, Compact Spare Tire Caution		42668-06010	\$3.60
9 Label, Back Door Operation		74528-0T010	\$2.06
10 Label, Child Proof Caution		69339-AA020	\$2.00

2010 Toyota Venza (none) Wagon

FRONT BUMPER

Procedures 1 and 28



Refinish Front Cover	2.6
R&I Front Cover	#1.4
O/H Front Cover (Includes R&I)	#2.6
#Includes R&I/R&R Grille	
Add to R&R or O/H Front Cover	
w/Fog Lamps	.4

NOTE: All Parts in this section are included in O/H unless noted otherwise.

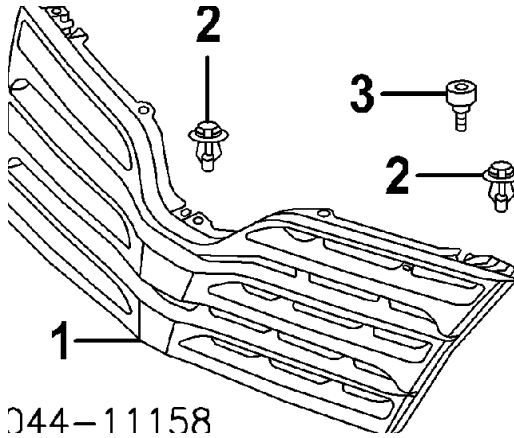
1 Cover, Front (P)	#2.6	52119-0T900	\$269.85
(P) Paint to Match			
#Includes R&I/R&R Grille			
2 Bolt, Upper Cover	R	90109-06375	\$0.89
	L	90109-06375	\$0.89
3 Retainer, Center		52161-02020	\$2.14
4 Bolt, Outer Cover	R	90159-50002	\$0.98
	L	90159-50002	\$0.98
5 Grille, Lower Cover		53112-0T010	\$42.98
Cover, Outer			
6 w/Fog Lamps	R	.2 52127-0T010	\$29.92
	L	.2 52128-0T010	\$29.92
7 w/o Fog Lamps	R	.2 52127-0T020	\$29.15
	L	.2 52128-0T020	\$29.15
8 Bracket, License Plate		.2 75101-0T010	\$31.44
9 Grille-See Grille Section			
10 Retainer, Cover	R	52535-0T010	\$32.15
	L	52536-0T010	\$32.15
11 Absorber, Impact	IOH	52611-0T010	\$37.07
12 Reinforcement, Bumper (HSS)	#.4	52021-06041	\$162.72

2010 Toyota Venza (none) Wagon

#w/Front Cover Removed, Not Included in O/H

2010 Toyota Venza (none) Wagon

GRILLE



044-11158

R&I Grille

#.5

#Includes R&R Air Guide Seal

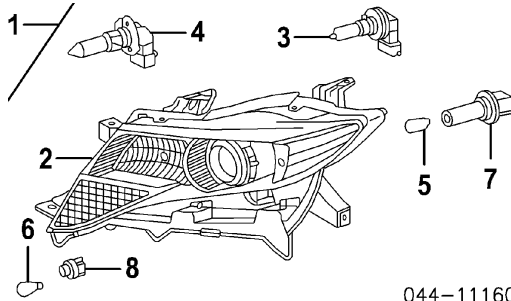
1 Grille	#.5	53101-0T010	\$246.51
#Includes R&R Air Guide Seal			
2 Clip, Grille (3)		90467-07201	\$1.38
3 Protector, Grille	R	53119-20120	\$9.12

2010 Toyota Venza (none) Wagon

FRONT LAMPS

COMBINATION LAMP

HALOGEN



044-11160

Aim Lamps

.4

R&I Combination Lamp Assy

R #1.7

L #1.7

#Includes R&I Front Cover

NOTE: R&R Does Not include aim lamps.

1 Lamp Assy, Combination	R	#1.7	81110-0T020	\$284.24
	L	#1.7	81150-0T020	\$284.24
2 Lens, Combination Lamp¶	R	#1.7	81130-0T020	\$223.35
	L	#1.7	81170-0T020	\$223.35
#Includes R&I Front Cover				
3 Bulb, Low Beam¶	R	#.2	90981-AD001	\$20.95
	L	#.2	90981-AD001	\$20.95
4 Bulb, High Beam¶	R	#.2	90981-13046	\$21.03
	L	#.2	90981-13046	\$21.03
5 Bulb, Marker¶	R	#.2	90981-12010	\$2.46
	L	#.2	90981-12010	\$2.46
6 Bulb, Signal¶	R	#.2	90981-AF004	\$7.80
	L	#.2	90981-AF004	\$7.80
#R&R One Side Complete, Included in R&I/R&R Combination Lamp Assy				
7 Socket, Marker Bulb¶	R		90069-81003	\$9.23
	L		90069-81003	\$9.23
8 Socket, Signal Bulb¶	R		90075-60060	\$8.60
	L		90075-60060	\$8.60

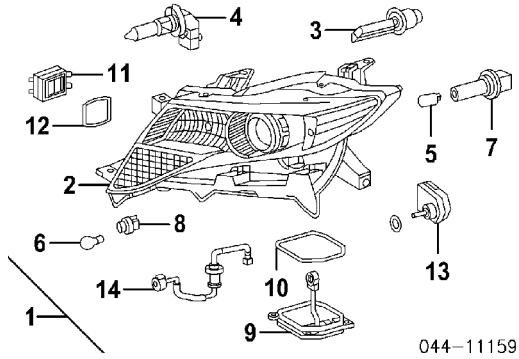
¶Included w/Combination Lamp Assy

Harness, Front Lamp-See Front Inner Structure Section

COMBINATION LAMP

2010 Toyota Venza (none) Wagon

HID



Aim Lamps

.4

R&I Combination Lamp Assy

R #1.7

L #1.7

#Includes R&I Front Cover

NOTE: R&R Does Not include aim lamps.

1 Lamp Assy, Combination	R	#1.7	81110-0T010	\$873.03
	L	#1.7	81150-0T010	\$873.03
2 Lens, Combination Lamp	R	#2.3	81130-0T010	\$612.81
	L	#2.3	81170-0T010	\$612.81
#Includes R&I Front Cover				
3 Bulb, Low Beam (HID)	R	#.2	90981-20024	\$175.00
	L	#.2	90981-20024	\$175.00
4 Bulb, High Beam	R	#.2	90981-13046	\$21.03
	L	#.2	90981-13046	\$21.03
5 Bulb, Marker	R	#.2	90981-12010	\$2.46
	L	#.2	90981-12010	\$2.46
6 Bulb, Signal	R	#.2	90981-AF004	\$7.80
	L	#.2	90981-AF004	\$7.80

#R&R One Side Complete, Included in R&I/R&R Combination Lamp Assy

7 Socket, Marker Bulb	R		90069-81003	\$9.23
	L		90069-81003	\$9.23
8 Socket, Signal Bulb	R		90075-60060	\$8.60
	L		90075-60060	\$8.60
9 Computer, Light Control	R	#.2	85967-06020	\$236.87
	L	#.2	85967-06020	\$236.87
10 Gasket, Computer	R		90075-68007	\$9.40
	L		90075-68007	\$9.40
11 Cover, Lamp	R		81135-0T010	\$16.55
	L		81135-0T010	\$16.55
12 Gasket, Cover	R		81134-0T010	\$13.63

2010 Toyota Venza (none) Wagon

	L		81134-0T010	\$13.63
13 Motor, Lamp Leveling¶	R	#.2	85661-12020	\$133.87
	L	#.2	85661-12020	\$133.87

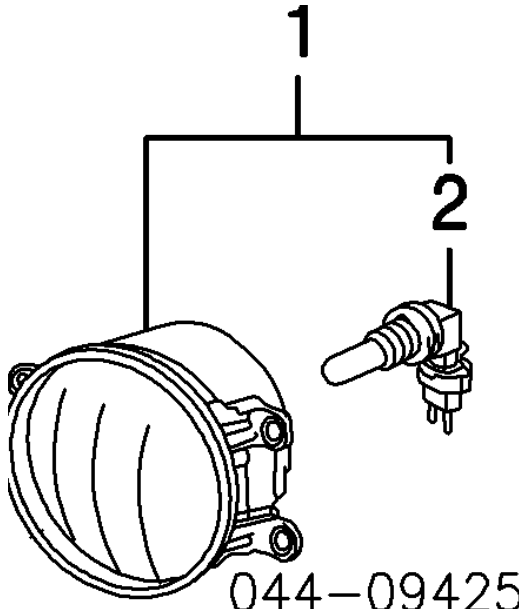
#w/Combination Lamp Assy Removed, Included in R&R Combination Lamp Lens

14 Harness, Lamp¶	R		81125-0T010	\$17.35
	L		81125-0T010	\$17.35

¶Included w/Combination Lamp Assy

Harness, Front Lamp-See Front Inner Structure Section

FOG LAMP



Aim Fog Lamps

R&I Fog Lamp Assy

	R	#1.6		.4
	L	#1.6		

#Includes R&I Front Cover

NOTE: R&R Does Not include aim lamps.

1 Lamp Assy, Fog				
Hella Brand	R	#1.6	81210-0T010	\$155.99
	L	#1.6	81220-0T010	\$155.99
Valeo Brand	R	#1.6	81210-06070	\$155.82
	L	#1.6	81220-06070	\$155.82

#Includes R&I Front Cover

2 Bulb, Fog Lamp¶				
Hella Brand	R	#.2	90981-13075	\$20.95

2010 Toyota Venza (none) Wagon

Valeo Brand	L	#.2	90981-13075	\$20.95
	R	#.2	90981-AD006	\$20.95
	L	#.2	90981-AD006	\$20.95

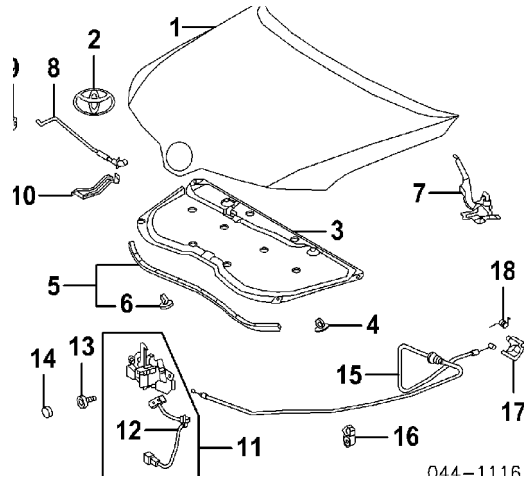
¶Included w/Fog Lamp Assy

#Included in R&I/R&R Fog Lamp Assy

2010 Toyota Venza (none) Wagon

HOOD

Procedures 4 and 28



Refinish Hood Outside				2.6		
Add for Underside				1.3		
Refinish Hinge	R			.5		
	L			.5		
R&I Hood Assy				.6		
R&I Washer Nozzle	R	#.2				
	L	#.2				
#Included in R&R Hood						
1 Hood (HSS)			1.3	53301-0T020		\$395.72
2 Emblem, Hood (Adhesive)			.2	75331-0T010		\$35.67
3 Insulator, Hood			.3	53341-0T010		\$113.35
4 Clip, Insulator (10)				90467-A0003		\$1.37
5 Seal Assy, Front Hood			.2	53381-0T010		\$27.06
6 Clip, Front Seal (10)¶				90467-08011		\$0.29
¶Included w/Front Hood Seal Assy						
7 Hinge, Hood	R	#.3		53410-0T010		\$27.66
	L	#.3		53420-0T010		\$27.66
#w/Hood Removed						
8 Rod, Hood Support			.2	53440-0T010		\$13.83
9 Grommet, Support Rod				90480-15027		\$2.40
10 Holder, Support Rod				53452-0T010		\$6.26
11 Latch Assy, Hood						
w/Theft Deterrent		#.5		53510-0T020		\$69.28
w/o Theft Deterrent		#.5		53510-0T010		\$47.93
#Includes R&R Air Guide Seal						
12 Switch, Alarm (a)				84231-33130		\$18.29

2010 Toyota Venza (none) Wagon

(a) Included w/Hood Latch Assy

13 Bolt, Latch		53577-33010	\$5.12
14 Cap, Bolt		53579-0E010	\$1.43
15 Cable, Hood Release	#.7	53630-0T010	\$27.98

#w/Necessary Trim Removed

16 Clip, Cable (4)		90084-46021	\$0.89
17 Handle, Hood Release			
Gray	#.3	53611-AA010-B3	\$10.32
Ivory	#.3	53611-AA010-A0	\$10.32

#Included in R&R Hood Release Cable

18 Spring, Handle		90084-50035	\$0.89
-------------------	--	-------------	--------

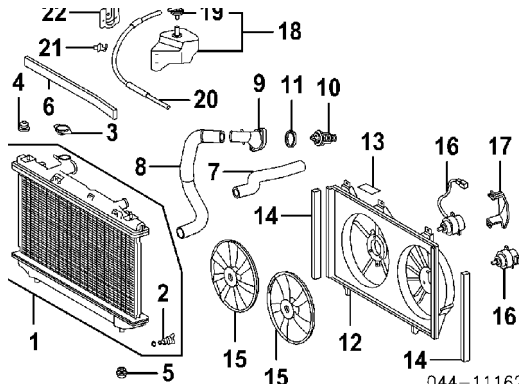
Nozzle, Washer-See Windshield Section

2010 Toyota Venza (none) Wagon

COOLING

Procedures 5 and 28

2.7L ENG



Part Number	Description	Quantity	Part Number	Price
	R&I Radiator Assy	#2.4		
	#w/Grille Removed			
1	Radiator Assy	#2.4	16400-0V010	\$540.50
	#w/Grille Removed			
2	Plug, Radiator Drain¶		16417-21280	\$4.63
	¶Included w/Radiator Assy			
3	Cap, Radiator		16401-31480	\$14.50
4	Cushion, Upr Rad Supt	R	16523-AD010	\$4.80
		L	16523-AD010	\$4.80
5	Support, Lwr Radiator	R	16535-0H030	\$8.49
		L	16535-0H030	\$8.49
6	Seal, Upper Radiator		16561-0V010	\$5.60
7	Hose, Upper Radiator	#.8	16571-36050	\$16.19
8	Hose, Lower Radiator	#1.3	16572-0V010	\$21.09
	#R&R Both 1.8			
9	Inlet, Water	#1.7	16321-0V010	\$23.12
10	Thermostat	#1.7	90916-03129	\$19.16
11	Gasket, Thermostat	#1.7	16325-28010	\$5.26
	#R&R Complete			
12	Shroud, Fan			
	w/Towing Pkg	#.5	16711-0V020	\$92.08
	w/o Towing Pkg	#.5	16711-0V010	\$92.08
13	Label, Cooling Fan Caution-See Information Labels Section			
14	Seal, Side Radiator	R	16563-0V010	\$3.63
		L	16563-0V010	\$3.63
15	Fan, Cooling			
	w/Towing Pkg	R #.5	16361-0H240	\$71.37
		L #.5	16361-0H280	\$58.89

2010 Toyota Venza (none) Wagon

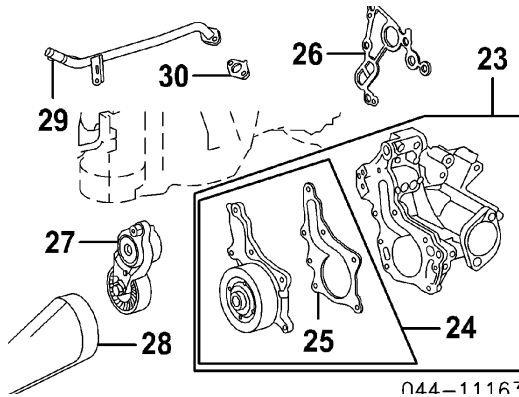
w/o Towing Pkg	R	#.5	16361-0H100	\$79.75
	L	#.5	16361-0H090	\$58.89
16 Motor, Cooling Fan				
w/Towing Pkg	R	#.5	16363-0V020	\$166.36
	L	#.5	16363-0V010	\$166.36
w/o Towing Pkg	R	#.5	16363-0H070	\$191.48
	L	#.5	16363-0H010	\$191.25

#R&R Complete, w/Radiator Removed

17 Insulator, Fan Motor				
w/Towing Pkg			16366-0H200	\$12.46
w/Towing Pkg				
Japan Sourced Part			16366-0V010	\$15.75
Non-Japan Sourced Part			16366-0V010	\$15.75
18 Reservoir Assy, Coolant	.5		16470-0P030	\$43.32
19 Cap, Reservoir (a)			16471-AA010	\$5.41

(a) Included w/Coolant Reservoir Assy

20 Hose, Reservoir	.3		16566-0P010	\$8.06
21 Clamp, Hose (2)			90469-12014	\$2.56
22 Bracket, Reservoir			16611-0P010	\$16.03



23 Housing Assy, Inlet				
w/Towing Pkg			16032-36020	\$381.31
w/o Towing Pkg			16032-36010	\$242.07
24 Pump Assy, Water (b)	2.7		16100-39515	\$127.00
25 Gasket, Water Pump (b) (c)			16271-36010	\$5.05

(b) Included w/Inlet Housing Assy

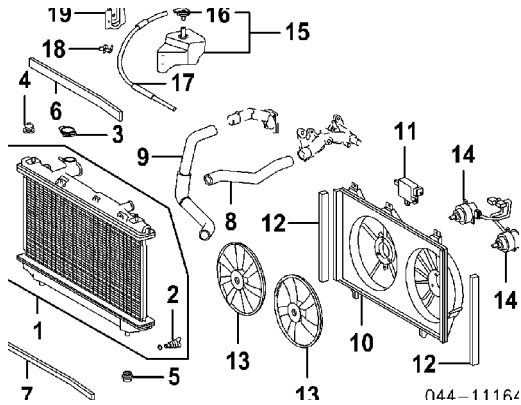
(c) Included w/Water Pump Assy

26 Gasket, Inlet Housing			16326-36010	\$20.01
27 Tensioner, Belt	#1.0		16620-36010	\$185.74
#Includes R&R Drive Belt				

2010 Toyota Venza (none) Wagon

28 Belt, Drive	.8	90916-A2020	\$50.94
29 Pipe, Coolant By-Pass		16268-36010	\$26.89
30 Gasket, By-Pass Pipe		16258-36010	\$3.49

3.5L ENG



R&I Radiator Assy

#2.8

#w/Grille Removed

1 Radiator Assy				
w/Towing Pkg	#2.8	16400-AD020	\$566.23	
w/Towing Pkg	#2.8	16400-0P220	\$553.38	
#w/Grille Removed				
2 Plug, Radiator Drain		16417-21280	\$4.63	
Included w/Radiator Assy				
3 Cap, Radiator		16401-31480	\$14.50	
4 Cushion, Upr Rad Supt	R	16523-AD010	\$4.80	
	L	16523-AD010	\$4.80	
5 Support, Lwr Radiator	R	16535-0A050	\$29.18	
	L	16535-0A050	\$29.18	
6 Seal, Upper Radiator		16561-0V010	\$5.60	
7 Seal, Lower Radiator		16562-0P020	\$5.14	
8 Hose, Upper Radiator	#.8	16571-0P190	\$16.19	
9 Hose, Lower Radiator	#1.3	16572-0P180	\$19.09	
#R&R Both 1.8				
10 Shroud, Fan				
w/Towing Pkg	#.5	16711-AD020	\$68.51	
w/o Towing Pkg	#.5	16711-AD010	\$68.51	
11 Computer, Cooling Fan				
w/Towing Pkg	#.5	89257-30070	\$337.90	
w/o Towing Pkg	#.5	89257-30060	\$308.89	
12 Seal, Side Radiator	R	16563-0P020	\$10.29	
	L	16563-0P020	\$10.29	
13 Fan, Cooling				
Right	R	#.5	16361-AD020	\$51.87
Left				

2010 Toyota Venza (none) Wagon

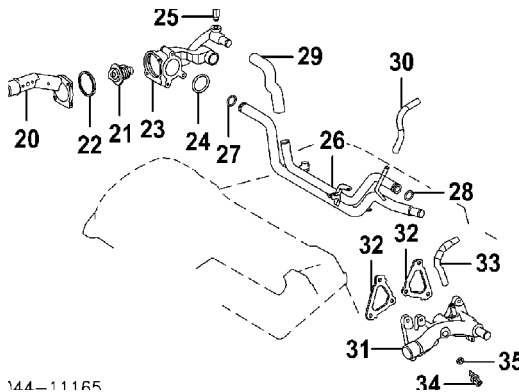
w/Towing Pkg	L	#.5	16361-AD030	\$71.69
w/o Towing Pkg	L	#.5	16361-AD010	\$51.87
14 Motor, Cooling Fan				
Right	R	#.5	16363-0P030	\$191.25
Left				
w/Towing Pkg	L	#.5	16363-0A150	\$193.74
w/o Towing Pkg	L	#.5	16363-0A120	\$191.25

#R&R Complete, w/Radiator Removed

15 Reservoir Assy, Coolant		.5	16470-0P030	\$43.32
16 Cap, Reservoir (a)			16471-AA010	\$5.41

(a) Included w/Coolant Reservoir Assy

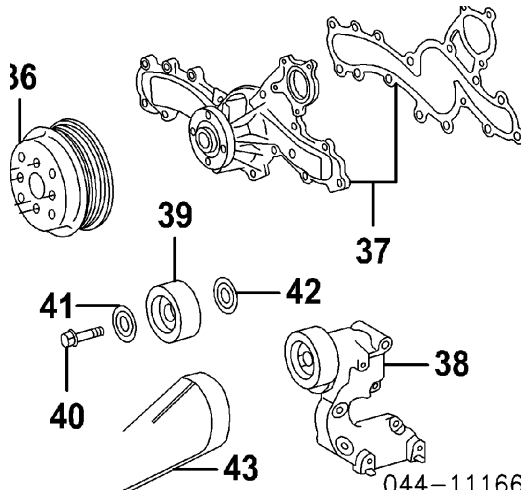
17 Hose, Reservoir		.3	16566-0P010	\$8.06
18 Clamp, Hose (2)			90469-12014	\$2.56
19 Bracket, Reservoir			16611-0P010	\$16.03



20 Inlet, Water (b)		#1.3	16321-31011	\$30.98
(b) Order by Application				
21 Thermostat		#1.3	90916-A3002	\$19.13
#R&R Complete				
22 Gasket, Thermostat			16325-62010	\$5.60
23 Housing, Water Inlet (b)		#2.4	16323-0P030	\$67.16
#Includes R&R Thermostat				
24 Gasket, Water Inlet (b)			16325-0P020	\$1.74
(b) Order by Application				
25 Valve, Drain			90910-09127	\$11.06
26 Pipe, Water Inlet				
w/Towing Pkg			16322-31030	\$78.45
w/o Towing Pkg				
Japan Sourced Part			16322-31010	\$72.05
Non-Japan Sourced Part			16322-0P010	\$72.05
O-Ring, Pipe				
27 Front			96761-24021	\$2.93

2010 Toyota Venza (none) Wagon

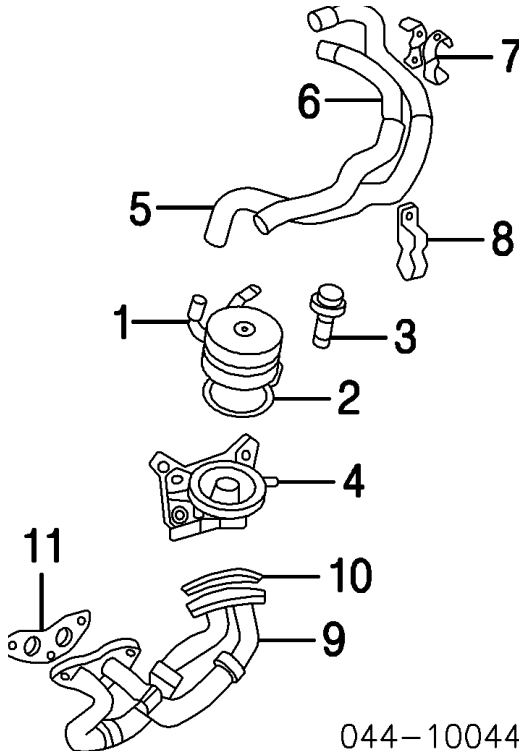
28	Rear Hose, By-Pass (b)	96761-24019	\$3.29
29	Front	16261-0P030	\$9.30
30	Rear (b) Order by Application	16267-0P020	\$5.97
31	Outlet, Water w/Towing Pkg	2.4 16331-31150	\$83.80
	w/o Towing Pkg	2.4 16331-0P010	\$57.73
32	Gasket, Water Outlet (2) Japan Sourced Part	16341-31010	\$6.26
	Non-Japan Sourced Part	16341-AD010	\$6.26
33	Hose, By-Pass	16264-0P031	\$5.97
34	Sensor, Water Temp	.7 89422-33030	\$63.30
35	Gasket, Sensor	90430-12005	\$1.03



36	Pulley, Water Pump	16173-31010	\$80.45
37	Pump Assy, Water-See Engine/Trans Section		
38	Tensioner, Belt	#1.0 16620-31040	\$232.64
39	Pulley, Idler #Includes R&R Drive Belt	#.9 16604-0P011	\$57.73
40	Bolt, Pulley Plate, Pulley	90105-A0126	\$1.35
41	Front	16659-AD010	\$2.37
42	Rear	16649-31020	\$2.34
43	Belt, Drive	.8 99367-C1550	\$40.95

2010 Toyota Venza (none) Wagon

ENGINE OIL COOLER



044-10044

1 Cooler, Eng Oil	4.5	15710-31021	\$845.59
2 O-Ring, Oil Cooler		90301-67004	\$4.37
3 Bolt, Union		15695-31010	\$14.38
4 Bracket, Oil Cooler		15781-31010	\$84.20
Hose, Oil Cooler			
5 No. 1	#.6	16282-31020	\$26.52
6 No. 2	#.6	16281-31030	\$20.30
#R&R Both .9			
7 Holder, Hose		90949-01993	\$6.92
8 Clamp, Hose		16581-31020	\$7.60
9 Pipe, Oil Cooler	#3.7	15767-31010	\$78.82
#w/Oil Cooler Removed Deduct 3.0			
10 Gasket, Oil Cooler		15785-31010	\$3.80
11 Gasket, Cooler Pipe		11496-31010	\$3.06

2010 Toyota Venza (none) Wagon

A/C REFRIGERANT CAPACITIES

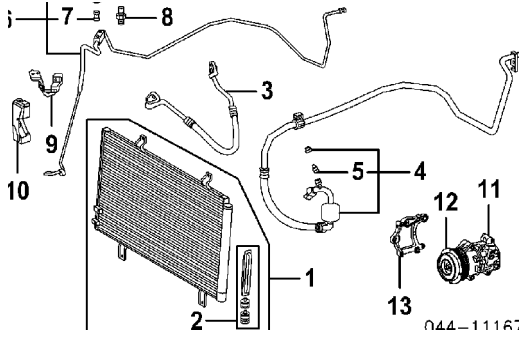
A/C R-134a Refrigerant Capacity

15.9-19.4 Ozs (0.99-1.21 Lbs), 450-550 g

2010 Toyota Venza (none) Wagon

A/C HEATER/VENTILATION

Procedure 6



R&I Condenser Assy

#1.0

#w/Grille Assy Removed

Evacuate & Recharge System

1.4

Recover Refrigerant

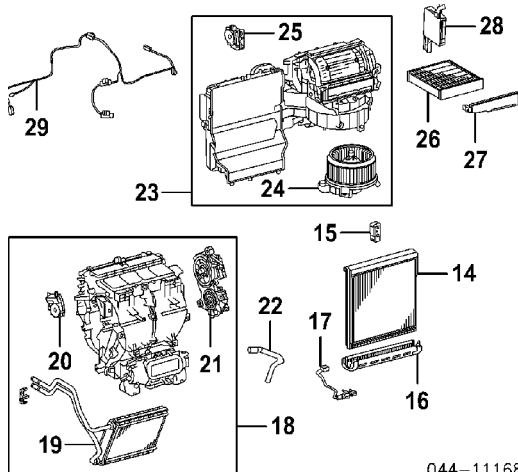
.3

NOTE: R&R Does Not include recover, evacuate and recharge system.

1 Condenser Assy	#1.0	88460-06210	\$254.19
#w/Grille Assy Removed			
2 Receiver/Drier¶	#.3	88474-17010	\$84.37
¶Included w/Condenser Assy			
#w/Condenser Assy Removed			
3 Hose, Discharge			
2.7L Eng	#1.1	88711-0T020	\$167.43
3.5L Eng	#1.1	88711-0T010	\$100.87
4 Hose Assy, Suction			
2.7L Eng	#1.3	88704-0T020	\$98.34
3.5L Eng	#1.3	88704-0T010	\$160.33
#R&R Both 1.6			
5 Valve, Service (a)		88374-30010	\$1.97
(a) Included w/Suction Hose Assy			
6 Pipe Assy, Condenser	1.7	88716-0T010	\$99.63
7 Valve, Service (b)	.5	88374-08010	\$13.55
(b) Included w/Condenser Pipe Assy			
8 Sensor, Pressure	.5	88719-33020	\$235.44
9 Bracket, Pipe		88688-0T010	\$23.18
10 Cover, Pipe		88891-07030	\$7.47
11 Compressor			
2.7L Eng	#2.2	88310-0T020	\$2,170.41

2010 Toyota Venza (none) Wagon

3.5L Eng	#2.2	88320-0T010	\$1,413.67
12 Clutch, Compressor			
2.7L Eng-Serviced w/Compressor			
3.5L Eng	#2.2	88410-33150	\$344.75
#R&R Complete, w/Radiator Removed			
13 Bracket, Compressor			
2.7L Eng		12502-36010	\$71.36
Belt, Drive-See Cooling Section			



044-1116F

14 Core, Evaporator	#1.5	88501-06112	\$276.27
15 Valve, Expansion		88515-07030	\$80.69
16 Cover, Evaporator Core		88899-06100	\$15.07
17 Thermistor, Evaporator		88620-06020	\$14.06
18 Heater Assy			
w/ATC	#1.5	87050-06511	\$996.97
w/o ATC	#1.5	87050-0T010	\$850.04
19 Core, Heater (c)	#1.4	87107-07030	\$345.61
20 Servo, Mode Damper (c)	#.6	87106-06250	\$299.80
21 Servo, Air Mix Damper (c)			
w/ATC	#.5	87106-07120	\$149.73
(c) Included w/Heater Assy			

#w/Instrument Panel Reinforcement Removed

22 Hose, Drain		88539-0T010	\$27.41
23 Blower Assy	#.8	87130-07071	\$531.72

#w/Instrument Panel Reinforcement Removed

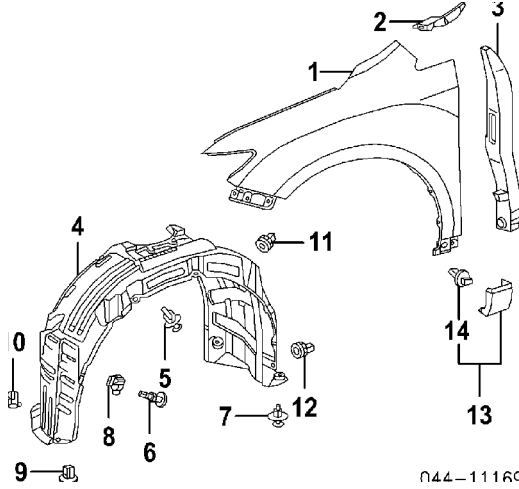
2010 Toyota Venza (none) Wagon

24 Motor & Fan, Blower (d)	1.3	87103-0E040	\$155.53
25 Servo, Blower (d)	#.4	87106-07140	\$149.73
(d) Included w/Blower Assy			
26 Filter, Fresh Air	.5	87139-07010	\$37.19
27 Plate, Air Filter Cover		88899-07010	\$1.34
28 Amplifier, A/C			
w/ATC			
2.7L Eng	#.3	88650-0T040	\$447.62
3.5L Eng	#.3	88650-0T010	\$447.62
w/o ATC			
2.7L Eng	#.3	88650-0T020	\$447.62
3.5L Eng	#.3	88650-0T030	\$447.62
#w/Instrument Panel Removed			
29 Harness, A/C			
w/ATC		82212-06121	\$161.60
w/o ATC		82212-06111	\$17.43
Control, A/C /Heater-See Center Console Section			

2010 Toyota Venza (none) Wagon

FRONT FENDER

Procedures 7 and 28



Refinish Fender Outside

R 2.0
L 2.0

Add for Edge

R .5
L .5

R&I Fender

R #2.4
L #2.4

#Includes R&I Front Cover, R&I/R&R Combination Lamp Assy & Fender Liner

1 Fender	R #2.6	53811-0T020	\$286.42
	L #2.6	53812-0T020	\$286.42

#Includes R&I Front Cover, R&I/R&R Combination Lamp Assy & Fender Liner

2 Seal, Upper Fender	R .2	53866-0T010	\$23.29
	L .2	53867-0T010	\$23.29
3 Seal, Rear Fender	R .2	53882-0T010	\$29.95
	L .2	53883-0T010	\$29.95
4 Liner, Fender	R .4	53875-0T010	\$88.85
	L .4	53876-0T010	\$88.85

Clip, Liner

5 Upper, (3/Side)	R	90467-07166	\$1.09
	L	90467-07166	\$1.09
6 Front	R	47749-58010	\$1.00
	L	47749-58010	\$1.00

7 Clip, Rocker Mldg-See Rocker/Pillars/Floor Section

8 Retainer, Liner	R	53879-58010	\$4.23
	L	53879-58010	\$4.23

Grommet, Screw

2010 Toyota Venza (none) Wagon

Front				
9	Outer	R	90189-06006	\$1.20
		L	90189-06006	\$1.20
10	Inner	R	90189-06193	\$0.83
		L	90189-06193	\$0.83
Rear				
11	Upper, (3/Side)	R	90189-06104	\$1.44
		L	90189-06104	\$1.44
12	Lower, (3/Side)	R	90189-06177	\$0.83
		L	90189-06177	\$0.83
13	Moulding Assy, Lower Fender	R #.2	75601-0T900	\$29.95
		L #.2	75602-0T900	\$29.95
#Included in R&I/R&R Fender				
14	Clip, Moulding (2/Side)¶	R	75395-0T010	\$5.49
		L	75395-0T010	\$5.49

¶Included w/Lower Fender Moulding Assy

2010 Toyota Venza (none) Wagon

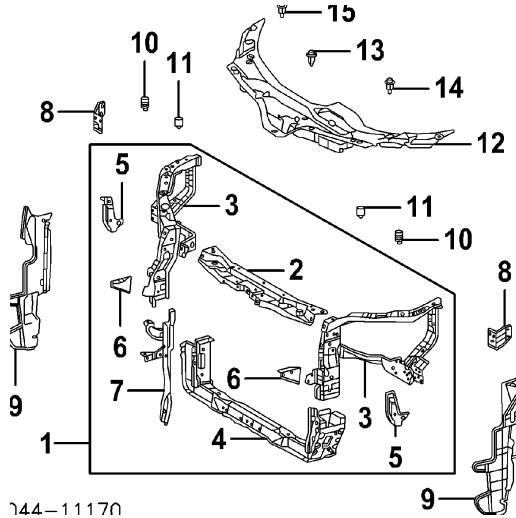
UNDERHOOD DIMENSIONS

2010 Toyota Venza (none) Wagon

FRONT INNER STRUCTURE

Procedures 8 and 28

FRONT



Refinish Radiator Support Assy Complete		1.5		
Refinish Upper Tie Bar		.5		
Refinish Outer Support	R	.5		
	L	.5		
Refinish Lower Tie Bar		.5		
1 Support Assy, Radiator		#11.6	53210-0T010	\$594.03

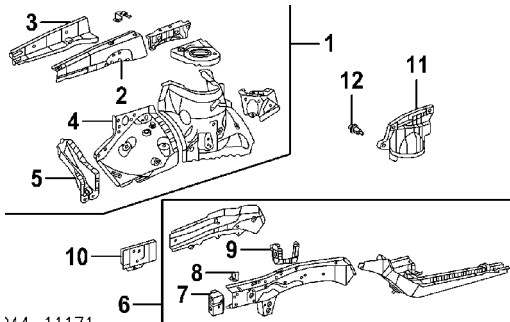
#Includes R&I Front Cover, Combination Lamp Assemblies, R&I/R&R Radiator, Cooling Fan, Shroud & Motor as an Assy, Hood Latch Assy, Hood Support Rod, Coolant Reservoir Assy, Washer Tank Assy, Battery, Battery Tray, Engine Under Covers, Horns, Bumper Reinforcement, Disconnect & Connect Hood Release Cable, Wiring &/or Harness as Necessary

2 Bar, Upper Tie¶		1.5	53216-0T010	\$84.14
3 Support, Outer¶	R	2.5	53202-0T010	\$107.02
	L	2.5	53203-0T010	\$107.02
4 Bar, Lower Tie¶		2.5	57104-07021	\$254.04
5 Arm, Frt Bumper¶	R		52141-0T010	\$19.32
	L		52142-0T010	\$19.32
6 Bracket, Front Bumper¶	R		52145-0T010	\$13.43
	L		52146-0T010	\$13.43
7 Support, Hood Latch¶		.5	53208-0T010	\$41.63
¶Included w/Radiator Support Assy				
8 Bracket, Front Fender	R	.2	53833-0T010	\$18.69
	L	.2	53834-0T010	\$18.69

2010 Toyota Venza (none) Wagon

9	Deflector, Rad Side	R	.2	53293-0T010	\$51.79
		L	.2	53294-0T010	\$51.79
	Cushion, Hood				
10	Outer	R		90541-15004	\$4.80
		L		90541-15004	\$4.80
11	Inner	R		90541-09125	\$2.31
		L		90541-09125	\$2.31
12	Seal, Air Guide				
	To 12-08		.3	53295-0T011	\$123.49
	From 12-08		.3	53295-0T011	\$123.49
	Clip, Seal				
13	Front, (3)			90467-07201	\$1.38
14	Outer, (2/Side)	R		90467-10210	\$1.67
		L		90467-10210	\$1.67
15	Inner, (5)			90467-07117	\$1.12

SIDE



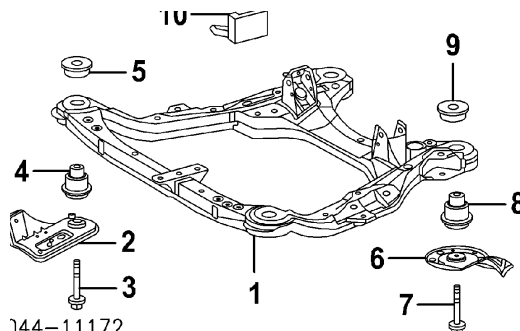
Refinish Apron Assy	R	1.0
	L	1.0
Refinish Upper Apron Rail	R	.5
	L	.5
Refinish Front Apron Panel	R	.5
	L	.5
Refinish Gusset	R	.5
	L	.5
Refinish Front Sidemember Assy	R	1.0
	L	1.0
Refinish Sidemember Extension	R	.5
	L	.5
Section Sidemember	R	4.5
	L	4.5

NOTE: Refer to Manufacturer's Service Manual for sectioning procedures.

2010 Toyota Venza (none) Wagon

1 Apron Assy (HSS)	R	5.7	53701-0T010	\$377.79
	L	5.7	53702-0T010	\$377.79
2 Rail, Upper Apron¶	R	#3.5	53731-0T901	\$58.42
	L	#3.5	53732-0T901	\$58.42
3 Rail, Lower Apron¶	R	#3.5	53733-0T010	\$48.61
	L	#3.5	53734-0T010	\$48.61
#R&R One Side Complete				
4 Panel, Front Apron¶	R	4.5	53711-0T010	\$75.22
	L	4.5	53712-0T010	\$60.53
5 Gusset, Front Apron¶	R	1.5	53707-0T010	\$41.98
	L	1.5	53738-0T010	\$38.84
¶Included w/Apron Assy				
6 Sidemember Assy, Front (HSS)	R	9.0	57101-0T010	\$1,115.92
	L	9.0	57102-0T010	\$1,175.37
7 Reinf, Front Bumper Mtg (HSS) (a)	R	.5	57117-06030	\$55.96
	L	.5	57118-06030	\$55.96
8 Gusset, Sidemember (HSS) (a)	R	.5	57167-06010	\$6.06
9 Reinf, Sidemember (HSS) (a)	R	.5	57155-06010	\$27.32
	L	.5	N.A.	
(a) Included w/Front Sidemember Assy				
10 Extension, Sidemember	R	1.5	57107-06011	\$55.62
	L	1.5	57108-06011	\$55.62
11 Seal, Apron	R		53736-07021	\$51.07
	L		53737-06040	\$37.44
12 Clip, Seal	R		90467-08180	\$1.75
	L		90467-08180	\$1.75

SUB-FRAME

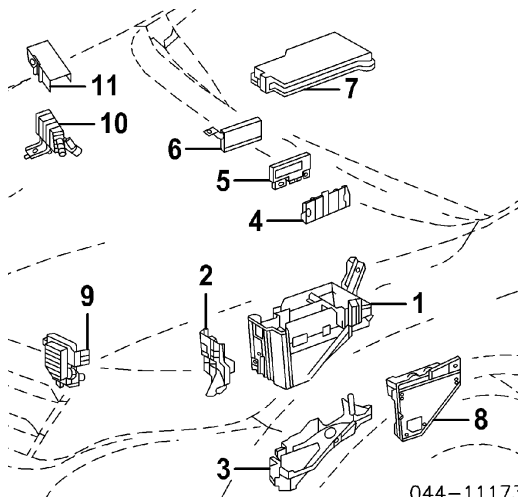


1 Sub-Frame		#9.6	51100-0T010	\$1,458.73
#w/AWD Add .8				
2 Plate, Side Rail	R		51035-0T010	\$69.62

2010 Toyota Venza (none) Wagon

	L	51036-0T010	\$69.62
3 Bolt, Front Sub-Frame	R	90080-11638	\$18.16
	L	90080-11638	\$18.16
4 Cushion, Front Sub-Frame	R	52211-0E010	\$72.33
	L	52211-0E010	\$72.33
5 Stopper, Front Upper	R	52213-0E010	\$36.32
	L	52213-0E010	\$36.32
6 Bracket, Rear Sub-Frame	R	51023-0T010	\$55.62
	L	51024-0T010	\$55.62
7 Bolt, Rear Sub-Frame	R	90080-11638	\$18.16
	L	90080-11638	\$18.16
8 Cushion, Rear Sub-Frame	R	52215-08020	\$90.25
	L	52217-08010	\$84.65
9 Stopper, Rear Upper	R	52216-08020	\$33.21
	L	52216-08020	\$33.21
10 Damper, Dynamic	R	51227-08010	\$86.77

ELECTRICAL COMPONENTS



Harness Assy, Engine Compartment¶	82111-0T040	\$2,509.26
-----------------------------------	-------------	------------

¶Order by Application

Block, Eng Room Relay (a)

1 No. 1	82741-0T010	\$104.94
2 No. 2	82741-0T030	\$26.41
3 Cover, Lower Relay Block (a)	82663-0T010	\$39.18
4 Cover, Upper Relay Block (a)	.1 82661-48050	\$7.09
Block, Fusible Link (a)		
5 No. 1	82620-48090	\$21.81
6 No. 2	82620-48100	\$21.81

2010 Toyota Venza (none) Wagon

(a) Included w/Engine Compartment Harness Assy

Harness, Front Lamp-Serviced w/Engine Compartment Harness Assy

Cable, Positive Battery-Serviced w/Engine Compartment Harness Assy

Harness, Engine Wiring

2.7L Eng	82121-0T040	\$909.18
3.5L Eng¶	82121-0T030	\$1,162.69
¶Order by Application		

Cable, Negative Battery-Serviced w/Engine Wiring
Harness

7 Cover, Upper Fuse Block

2.7L Eng	.1 82662-0T030	\$43.73
3.5L Eng¶	.1 82662-0T020	\$43.73
¶Order by Application		

8 Block, Junction

2.7L Eng	82720-0T020	\$194.48
3.5L Eng	82720-0T010	\$194.48

9 Computer, Cooling Fan-See Cooling Section

10 Resistor, Fuel Pump

3.5L Eng	.3 23080-31131	
----------	----------------	--

11 Cover, Relay Upr

.1 23289-31010	\$13.15
----------------	---------

2010 Toyota Venza (none) Wagon

AIR BAG SYSTEM

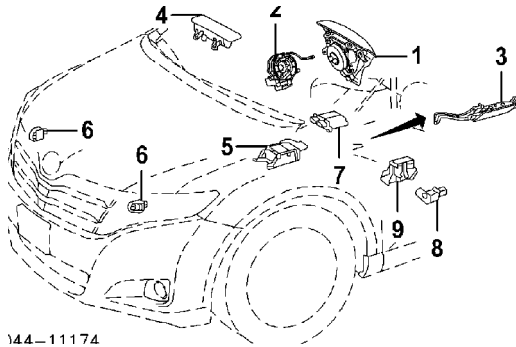
Procedure 30

NOTE 1: R&R Does Not include disable and enable or diagnose Air Bag System.

NOTE 2: Refer to Procedural Explanation 30 for Supplemental Restraint/Air Bag System Component Inspection and Replacement Information.

NOTE 3: For Air Bag System Service procedures, refer to Manufacturer's Service Repair Manual or Mitchell's Air Bag Service and Repair Manual.

FRONT



144-11174

Disable & Enable Air Bag System

.3

Diagnose Air Bag System (If Required)

#.5

#Includes Disconnect & Connect Scan Tool & Retrieve/Clear Trouble Codes

Add to Initialize Occupant Detection ECU

.4

1 Module, Driver Air Bag	.4	45130-0T010-C0	\$719.34
2 Cable, Spiral	1.0	84307-0T010	\$566.71
3 Module, Driver Knee Air Bag			
Gray	.7	73900-0T010-A0	\$843.04
Ivory	.7	73900-0T010-B0	\$843.04
4 Module, Passenger Air Bag	#.8	73960-0T010	\$757.50
#w/Instrument Panel Removed			
Harness, Passenger Air Bag		82140-06010	\$11.63
5 Sensor, Air Bag	#.5	89170-0T010	\$126.10
#w/Center Console Removed			
6 Sensor, Front Air Bag	R #.3	89173-09540	\$66.35

2010 Toyota Venza (none) Wagon

L #.3 89173-09540 \$66.35

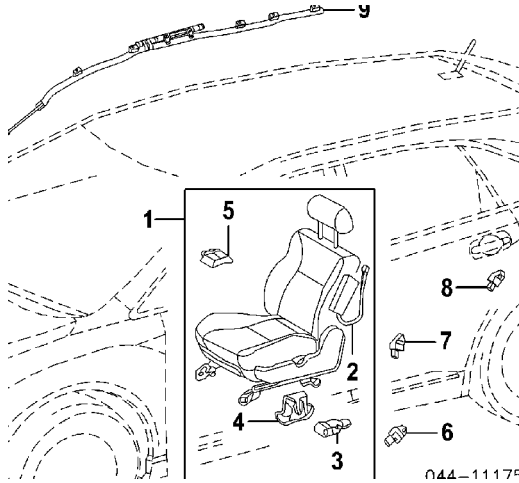
#w/Grille Removed

7 Module, OPDS-See Side Section

8 Sensor, Seat Position-See Side Section

9 Protector, Sensor-See Side Section

SIDE



Disable & Enable Air Bag System

.3

Diagnose Air Bag System (If Required)

#.5

#Includes Disconnect & Connect Scan Tool & Retrieve/Clear Trouble Codes

1 Seat Assy, Front

Driver Side

Cloth

Gray

.5 71200-0T010-B4 \$3,955.78

Ivory

.5 71200-0T010-A4 \$3,955.78

Leather

Heated

Gray

.5 71200-0T020-B1 \$5,207.99

Ivory

.5 71200-0T020-A1 \$5,207.99

Non-Heated

Gray

.5 71200-0T030-B1 \$4,838.01

Ivory

.5 71200-0T030-A1 \$4,838.01

Passenger Side

Cloth

Gray

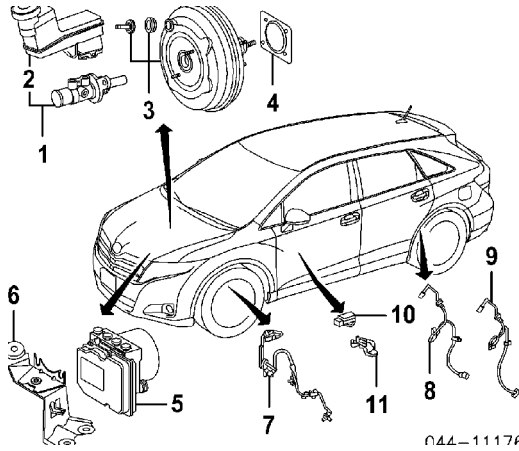
.5 71100-0T010-B3 \$3,158.95

2010 Toyota Venza (none) Wagon

Ivory			.5	71100-0T010-A3	\$3,158.95
Leather					
Heated					
Gray			.5	71100-0T020-B0	\$4,980.31
Ivory			.5	71100-0T020-A0	\$4,980.31
Non-Heated					
Gray			.5	71100-0T030-B0	\$4,496.52
Ivory			.5	71100-0T030-A0	\$4,496.52
2 Module, Seat Air Bag-Serviced w/Front Seat Assy¶					
3 Sensor, Seat Position¶					
Cloth Seats	L	#.4		89178-06030	\$70.65
Leather Seats	L	#.4		89178-06040	\$70.65
#w/Seat Assy Removed					
4 Protector, Sensor¶					
Cloth Seats	L			72277-06020	\$7.77
Leather Seats	L			72277-06010	\$7.09
5 Module, OPDS¶	R	#.4		89952-35011	\$356.82
¶Included w/Front Seat Assy					
#w/Seat Removed					
Pretensioner, Seat Belt-See Seat Belts Section					
6 Sensor, Door Side Air Bag	R	#.4		89831-0T020	\$119.78
	L	#.4		89831-0T020	\$119.78
#w/Door Trim Panel Removed					
7 Sensor, Frt Side Air Bag	R	#.3		89831-0T030	\$119.78
	L	#.3		89831-0T030	\$119.78
#w/Center Pillar Trim Removed					
8 Sensor, Rear Side Air Bag	R	#.4		89831-0T010	\$173.88
	L	#.4		89831-0T010	\$173.88
#w/Necessary Trim Removed					
9 Module, Side Curtain Air Bag	R	#1.0		62170-0T010	\$769.59
	L	#1.0		62180-0T010	\$769.59
#w/Headliner Removed					

2010 Toyota Venza (none) Wagon

ABS/BRAKES



Bleed Brake System

.6

NOTE: R&R Does Not include bleed brake system.

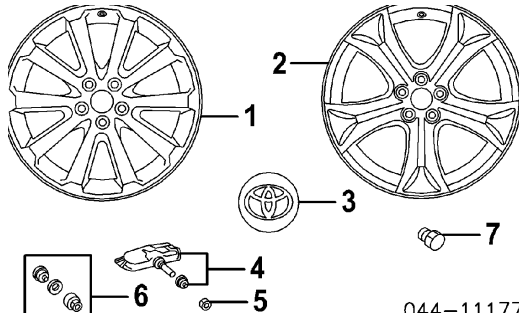
1	Cylinder Assy, Brake Master		1.0	47201-0T010	\$219.66
2	Reservoir, Brake Master Cyl¶		.5	47220-0T010	\$107.03
	¶Included w/Brake Master Cylinder Assy				
3	Booster, Brake		#2.3	44610-0T010	\$608.69
	#Includes R&R Brake Master Cylinder				
4	Gasket, Brake Booster			44785-07010	\$4.83
5	Actuator, ABS Brake		1.5	44050-0T012	\$2,275.21
6	Bracket, Actuator		#.3	44590-0T010	\$41.64
	#w/Actuator Removed				
7	Sensor, Front Speed	R	.9	89542-0T010	\$215.66
		L	.9	89543-0T010	\$215.66
8	Harness, Skid Control Sensor				
	FWD	R		89516-0T010	\$31.04
		L		89516-0T020	\$31.04
9	Sensor, Rear Speed				
	AWD	R	#1.3	89545-0T010	\$215.66
		L	#1.3	89546-0T010	\$215.66
	#R&R Both Sides 2.0				
10	Sensor, Yaw Rate		#.7	89183-0T010	\$717.12
	#w/Center Console Removed				
11	Bracket, Sensor			89189-0T010	\$17.66

2010 Toyota Venza (none) Wagon

WHEEL

Procedure 10

ALLOY WHEEL

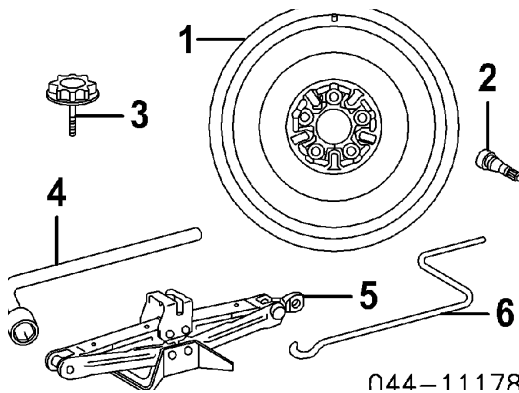


Add to R&I Spare Wheel & Tire Assy

.2

Wheel, Alloy		
1 19x7-1/2"	.3	42611-0T020 \$541.96
2 20x7-1/2"	.3	4261A-0T020 \$593.00
3 Cap, Center		
19" Wheels		42603-AC040 \$14.26
20" Wheels		42603-08020 \$24.86
		42607-06011
4 Valve, Tire Pressure Monitor		\$101.03
5 Cap, Valve Stem		90942-A5002 \$1.86
6 Fitting Kit, Valve Stem		04423-0E010 \$6.77
7 Nut, Lug		90084-94001 \$3.12

SPARE WHEEL & HARDWARE



1 Wheel, Steel		42611-0T030 \$106.38
2 Stem, Valve		90080-45006 \$9.49
3 Retainer, Spare		51931-0T010 \$10.35
4 Wrench, Lug		09150-02020 \$37.95
5 Jack		09111-AA010 \$156.53

2010 Toyota Venza (none) Wagon

6 Handle, Jack

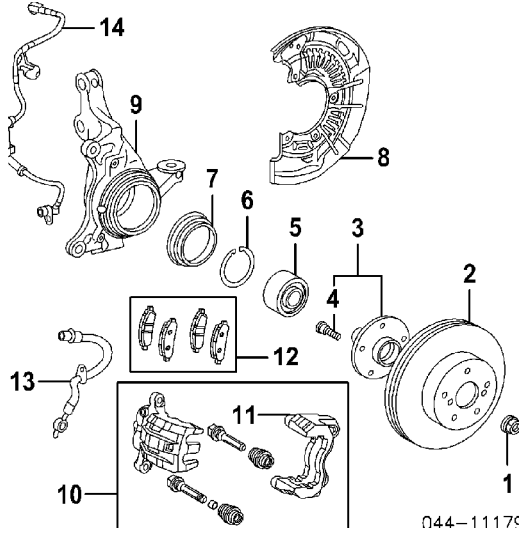
09113-AE011

\$18.55

2010 Toyota Venza (none) Wagon

FRONT SUSPENSION

Procedure 11



R&I Suspension (One Side)

R	2.5
L	2.5

O/H Suspension (Includes R&I)

O/H One Side (Includes R&I)

R	3.6
L	3.6

O/H Both Sides (Includes R&I)

6.8

Adjust Four Wheel Alignment

2.4

Bleed Brake System

.6

NOTE 1: R&I/R&R or O/H Does Not include alignment or bleed brake system.

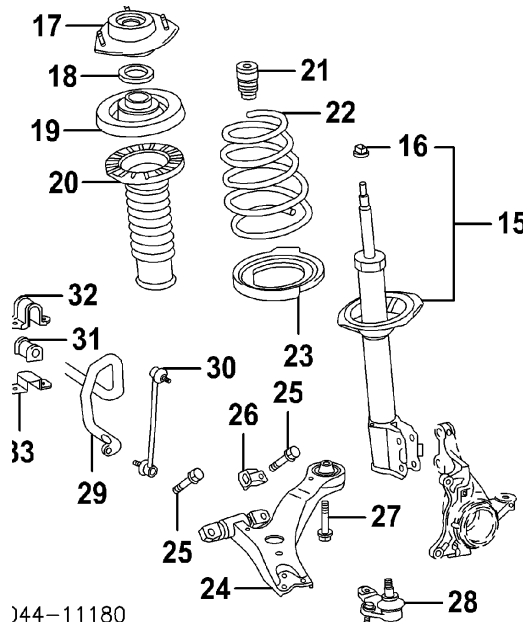
NOTE 2: All Parts in this section are included in overhaul unless noted otherwise.

1 Nut, Axle Lock	R		90080-17238	\$6.57
	L		90080-17238	\$6.57
2 Rotor, Brake	R	#.6	43512-0T010	\$111.22
	L	#.6	43512-0T010	\$111.22
#R&R Both Sides 1.0				
3 Hub Assy	R	#2.2	43502-AA021	\$138.13
	L	#2.2	43502-AA021	\$138.13
4 Bolt, Hub (5/Side)¶	R		90942-02049	\$3.60
	L		90942-02049	\$3.60
¶Included w/Hub Assy				
5 Bearing, Hub	R	#2.2	90080-36193	\$73.76

2010 Toyota Venza (none) Wagon

	L	#2.2	90080-36193	\$73.76
6 Ring, Snap	R	#2.2	90520-77001	\$5.63
	L	#2.2	90520-77001	\$5.63
7 Deflector, Dust	R	#2.2	43246-73010	\$13.95
	L	#2.2	43246-73010	\$13.95
8 Shield, Splash	R	#2.2	47703-0T010	\$29.49
	L	#2.2	47704-0T010	\$29.49
9 Knuckle, Steering	R	#2.2	43211-0T010	\$316.86
	L	#2.2	43212-0T010	\$316.86
#R&R One Side Complete, Includes R&R Brake Rotor, R&R Both Sides 4.2				
10 Caliper Assy, Brake	R	#.5	47730-0T010	\$471.56
	L	#.5	47750-0T010	\$471.56
11 Bracket, Caliper Mounting (a)	R	#.5	47721-0T010	\$142.38
	L	#.5	47721-0T010	\$142.38
(a) Included w/Brake Caliper Assy				
#R&R One Side Complete, R&R Both Sides .8				
12 Pad Set, Brake		#1.0	04465-0T010	\$62.99
#Deduct .5 for Each Caliper Removed				
13 Hose, Brake	R	#.3	90947-A2033	\$53.53
	L	#.3	90947-A2034	\$53.53
#w/Caliper Removed Deduct .2				
14 Sensor, Front Speed-See ABS/Brakes Section				

2010 Toyota Venza (none) Wagon



)44-11180				
15	Strut Assy			
	FWD			
	2.7L Eng	R	#1.7	48510-A9870 \$147.90
		L	#1.7	48520-A9560 \$147.90
	3.5L Eng	R	#1.7	48510-A9760 \$147.90
		L	#1.7	48520-A9450 \$147.90
	AWD			
	2.7L Eng	R	#1.7	48510-A9880 \$147.90
		L	#1.7	48520-A9570 \$147.90
	3.5L Eng	R	#1.7	48510-A9780 \$147.90
		L	#1.7	48520-A9470 \$147.90
16	Nut, Strut (b)	R	#1.7	90080-17217 \$2.82
		L	#1.7	90080-17217 \$2.82
	(b) Included w/Strut Assy			
17	Support, Strut	R	#1.7	48609-06190 \$81.39
		L	#1.7	48609-06190 \$81.39
18	Bearing, Strut	R	#1.7	90903-63014 \$35.52
		L	#1.7	90903-63014 \$35.52
19	Seat, Upper Spring	R	#1.7	48471-0T010 \$33.24
		L	#1.7	48471-0T010 \$33.24
20	Insulator, Upper Spring	R	#1.7	48157-0E010 \$25.78
		L	#1.7	48157-0E010 \$25.78
21	Bumper, Spring	R	#1.7	48331-0T010 \$13.58
		L	#1.7	48331-0T010 \$13.58
22	Spring, Coil			
	FWD			
	2.7L Eng	R	#1.7	48131-0T010 \$84.28

2010 Toyota Venza (none) Wagon

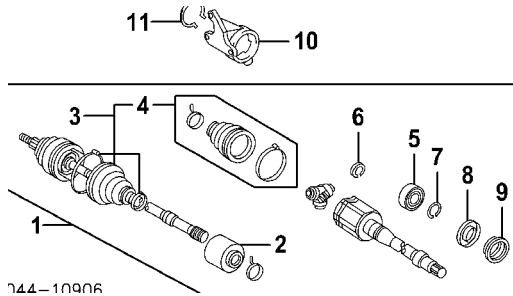
	L	#1.7	48131-0T010	\$84.28
3.5L Eng	R	#1.7	48131-0T030	\$87.19
	L	#1.7	48131-0T030	\$87.19
AWD				
2.7L Eng	R	#1.7	48131-0T020	\$84.28
	L	#1.7	48131-0T020	\$84.28
3.5L Eng	R	#1.7	48131-0T040	\$87.19
	L	#1.7	48131-0T040	\$87.19
23 Insulator, Lower Spring	R	#1.7	48158-48030	\$28.29
	L	#1.7	48158-48030	\$28.29
#R&R One Side Complete, w/Steering Knuckle Removed Deduct 1.0, R&R Both Sides 3.2				
24 Arm, Lower Control	R	#8.3	48068-0T011	\$164.10
	L	#8.3	48069-0T011	\$164.10
#w/AWD Add .8, R&R Both Sides 9.0, Includes R&I Engine/Trans Assy, Not Included in O/H				
25 Bolt, Front Arm (2/Side)	R		90080-10376	\$11.90
	L		90080-10376	\$11.90
26 Stopper, Lower Control Arm	R		48657-06010	\$8.92
	L		48657-06010	\$8.92
27 Bolt, Rear Arm	R		90080-11644	\$11.90
	L		90080-11644	\$11.90
28 Ball Joint, Lower	R	#.9	43330-09780	\$62.55
	L	#.9	43340-09140	\$62.55
#w/Steering Knuckle Removed Deduct .5				
29 Bar, Stabilizer				
FWD		#3.2	48811-0T010	\$136.92
#Includes R&I Steering Gear Assy, Not Included in O/H				
AWD		#1.6	48811-0T020	\$133.58
#w/Engine/Trans Assy Removed, Includes R&I Steering Gear Assy, Not Included in O/H				
30 Link, Stabilizer Bar	R	#.4	48820-06040	\$72.42
	L	#.4	48820-06040	\$72.42
31 Bushing, Stabilizer Bar	R	#	48815-0T010	\$13.18
	L	#	48815-0T010	\$13.18
32 Clamp, Bushing	R	#	48824-0T010	\$26.61
	L	#	48824-0T010	\$26.61
33 Bracket, Stabilizer Bar	R	#	48827-0T010	\$16.69
	L	#	48827-0T010	\$16.69

2010 Toyota Venza (none) Wagon

#Included in R&R Stabilizer Bar, Not Included in O/H

2010 Toyota Venza (none) Wagon

FRONT DRIVE AXLE



744-10906

R&I Axle Shaft Assy

R #.4
L #.4

#w/Necessary Suspension Components Removed

Nut, Axle-See Front Suspension Section

1 Shaft Assy, Axle

FWD

2.7L Eng

R #.4 43410-0T020 \$584.24
L #.4 43420-0T020 \$486.55

3.5L Eng

R #.4 43410-0T010 \$586.25
L #.4 43420-0T010 \$488.54

AWD

2.7L Eng

R #.4 43410-0T040 \$584.24
L #.4 43420-0T020 \$486.55

3.5L Eng

R #.4 43410-0T030 \$586.25
L #.4 43420-0T010 \$488.54

w/Necessary Suspension Components Removed

2 Damper, Shaft¶

R 43474-0W030 \$53.87
L 43474-06090 \$74.16

3 Boot Kit, Outer/Inner¶

2.7L Eng

R #.8 04427-0T030 \$38.05
L #.8 04427-0T030 \$38.05

3.5L Eng

R #.8 04428-0E060 \$38.05
L #.8 04428-0E060 \$38.05

#w/Axle Shaft Assy Removed

4 Boot, Inner (a)¶

2.7L Eng

R 04437-0T030 \$23.78
L 04437-0T030 \$23.78

3.5L Eng

R 04438-08130 \$23.78
L 04438-08130 \$23.78

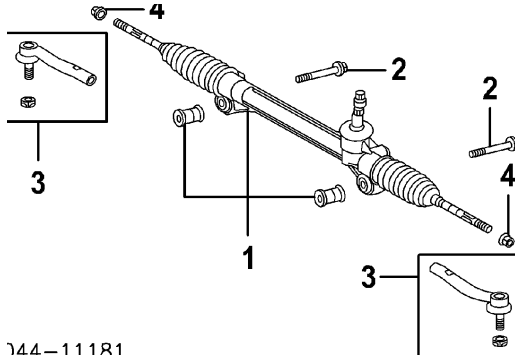
2010 Toyota Venza (none) Wagon

(a) Included w/Outer/Inner Boot Kit

5 Bearing, Shaft¶				
FWD	R	#.6	90080-36133	\$28.07
AWD	R	#.6	90363-36006	\$24.58
6 Ring, Snap Outer¶	R		43425-08040	\$0.66
	L		43425-08040	\$0.66
7 Ring, Snap Inner¶				
FWD	R		90080-52013	\$1.83
	L		90080-52017	\$1.83
AWD	R		90080-52054	\$1.00
	L		90080-52017	\$1.83
8 Cover, Outer Dust¶				
FWD	R		43458-06020	\$15.26
9 Cover, Inner Dust¶	R		41336-06020	\$23.69
	L		41336-06060	\$23.69
¶Included w/Axle Shaft Assy				
10 Bracket, Bearing				
FWD				
2.7L Eng	R	#.6	43457-0T010	\$78.71
#R&R Complete, w/Axle Shaft Assy Removed				
11 Ring, Retainer				
FWD	R		90521-78002	\$3.17
AWD	R		90521-73001	\$1.86

2010 Toyota Venza (none) Wagon

FRONT STEERING LINKAGE/GEAR



744-111R1

R&I Steering Gear Assy

FWD

AWD

2.8
#1.2

#w/Engine/Trans Assy Removed

NOTE: R&I/R&R Does Not include adjust wheel alignment.

1 Gear, Steering

FWD

3.2 45510-0T010

\$860.53

AWD

#1.6 45510-0T010

\$860.53

#w/Engine/Trans Assy Removed

2 Bolt, Gear Mounting

R

90080-11597

\$7.20

L

90080-11597

\$7.20

3 End, Tie Rod

R

.4 45460-09180

\$91.36

L

.4 45470-09020

\$91.36

4 Nut, Tie Rod

R

90178-A0013

\$1.35

L

90178-A0013

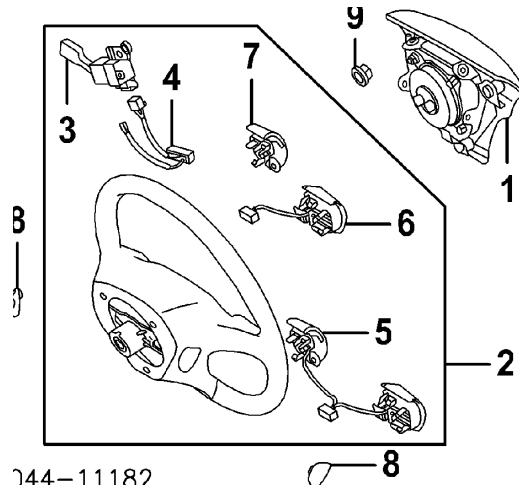
\$1.35

2010 Toyota Venza (none) Wagon

STEERING WHEEL/COLUMN

NOTE: All Parts in this section are included in overhaul unless noted otherwise.

WHEEL & TRIM



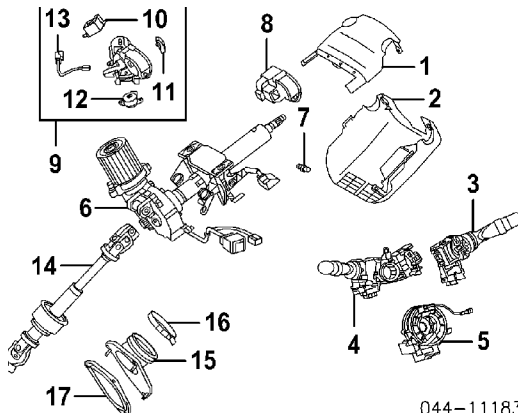
1	Module, Driver Air Bag-See Air Bag System Section		
2	Wheel Assy, Steering		
	Leather		
	w/Bluetooth		
	2.7L Eng	.8	45100-0T070-C0 \$995.69
	3.5L Eng	.8	45100-0T080-C0 \$997.46
	w/o Bluetooth		
	2.7L Eng	.8	45100-0T050-C0 \$983.40
	3.5L Eng	.8	45100-0T060-C0 \$985.17
	Urethane		
	w/Bluetooth		
	2.7L Eng	.8	45100-0T030-C0 \$567.22
	3.5L Eng	.8	45100-0T040-C0 \$567.22
	w/o Bluetooth		
	2.7L Eng	.8	45100-0T010-C0 \$554.93
	3.5L Eng	.8	45100-0T020-C0 \$554.93
3	Switch, Cruise Control¶	.4	84632-08021 \$101.80
4	Harness, Cruise Cont Switch¶		84633-0E020 \$14.32
	Switch, Radio¶		
5	w/Bluetooth	.3	84250-0T010 \$225.64
6	w/o Bluetooth	.3	84247-0T010 \$200.80
7	Cover, Wheel Trim¶		
	w/o Bluetooth		45116-0T010 \$24.81

2010 Toyota Venza (none) Wagon

¶Included w/Steering Wheel Assy

8 Cover, Wheel Side	R	45186-0T010-C0	\$2.37
	L	45187-0T010-C0	\$2.97
9 Nut, Steering Wheel		90080-17234	\$2.82

COLUMN TILT



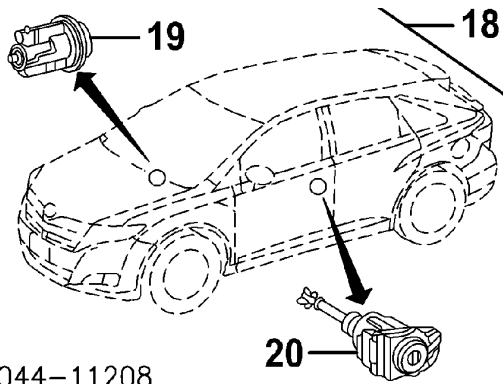
R&I Steering Column Assy			1.8
O/H Steering Column Assy (Includes R&I)			3.8

1 Cover, Upper Column	#.5	45286-0T010-C0	\$48.27
2 Cover, Lower Column			
w/Push Button Start	#.5	45287-0T010-C0	\$74.85
w/o Push Button Start	#.5	45287-0T020-C0	\$74.85
#R&R Complete			
3 Switch, Wiper	1.2	84652-0E050	\$191.71
4 Switch, Headlamp			
w/HID H/Lamps	1.2	84140-0T080	\$134.67
w/o HID H/Lamps	1.2	84140-0T070	\$121.03
5 Cable, Spiral-See Air Bag System Section			
6 Column, Upper Steering			
w/Push Button Start	2.8	45250-0T050	\$1,273.34
w/o Push Button Start	2.8	45250-0T060	\$1,273.34
7 Bolt, Steering Lock		45897-08010	\$4.20
8 Actuator, Lock			
w/Push Button Start	1.5	45020-0T010	\$292.46
9 Bracket Assy, Column		45020-02290	\$398.07
10 Solenoid, Inter-Lock¶		85432-71010	\$68.76
11 Switch, Un-Lock Warning¶		84052-71010	\$53.53
12 Switch, Ignition¶	1.0	84450-12200	\$90.60
13 Wire, Immobilizer¶		82291-02020	\$2.94

2010 Toyota Venza (none) Wagon

¶Included w/Column Bracket Assy

14 Shaft, Lower Column	.8 45220-0T010	\$254.02
15 Shield, Column Hole	45254-0T010	\$21.55
16 Clamp, Cover	90460-81007	\$5.92
17 Cover, Column Hole	45253-0T010	\$13.12



044-11208

18 Lock Set, Complete			
w/Push Button Start	#	69005-0T020	\$143.07
w/o Push Button Start			
w/Power Liftgate	#	69005-0T030	\$202.78
w/o Power Liftgate	#	69005-0T010	\$202.78
#Not Included in O/H			
19 Cylinder, Ignition Lock (a)			
w/Power Liftgate	.7	69057-02350	\$100.00
w/o Power Liftgate	.7	69057-02150	\$100.00
20 Cylinder, Door Lock (a)-See Front Door Section			

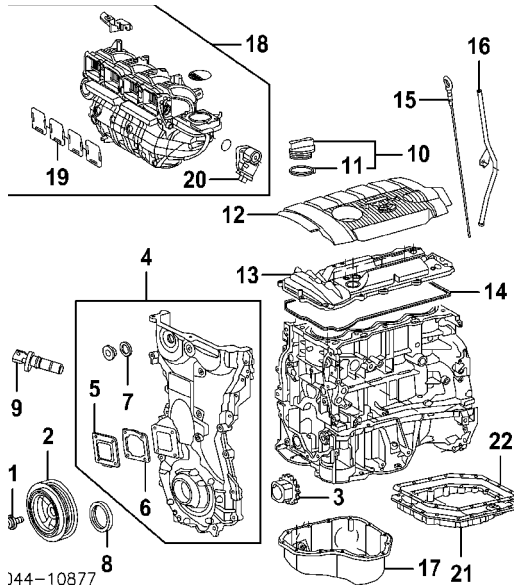
(a) Included w/Complete Lock Set

2010 Toyota Venza (none) Wagon

ENGINE/TRANSMISSION

Procedure 12

2.7L ENG



R&I Engine/Trans Assy

FWD

7.4

AWD

8.2

1 Bolt, Pulley		90119-16020	\$6.77
2 Pulley, Crankshaft		.8 13470-36010	\$248.12
3 Gear, Crankshaft		13521-36010	\$15.20
4 Cover Assy, Timing Chain	#4.2	11310-36020	\$360.30
#Includes R&R Crankshaft Pulley			
5 Plate, Timing Cover Up¶ Gasket, Timing Cover¶		11324-36010	\$8.49
6 No. 1		11328-0V010	\$10.20
7 No. 2		11329-36010	\$5.46
¶Included w/Timing Chain Cover Assy			
8 Seal, Oil		90311-A0015	\$7.23
9 Sensor, Crankshaft Position-See Electrical Section			
10 Cap Assy, Oil Filler		12180-0H031	\$9.97
11 Gasket, Filler Cap (a)		90430-35001	\$1.91
(a) Included w/Oil Filler Cap Assy			
12 Cover, Engine	.3	12601-0V010	\$142.38

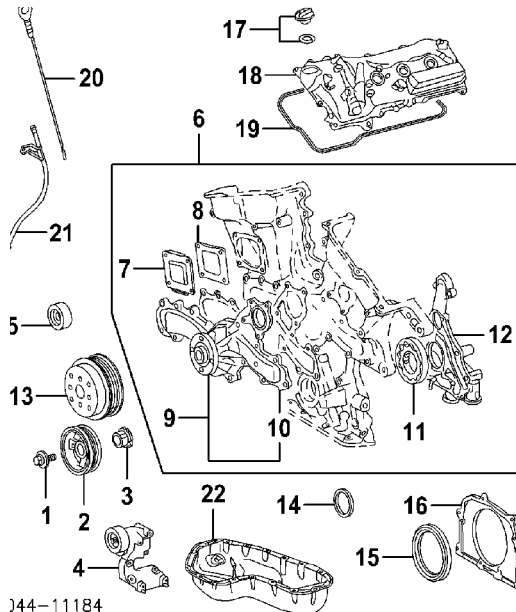
2010 Toyota Venza (none) Wagon

13 Cover, Valve	1.0	11201-36010	\$388.28
14 Gasket, Valve Cover		11213-36020	\$14.70
15 Dipstick, Engine Oil		15301-36030	\$14.06
16 Tube, Engine Dipstick	.5	11452-36020	\$16.72
17 Pan, Engine Oil	2.6	12101-0V010	\$135.58
Sealant, Eng Oil Pan		N.A.	
18 Manifold Assy, Intake	2.2	17120-36030	\$414.09
19 Gasket, Manifold (b)		17171-0V010	\$23.07
20 Actuator, Intake (b)	.7	17335-0V010	\$136.07

(b) Included w/Intake Manifold Assy

21 Pan, Trans Oil	1.6	35106-73010	\$84.31
22 Gasket, Trans Oil Pan		35168-73010	\$16.60

3.5L ENG



144-11184

R&I Engine/Trans Assy

	8.2		
1 Bolt, Pulley		90119-16004	\$6.86
2 Pulley, Crankshaft	#.8	13470-31030	\$263.18
#w/Engine Removed			
3 Gear, Crankshaft			
Japan Sourced Part		13521-31041	\$24.58
Non-Japan Sourced Part		13521-0P011	\$24.58
4 Tensioner, Belt-See Cooling Section			
5 Pulley, Idler-See Cooling Section			
6 Cover Assy, Timing Chain	#3.2	11310-0P040	\$741.61

2010 Toyota Venza (none) Wagon

#w/Engine Removed, Includes R&R Water Pump

7	Plate, Timing Cover Up		11324-0P010	\$8.49
8	Gasket, Timing Cover Up		11328-31030	\$10.20
9	Pump Assy, Water	#1.8	16100-09441	\$171.78

#w/Engine Removed, Includes R&R Crankshaft Pulley

10	Gasket, Water Pump (a)		16271-0P010	\$7.65
	(a) Included w/Water Pump Assy			
11	Rotor, Oil Pump		15103-0P010	\$48.27
12	Cover, Oil Pump		15115-0P030	\$26.18

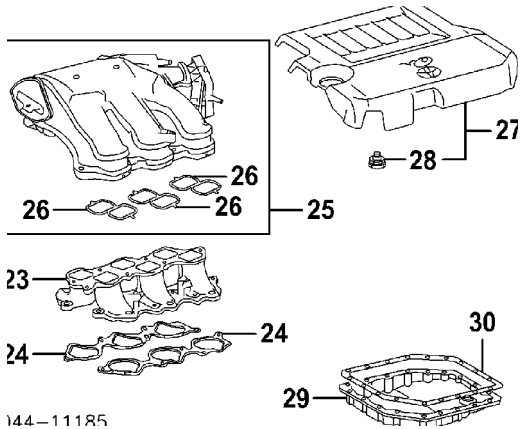
Included w/Timing Chain Cover Assy

13 Pulley, Water Pump-See Cooling Section

Belt, Drive-See Cooling Section

14	Seal, Oil		90311-A0005	\$14.18
15	Seal, Rear Oil		90311-92009	\$37.67
16	Retainer, Cover		11381-31021	\$50.13
17	Cap, Oil Filler		12180-0H010	\$10.00
18	Cover, Valve	R #3.6	11201-0P020	\$307.15
		L #1.6	11202-0P020	\$328.47
	#R&R Both 4.6			
19	Gasket, Valve Cover	R	11213-0P010	\$12.98
		L	11214-0P040	\$12.98
20	Dipstick, Engine Oil		15301-0P010	\$14.06
21	Tube, Engine Dipstick	.7	12142-0P010	\$14.35
22	Pan, Engine Oil	2.3	12102-31050	\$164.93
	Sealant, Eng Oil Pan		N.A.	

2010 Toyota Venza (none) Wagon



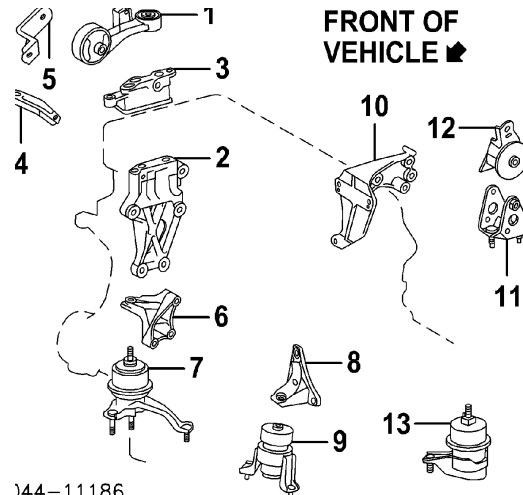
144-11185

23	Manifold, Intake (b) (b) Order by Application		2.7	17111-31141	\$461.15
24	Gasket, Manifold	R		17177-0P020	\$9.62
		L		17178-0P020	\$9.62
25	Tank Assy, Surge #Included in R&R Intake Manifold		#1.8	17190-0P031	\$584.20
26	Gasket, Surge Tank (3) (c) (c) Included w/Surge Tank Assy			17176-0P020	\$9.34
27	Cover Assy, Engine		.3	11209-0P010	\$204.29
28	Grommet, Cover (3) (d) (d) Included w/Engine Cover Assy			90480-22024	\$3.03
29	Pan, Trans Oil		1.6	35106-07010	\$84.31
30	Gasket, Trans Oil Pan			35168-08010	\$12.46

2010 Toyota Venza (none) Wagon

ENGINE/TRANSMISSION MOUNTS

2.7L ENG

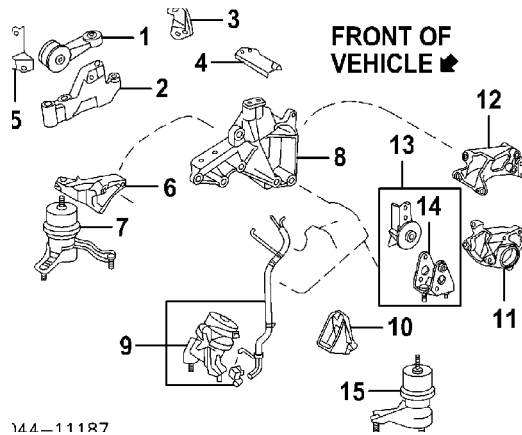


144-11186

1 Rod, Eng Control			.5	12363-0V010	\$96.74
Bracket, Front Upper Mount					
2 No. 1				12313-0V040	\$90.94
3 No. 2				12313-0V010	\$58.42
Stay, Eng Mount					
4 Type 1				12327-0V010	\$13.18
5 Type 2				12331-0V010	\$11.29
6 Bracket, Front Eng Mount				12319-0V020	
7 Insulator, Front Eng Mount			#8.0	12362-0V010	\$172.96
#w/AWD Add .8					
8 Bracket, Left Eng Mount	L		#.4	12311-36020	\$69.96
#w/Mount Removed					
9 Insulator, Left Engine Mount	L		2.8	12361-0H100	\$172.96
Bracket, Right Eng Mount					
AWD					
10 No. 1	R		#.4	12321-36010	\$98.29
11 No. 2	R		#.4	12322-20040	\$32.04
#w/Mount Removed					
12 Insulator, Right Eng Mount					
AWD	R		2.6	N.A.	
13 Insulator, Trans Mount			#8.0	12372-0H090	\$103.29
#w/AWD Add .8					

3.5L ENG

2010 Toyota Venza (none) Wagon

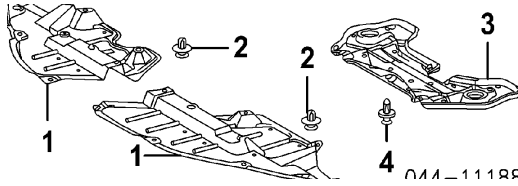


144-111R7

1 Rod, Eng Control		#.8	12363-0P070	\$78.28
2 Bracket, Rod Stay, Eng Mount		#.8	12313-0P060	\$81.51
3 No. 1		#.8	12327-0P020	\$7.92
4 No. 2				
Japan Sourced Part		#.8	12327-31010	\$13.55
Non-Japan Sourced Part		#.8	12327-0P030	\$13.55
5 No. 3		#.8	12331-0P020	\$11.29
#R&R Complete				
6 Bracket, Front Eng Mount			12315-0P020	\$84.31
7 Insulator, Front Eng Mount		9.4	12360-0P050	\$127.72
8 Bracket, Front Engine		#.4	12315-0P031	\$116.49
Order by Application				
#w/Mount Removed				
9 Insulator, Left Engine Mount	L	2.8	12360-0P030	\$133.95
10 Bracket, Left Eng Mount	L		12311-0P020	\$62.62
Bracket, Right Eng Mount				
11 FWD	R	#.3	12321-31120	\$97.60
12 AWD	R	#.3	12321-31130	\$97.60
#w/Mount Removed				
13 Insulator Assy, Mount	R	2.6	12380-0P060	\$58.93
14 Bracket, Right Eng Mount (a)	R		12322-20040	\$32.04
(a) Included w/Mount Insulator Assy				
15 Insulator, Trans Mount		9.4	12372-0P010	\$163.73

2010 Toyota Venza (none) Wagon

ENGINE UNDER COVER



1 Cover, Front Eng Under

R	#.4	51441-0T010	\$82.91
L	#.4	51442-0T010	\$94.80

#R&R Both .6

2 Clip, Front Cover

Left, (3)

L		90467-07201	\$1.38
---	--	-------------	--------

Right, (2)

R		90467-07201	\$1.38
---	--	-------------	--------

3 Cover, Rear Eng Under

.5		51443-0T010	\$82.91
----	--	-------------	---------

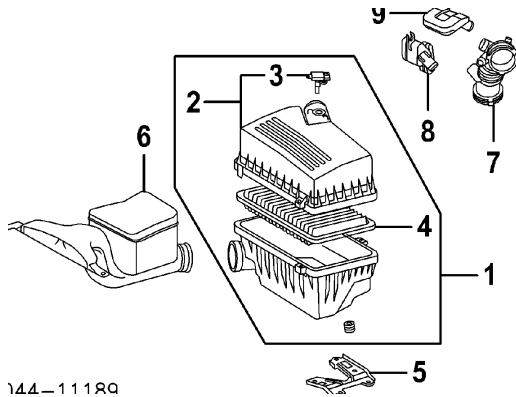
4 Clip, Rear Cover

		51454-0E010	\$4.63
--	--	-------------	--------

2010 Toyota Venza (none) Wagon

AIR CLEANER

2.7L ENG



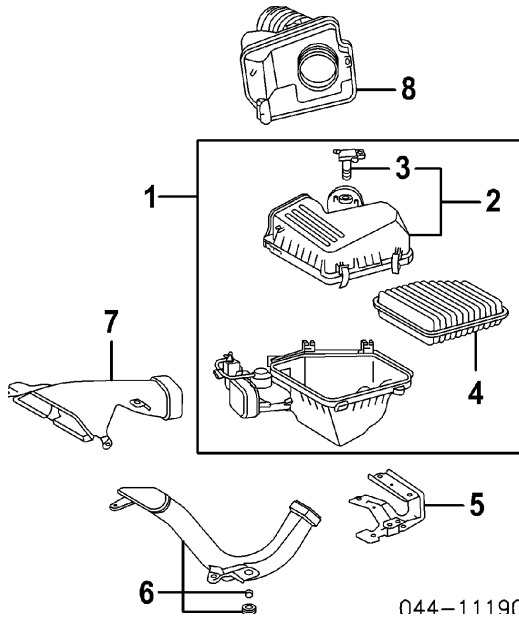
144-111RQ

R&I Air Cleaner Assy

1 Air Cleaner Assy	.6		
2 Cover Assy, Air Cleaner¶	.6	17700-0H102	\$552.70
3 Meter, Air Flow (a)¶	.2	17705-0H102	\$341.75
	.3	22204-31020	\$166.36
(a) Included w/Air Cleaner Cover Assy			
4 Element, Air Filter¶	.3	17801-0H050	\$18.00
¶Included w/Air Cleaner Assy			
5 Bracket, Air Cleaner		17119-0H080	\$18.55
6 Inlet, Air Cleaner	.3	17750-0V010	\$114.38
7 Hose, Air Cleaner Resonator, Intake	.2	17881-0V010	\$78.02
8 No. 1	.2	17893-0V010	\$21.75
9 No. 2	.2	17894-0V010	\$21.66

3.5L ENG

2010 Toyota Venza (none) Wagon



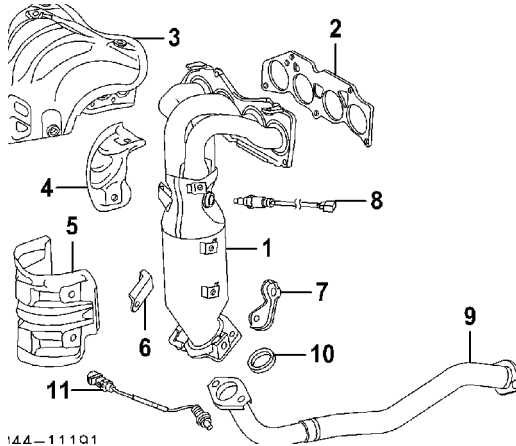
R&I Air Cleaner Assy

1 Air Cleaner Assy	.6		
2 Cover Assy, Air Cleaner¶	.6	17700-AD015	\$587.68
3 Meter, Air Flow (a)¶	.2	17705-AD015	\$138.18
	.3	22204-31020	\$166.36
(a) Included w/Air Cleaner Cover Assy			
4 Element, Air Filter¶	.3	17801-AD010	\$18.00
¶Included w/Air Cleaner Assy			
5 Bracket, Air Cleaner Inlet, Air Cleaner		17119-0P050	\$23.69
6 No. 1	.2	17751-0P080	\$49.67
7 No. 2	.2	17752-0P010	\$56.33
8 Hose, Air Cleaner	.3	17881-0P070	\$71.71

2010 Toyota Venza (none) Wagon

EXHAUST

2.7L ENG



R&I Exhaust System Complete

#1.4

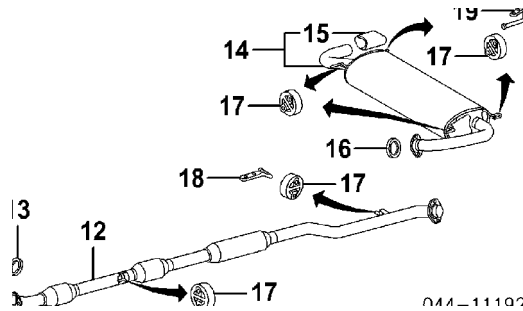
R&R Exhaust System Complete

#1.8

#Does Not Include R&R Exhaust Manifolds and Heat Shields

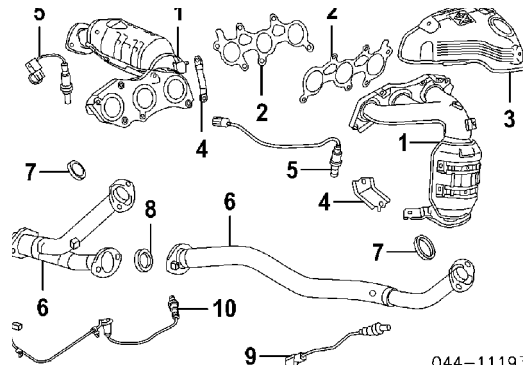
1	Manifold/Converter, Exhaust	1.8	25051-36030	\$303.38
2	Gasket, Manifold Shield, Manifold Heat		17173-0V010	\$43.90
3	No. 1	#.4	17167-0V010	\$126.98
4	No. 2		17168-0V010	\$26.84
5	Shield, Converter Heat	#.5	25586-0V010	\$40.24
	#Included in R&R Exhaust Manifold			
	Stay, Manifold			
6	No. 1		17118-0V010	\$9.43
7	No. 2		17139-36020	\$10.00
8	Sensor, Air Fuel Ratio-See Emission System Section			
9	Pipe, Front Exhaust	.8	17410-0V010	\$168.27
10	Gasket, Front Pipe		17451-0V020	\$41.64
11	Sensor, Oxygen-See Emission System Section			

2010 Toyota Venza (none) Wagon



12 Pipe, Center Exhaust			
FWD	.8	17420-0V030	\$800.82
AWD	.8	17420-0V010	\$800.82
13 Gasket, Center Pipe		17451-0V020	\$41.64
14 Muffler Assy	.7	17430-0V010	\$478.20
15 Baffle, Tailpipe¶		17408-0P010	\$83.44
¶Included w/Muffler Assy			
16 Gasket, Muffler		17451-0P021	\$37.47
17 Support, Exhaust (6)		17565-0P040	\$15.26
18 Bracket, Center			
FWD		17573-0P080	\$20.69
19 Bracket, Rear			
	R	17574-0P090	\$20.66
	L	17576-0P070	\$20.66

3.5L ENG



R&I Exhaust System Complete	#1.6		
R&R Exhaust System Complete	#2.0		

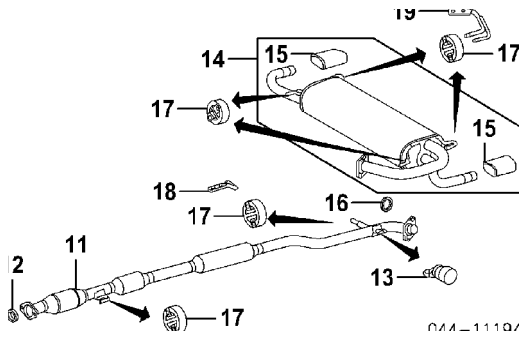
#Does Not Include R&R Exhaust Manifold or Shields

1 Manifold, Exhaust	R	#3.5	17140-0P020	\$807.00
	L	#3.2	17150-0P040	\$694.06
#R&R Both 4.0				
2 Gasket, Manifold	R		17173-0P020	\$17.22

2010 Toyota Venza (none) Wagon

	L	17173-0P020	\$17.22
3 Shield, Manifold Heat	L	17168-0P011	\$45.81
4 Stay, Manifold			
FWD	R	17118-0P020	\$12.18
	L	17119-0P030	\$8.26
AWD	R	17118-0P030	\$22.86
	L	17119-0P030	\$8.26
5 Sensor, Air Fuel Ratio-See Emission System Section			
6 Pipe, Front Exhaust	R	.9 17403-0P060	\$168.27
	L	.9 17410-0P310	\$190.94
7 Gasket, Front Pipe	R	90080-43036	\$9.03
	L	90080-43036	\$9.03
8 Gasket, Connecting		90917-06078	\$8.97
9 Sensor, Front Oxygen-See Emission System Section			

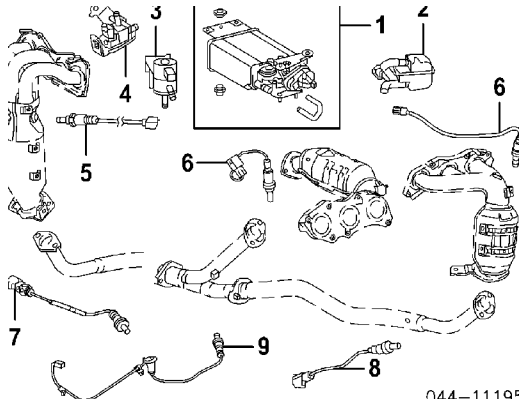
10 Sensor, Rear Oxygen-See Emission System Section



11 Pipe, Center			
FWD		.9 17420-0P210	\$1,000.07
AWD		.9 17420-0P200	\$1,000.07
12 Gasket, Center Pipe		17451-0D150	\$37.47
13 Dampener, Pipe		17581-31010	\$40.58
14 Muffler Assy		.7 17430-0P170	\$556.01
15 Baffle, Tailpipe¶	R	17408-0P010	\$83.44
	L	17408-0P020	\$83.44
¶Included w/Muffler Assy			
16 Gasket, Muffler		17451-0P021	\$37.47
17 Support, Exhaust (6)		17565-0P040	\$15.26
18 Bracket, Center			
FWD		17573-0P080	\$20.69
19 Bracket, Rear	R	17574-0P110	\$23.49
	L	17576-0P100	\$23.49

2010 Toyota Venza (none) Wagon

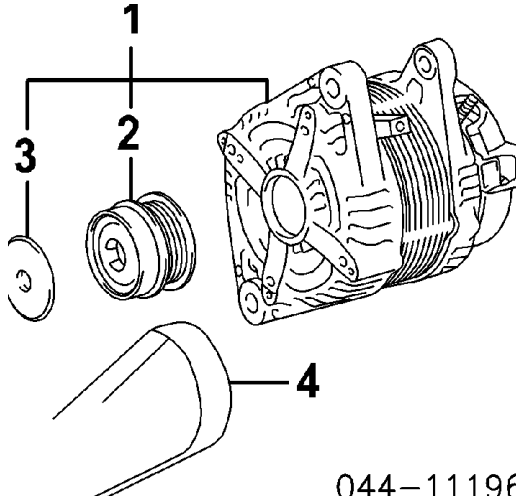
EMISSION SYSTEM



1	Canister, Charcoal		77740-0T010	\$597.69
2	Filter, Canister		77706-0T010	\$47.93
	Valve, Vacuum Switching			
3	2.7L Eng		25860-0V040	\$78.71
4	3.5L Eng		25860-31070	\$78.37
	Sensor, Air Fuel Ratio			
5	2.7L Eng		89467-06100	\$213.03
6	3.5L Eng	R	89467-0E040	\$237.33
		L	89467-07030	\$213.03
	Sensor, Oxygen			
7	2.7L Eng		89465-0T020	\$134.53
	3.5L Eng			
8	Front		89465-0T030	\$147.52
9	Rear		89465-0T010	\$166.16

2010 Toyota Venza (none) Wagon

ELECTRICAL
ALTERNATOR



044-1119F

1 Alternator Assy

2.7L Eng

130 Amp

150 Amp

3.5L Eng

100 Amp

130 Amp

150 Amp

2 Pulley, Alternator¶

2.7L Eng

3.5L Eng

3 Cap, Pulley¶

¶Included w/Alternator Assy

4 Belt, Drive-See Cooling Section

1.2 27060-0V020 \$695.64

1.2 27060-0V030 \$750.76

3.2 27060-0P141-84 \$295.42

3.2 27060-0P151-84 \$325.03

3.2 27060-0P241-84 \$374.32

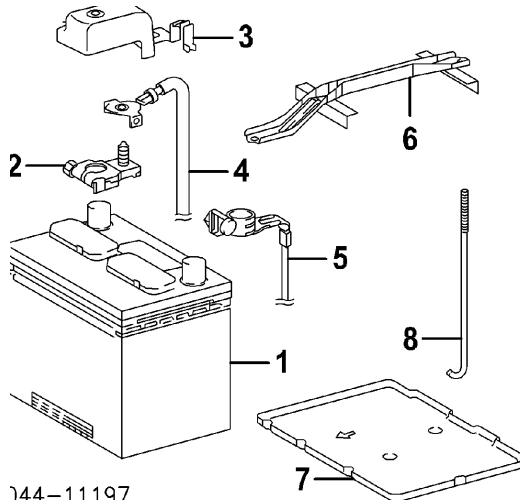
1.4 27415-0W110 \$83.25

3.4 27415-0W130 \$91.08

27416-0W050 \$5.06

BATTERY

2010 Toyota Venza (none) Wagon



744-11197

1 Battery

2 Terminal, Positive

3 Cover, Terminal

4 Cable, Positive Battery-See Front Inner Structure Section

5 Cable, Negative Battery-See Front Inner Structure Section

6 Clamp, Battery

7 Tray, Battery

8 Bolt, Battery Clamp

.3 N.A.

90982-05054

\$25.46

82821-06040

\$8.69

74404-0T010

\$17.38

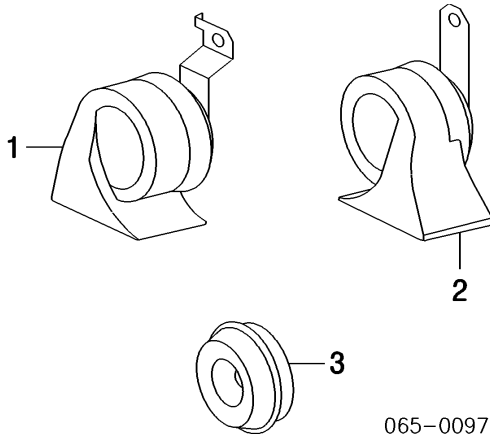
74431-0T010

\$50.73

74451-06010

\$3.54

HORN



065-00974

1 Horn, Low Note

86520-AA010

\$62.88

2 Horn, High Note

86510-AA010

\$62.88

3 Horn, Security

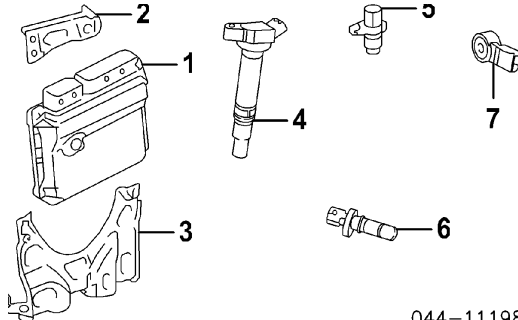
86560-0T010

\$60.70

IGNITION

2010 Toyota Venza (none) Wagon

2.7L ENG

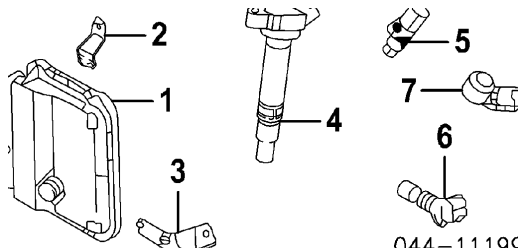


044-1110F

1 Computer, Engine Control		
FWD	89661-0T030	\$873.94
AWD	89661-0T040	\$873.94
2 Bracket, Upper Computer	89667-0T020	\$11.09
3 Bracket, Lower Computer	89668-0T020	\$36.72
4 Coil, Ignition (4)	90919-A2005	\$95.63
5 Sensor, Camshaft Position (2)	90919-05060	\$114.38
6 Sensor, Crankshaft Position	90919-A5004	\$107.75
7 Sensor, Knock	89615-06010	\$184.00

IGNITION

3.5L ENG



044-1110C

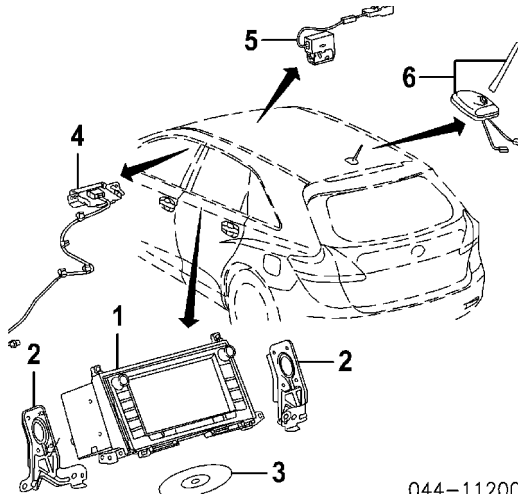
1 Computer, Engine Control		
FWD	89661-0T010	\$891.88
AWD	89661-0T020	\$891.88
2 Bracket, Upper Computer	89667-0T010	\$3.92
3 Bracket, Lower Computer	89668-0T010	\$7.54
4 Coil, Ignition (6)		
Japan Sourced Part		
To 12-08	90919-A2004	\$84.79
From 12-08	90919-A2004	\$84.79
Non-Japan Sourced Part		
To 1-09	90919-A2004	\$84.79
From 1-09	90919-A2004	\$84.79

Sensor, Crankshaft Position

2010 Toyota Venza (none) Wagon

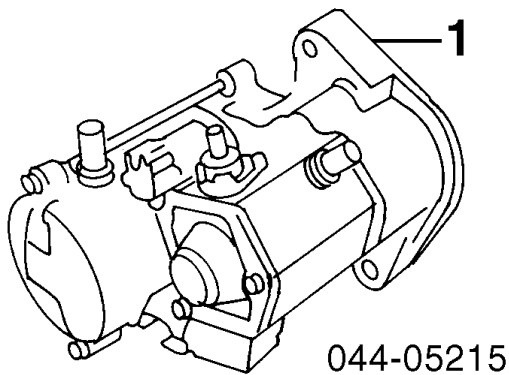
5 Upper, (4)	90919-05060	\$114.38
6 Lower	90919-A5003	\$76.62
7 Sensor, Knock	89615-06010	\$184.00

NAVIGATION SYSTEM



1 Display/Radio, Navigation			
Denso Brand		86120-0T060	\$2,922.48
Panasonic Brand		86120-0T010	\$1,174.22
2 Bracket, Radio	R	86212-0T010	\$7.59
	L	86211-0T010	\$7.59
3 Disc, Navigation		N.A.	
4 Antenna, Navigation		86860-73010	\$524.72
5 Microphone, Telephone-See Roof Section			
6 Antenna Assy-See Roof Section			

STARTER

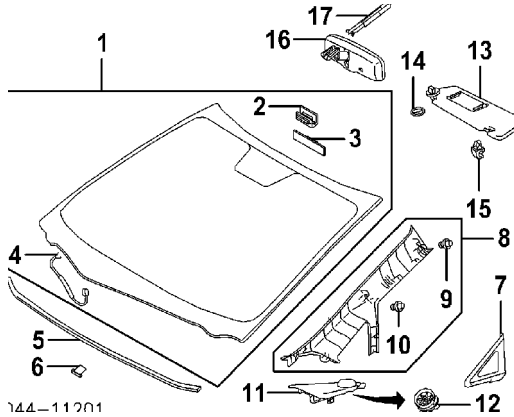


1 Starter	28100-0A010-84	\$306.84
-----------	----------------	----------

2010 Toyota Venza (none) Wagon

WINDSHIELD

Procedure 13



144-11201

R&I Windshield

#3.5

#Includes R&I/R&R Cowl Top Louver & Wiper Arms, Loosen Headliner & Clean Up Old Adhesive as Necessary

1 Glass Assy, Windshield

Toyota

Heated

w/Sunroof

#3.1 56101-0T040 \$450.00

w/o Sunroof

#3.1 56101-0T030 \$450.00

Non-Heated

w/Sunroof

#3.1 56101-0T020 \$450.00

w/o Sunroof

#3.1 56101-0T010 \$450.00

NAGS

Heated

w/Sunroof

#3.1 FW03015GTY \$647.10

w/o Sunroof

#3.1 FW03004GTN

Non-Heated

w/Sunroof

#3.1 FW03014GTY \$623.05

w/o Sunroof

#3.1 FW03003GTN

#Includes R&I/R&R Cowl Top Louver & Wiper Arms, Loosen Headliner & Clean Up Old Adhesive as Necessary

Stopper, Windshield¶

2 No. 1 56115-30120 \$2.34

3 No. 2 56116-22050 \$2.14

4 Wire, Defroster¶ 82217-0T010 \$11.60

¶Included w/Windshield Glass Assy

5 Dam, Adhesive 90998-91004 \$10.60

6 Retainer, Glass R 56114-0T010 \$2.34

L 56114-0T010 \$2.34

2010 Toyota Venza (none) Wagon

Adhesive, Glass			N.A.	
7 Glass, Pillar-See Rocker/Pillars/Floor Section				
8 Garnish Assy, Pillar				
Gray	R	#.2	62210-0T010-B0	\$108.80
	L	#.2	62220-0T010-B0	\$108.80
Ivory	R	#.2	62210-0T010-A0	\$108.80
	L	#.2	62220-0T010-A0	\$108.80
#Included in R&I/R&R Pillar Glass				
Clip, Garnish (a)				
9 Upper	R		62217-06010	\$3.03
	L		62217-06010	\$3.03
10 Lower	R		90467-A0006	\$1.06
	L		90467-A0006	\$1.06
(a) Included w/Pillar Garnish Assy				
11 Moulding, Lower Corner-See Rocker/Pillars/Floor Section				
12 Speaker, Pillar-See Rocker/Pillars/Floor Section				
13 Visor, Sun (b)				
Gray	R	.2	74310-0T020-B1	\$95.51
	L	.2	74320-0T020-B1	\$95.51
Ivory	R	.2	74310-0T010-A1	\$95.51
	L	.2	74320-0T010-A1	\$95.51
(b) Order by Application				
14 Cover, Visor Mount				
Gray	R		74317-60020-B1	\$3.52
	L		74317-60020-B1	\$3.52
Ivory	R		74317-60020-A0	\$3.52
	L		74317-60020-A0	\$3.52
15 Holder, Visor				
Gray	R		74348-33040-B1	\$8.66
	L		74348-33040-B1	\$8.66
Ivory	R		74348-33040-A0	\$7.92
	L		74348-33040-A0	\$7.92
16 Mirror, Rear View				
w/Bluetooth				
w/HID H/Lamps		.2	87810-0T020	\$860.53
w/o HID H/Lamps		.2	87810-0T010	\$783.60
w/o Bluetooth		.2	87810-06080	\$87.80
17 Cover, Mirror				

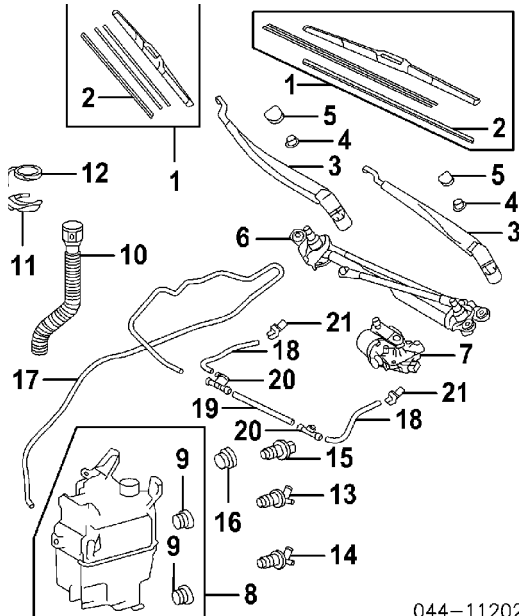
2010 Toyota Venza (none) Wagon

w/Bluetooth

87818-AE010

\$8.79

WIPER SYSTEM



044-11205

1 Blade Assy, Wiper	R	.1	85212-0T020	\$23.16
	L	.1	85222-0T030	\$38.01
2 Insert, Wiper¶	R	.1	85214-0T040	\$5.66
	L	.1	85214-0T050	\$6.71
¶Included w/Wiper Blade Assy				
3 Arm, Wiper	R	#.2	85211-0T010	\$88.14
	L	#.2	85221-0T010	\$64.61
#Includes R&R Wiper Blade Assy or Insert				
4 Nut, Wiper Arm	R		90182-A0017	\$0.89
	L		90182-A0017	\$0.89
5 Cap, Wiper Arm	R		85292-AA010	\$2.97
	L		85292-AA010	\$2.97
6 Link, Wiper		#1.0	85150-0T010	\$171.42
7 Motor, Wiper		#1.0	85110-0T010	\$230.97
#R&R Complete, Includes R&I/R&R Cowl Top Louver & Wiper Arms				
8 Tank Assy, Washer		#.3	85315-0T010	\$96.54
#w/Necessary Trim Removed				
9 Grommet, Washer Pump (2) (a)			85336-60300	\$3.46

2010 Toyota Venza (none) Wagon

(a) Included w/Washer Tank Assy

10	Hose, Inlet		85319-42230	\$6.54
11	Bracket, Hose		85337-30380	\$2.80
12	Cap, Washer Tank		85316-48060	\$2.80
13	Pump, Windshield Washer		85330-60190	\$51.64
14	Pump, Back Window Washer		85330-60180	\$51.64
15	Switch, Level Warning		85397-AA040	\$53.53
16	Grommet, Switch		85319-AA020	\$4.20
17	Hose, Washer		90068-33109	\$9.52
18	Hose, Nozzle	R	90068-33097	\$9.52
		L	90068-33097	\$9.52
19	Hose, Connecting		90068-33065	\$9.35
20	Valve, Washer	R	85321-28020	\$15.32
		L	85375-20800	\$1.86
21	Nozzle, Washer (b)	R #.2	85381-0T010	\$17.92
		L #.2	85381-0T010	\$17.92

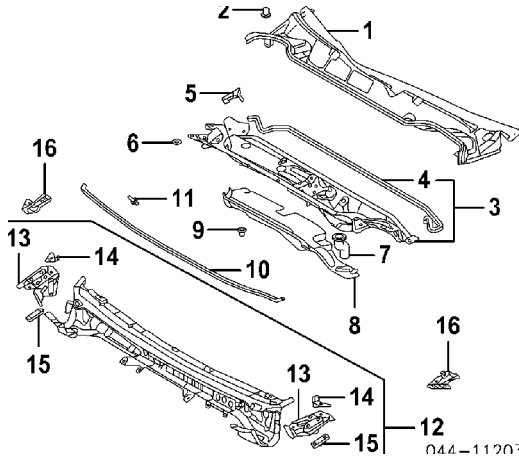
(b) Order by Application

#Included in R&R Hood

2010 Toyota Venza (none) Wagon

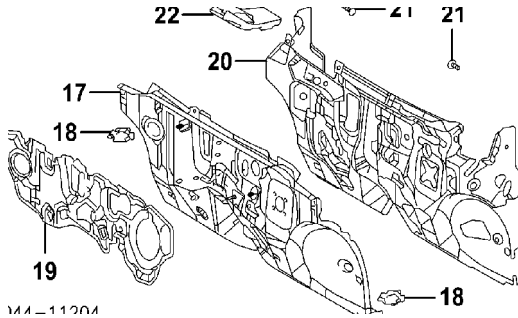
COWL & DASH

Procedures 14 and 28



R&I Cowl Top Louver		#.5		
#Includes R&R Wiper Arms				
1 Louver, Cowl Top		#.5	55708-0T010	\$349.81
#Includes R&R Wiper Arms				
2 Retainer, Louver	R		65613-07010	\$2.54
	L		65613-07010	\$2.54
3 Panel Assy, Cowl Top			55702-0T010	\$315.89
4 Seal, Water Guard Plate¶			55736-0T010	\$17.49
¶Included w/Cowl Top Panel Assy				
5 Cover, Cowl Pnl Hole			55729-0T010	\$5.14
6 Spacer, Cowl (2/Side)	R		90560-10108	\$2.82
	L		90560-10108	\$2.82
7 Hose, Water Extract			55751-0T010	\$7.40
8 Insulator, Cowl Top			55787-0T010	\$79.39
9 Clip, Insulator (5)			90467-06197	\$1.67
10 Pad, Cowl Top Silencer			55783-0T010	\$18.58
11 Rivet, Top Panel (2)			90269-A0004	\$2.53
12 Panel Assy, Cowl Top Outer			55701-0T010	\$315.89
13 Panel, Cowl Top Inner (a)	R		55717-0T010	\$31.52
	L		55718-0T010	\$31.52
14 Panel, Cowl Top Side (a)	R		55713-0T010	\$7.66
	L		55714-0T010	\$7.66
15 Reinf, Hood (a)	R		55728-06030	\$7.95
	L		55728-06030	\$7.95
(a) Included w/Cowl Top Outer Panel Assy				
16 Reinf, Cowl Top Side	R		55723-0T010	\$14.72

2010 Toyota Venza (none) Wagon

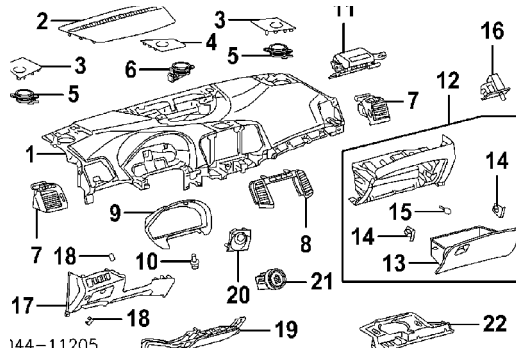


	L	55724-0T010	\$15.63
17 Panel, Dash		55101-0T010	\$745.10
18 Plate, Dash Panel Insulator	R	55239-06020	\$8.12
	L	55239-06020	\$8.12
19 Insulator, Dash Outer			
2.7L Eng		55223-0T020	\$79.39
3.5L Eng		55223-0T010	\$149.01
20 Insulator, Dash Inner		55210-0T010	\$202.20
21 Clip, Insulator	R	90467-A0002	\$1.06
	L	90467-A0002	\$1.06
22 Pad, Dash Panel Insulator	R	55214-0T010	\$15.03

2010 Toyota Venza (none) Wagon

INSTRUMENT PANEL

Procedure 14



R&I Instrument Panel Reinforcement

6.0

R&I Instrument Panel

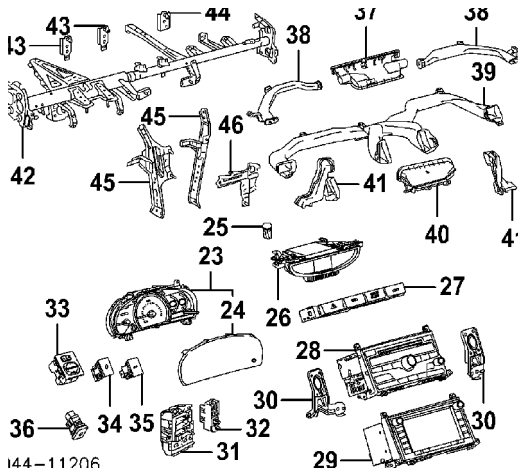
5.2

NOTE: All Parts in this section are included in R&R Instrument Panel Reinforcement unless noted otherwise.

1 Pad, Instrument Panel		7.4	55401-0T020-C0	\$1,644.13
2 Garnish, Defroster Nozzle			55981-0T010-C0	\$151.82
3 Panel, Outer Finish	R		55474-0T010-C0	\$40.93
	L		55472-0T010-C0	\$40.93
4 Panel, Center Finish				
6 Speaker System			55473-0T010-C0	\$29.21
13 Speaker System			55473-0T020-C0	\$28.01
5 Speaker, Outer				
6 Speaker System	R	.3	86160-0WF60	\$44.76
	L	.3	86160-0WF60	\$44.76
13 Speaker System	R	.3	86160-0C070	\$171.97
	L	.3	86160-0C070	\$171.97
6 Speaker, Center		.3	86160-0C070	\$171.97
7 Register, Instrument Panel	R	.3	55680-0T010-C0	\$146.93
	L	.3	55650-0T010-C0	\$146.93
8 Panel, Center Finish				
6 Speaker System		.4	55405-0T010	\$203.60
13 Speaker System		.4	55405-0T020	\$203.60
9 Panel, Cluster Finish		.4	55404-0T010	\$78.37
10 Clip, Finish Panel (2)			90080-46294	\$0.77
11 Module, Passenger Air Bag-See Air Bag System Section				
12 Glove Box Assy				
Gray			55303-0T010-B0	\$556.22
Ivory			55303-0T010-A0	\$556.22
13 Door, Glove Box				

2010 Toyota Venza (none) Wagon

Gray		.4	55501-0T010-A0	\$349.81
Ivory		.4	55501-0T010-B0	\$349.81
14 Retainer, Glove Box				
Gray	R		55437-0T010-B0	\$4.94
	L		55438-0T010-B0	\$4.94
Ivory	R		55437-0T010-A0	\$4.94
	L		55438-0T010-A0	\$4.94
15 Cushion, Door (2)			90080-54038	\$1.11
¶Included w/Glove Box Assy				
16 Lamp, Glove Box			81260-33030	\$16.66
17 Panel, Lower Finish				
Gray	L	.5	55302-0T010-B0	\$190.31
Ivory	L	.5	55302-0T010-A0	\$190.31
18 Cover, Switch Hole (a)				
Gray	L		55539-52060-B3	\$3.94
Ivory	L		55539-52060-A0	\$4.23
(a) As Required				
19 Module, Driver Knee Air Bag-See Air Bag System Section				
20 Panel, Lower Trim				
w/ Push Button Start				
Gray			55480-0T020-B0	\$52.82
Ivory			55480-0T020-A0	\$52.82
w/o Push Button Start				
Gray			55480-0T010-B0	\$39.53
Ivory			55480-0T010-A0	\$39.53
			89611-07010	
21 Switch, Push Button Starting		.4		\$65.76
22 Cover, Lower	R	.3	55607-0T011	\$66.10



23 Cluster Assy, Instrument

2010 Toyota Venza (none) Wagon

2.7L Eng			
w/HID H/Lamps	.8	83800-0T010	
w/o HID H/Lamps	.8	83800-0T050	
3.5L Eng			
w/HID H/Lamps	.8	83800-0T020	\$494.03
w/o HID H/Lamps	.8	83800-0T060	\$2,346.30
24 Lens, Cluster (b)		83852-0T010	\$24.15
(b) Included w/Instrument Cluster Assy			
25 Sensor, Light Control			
w/HID H/Lamps	.3	89121-50020	\$149.01
w/o HID H/Lamps	.3	89121-30010	\$213.75
26 Display, Information			
w/Rear View Camera	.4	83290-0T010	\$1,067.76
w/o Rear View Camera			
w/Push Button Start	.4	83290-0T020	\$434.27
w/o Push Button Start (c)	.4	83290-0T040	\$434.27
(c) Order by Application			
27 Switch, Display			
w/Rear View Camera	.4	84977-0T010	\$121.75
w/o Rear View Camera	.4	84977-0T020	\$121.75
28 Radio (c)			
6 Speaker System	.7	86120-0T020	\$1,498.84
13 Speaker System	.7	86120-0T030	\$1,498.84
(c) Order by Application			
29 Display/Radio, Navigation-See Electrical Section			
30 Bracket, Radio			
w/Navigation System-See Electrical Section			
w/o Navigation System			
	R	86212-0T010	\$7.59
	L	86211-0T010	\$7.59
31 Block, Junction (c)	#	82730-0T050	\$608.69
Harness Assy, Instrument Panel (c)	#	82141-0T040	\$1,538.47
(c) Order by Application			
32 Block, Relay (d)	#	82660-0T030	\$40.93
(d) Included w/Instrument Panel Harness Assy			
33 Switch, Outer Mirror			
Gray	.2	84870-0T010-B0	\$135.72
Ivory	.2	84870-0T010-A0	\$135.72

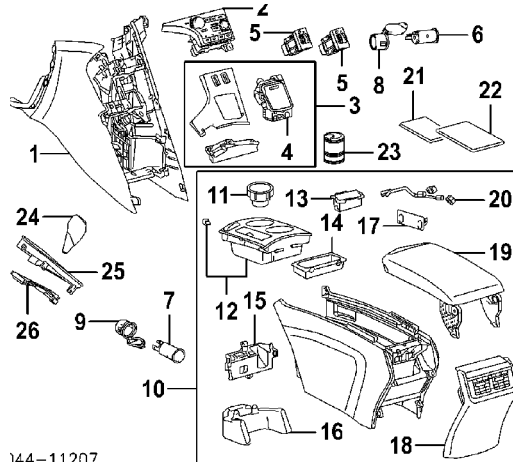
2010 Toyota Venza (none) Wagon

34	Switch, Traction Control		.3	84988-0T010	\$65.76
35	Switch, Liftgate Opng		.3	84930-0T010	\$65.76
36	Switch, Liftgate		.3	84962-0T010	\$72.76
37	Nozzle, Defroster			55950-0T010	\$72.42
38	Duct, Side Defroster	R		55972-0T010	\$29.95
		L		55971-0T010	\$35.67
39	Duct, Center Dash			55843-0T010	\$111.23
40	Duct, Distribution			87201-0T010	\$71.36
41	Duct, Footwell	R		87201-0T020	\$49.67
		L		87201-0T030	\$71.36
42	Reinf, Instrument Panel Bracket, Mounting		8.6	55330-0T010	\$402.29
43	No. 1, (2)			55381-0T010	\$7.97
44	No. 2			55382-0T010	\$8.23
45	Brace, Instrument Panel	R		55306-0T010	\$92.00
		L		55307-0T010	\$53.53
46	Reinf, Lower Panel			55333-0T010	\$42.33

2010 Toyota Venza (none) Wagon

CENTER CONSOLE

Procedure 14



144-11207

R&I Center Console

.8

NOTE: All Parts in this section are included in R&R Center Console unless noted otherwise.

1	Box, Console			
	Gray	1.2	58802-0T010-B0	\$144.15
	Ivory	1.2	58802-0T010-A0	\$144.15
2	Control, A/C /Heater			
	w/ATC	.5	55900-0T020	\$787.08
	w/o ATC	.5	55900-0T010	\$686.17
3	Panel Assy, Upper Console			
	w/Leather Pkg			
	w/Heated Seats	.5	58804-0T030-E0	\$209.55
	w/o Heated Seats	.5	58804-0T020-E0	\$209.55
	w/o Leather Pkg	.5	58804-0T010-E0	\$209.55
4	Box, Compartment¶			
	w/Leather Pkg		58806-0T020-E1	\$153.22
	w/o Leather Pkg		58806-0T010-E0	\$153.22
	¶Included w/Upper Console Panel Assy			
5	Switch, Seat Heater	R	.2 84751-0T020	\$65.76
		L	.2 84751-0T010	\$65.76
	Socket, Power			
6	Upper		85530-AE010	\$36.04
7	Lower		85530-AE010	\$36.04
	Cover, Power Outlet			
8	Upper			
	Gray		85535-AE020-B1	\$8.75
	Ivory		85535-AE020-A0	\$8.75
9	Lower		85535-AA010	\$10.83

2010 Toyota Venza (none) Wagon

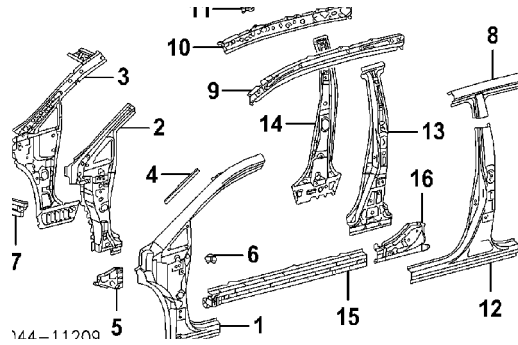
10 Console Assy			
w/Leather Pkg			
Gray	.8	58810-0T020-B1	\$569.24
Ivory	.8	58810-0T020-A1	\$569.24
w/o Leather Pkg			
Gray	.8	58810-0T010-B1	\$544.88
Ivory	.8	58810-0T010-A1	\$544.88
11 Insert, Cup Holder (a)		55616-0T010	\$26.41
12 Panel, Cup Holder (a)			
w/Leather Pkg	.3	58805-0T020	\$384.80
w/o Leather Pkg	.3	58805-0T010	\$384.80
13 Holder, Center (a)		58856-0T010	\$12.29
14 Pocket, Console (a)		58825-0T010	\$30.32
15 Cover, Console Front (a)		58818-0T010	\$32.52
16 Duct, Console Air (a)		58862-0T010	\$28.64
17 Retainer, Console (a)		58981-0T010	\$14.09
18 Panel, Rear Console (a)			
w/Leather Pkg			
Gray	.3	58903-0T020-B0	\$226.69
Ivory	.3	58903-0T020-A0	\$226.69
w/o Leather Pkg			
Gray	.3	58903-0T010-B0	\$226.69
Ivory	.3	58903-0T010-A0	\$226.69
19 Armrest, Console (a)			
w/Leather Pkg			
Gray	.2	58920-0T020-B1	\$202.60
Ivory	.2	58920-0T020-A1	\$202.60
w/o Leather Pkg			
Gray	.2	58920-0T010-B1	\$176.62
Ivory	.2	58920-0T010-A1	\$176.62
20 Lamp, Console Box (2) (a)		81080-22040	\$15.40
(a) Included w/Console Assy			
21 Carpet, Tray Front		58815-0T020	\$5.34
22 Carpet, Tray Rear		58815-0T010	\$5.97
23 Insert, Ashtray		74130-28040-C0	\$82.57
24 Knob, Shifter			
w/Leather Pkg	.2	33504-0T020-E0	\$156.02
w/o Leather Pkg	.2	33504-0T010-E0	\$94.46
25 Housing, Shift Indicator		35907-0T010	\$53.16
26 Guide, Shift Cover		35953-0T010	\$24.98

2010 Toyota Venza (none) Wagon

ROCKER/PILLARS/FLOOR

Procedures 14, 15 and 28

SHEET METAL



Refinish Door Opening Assy	R	3.6
	L	3.6
Add for Inside	R	.8
	L	.8
Refinish Outer Hinge Pillar	R	1.4
	L	1.4
Refinish Outer Roof Rail	R	1.0
	L	1.0
Refinish Outer Center Pillar	R	2.4
	L	2.4
Refinish Outer Rocker Panel	R	2.0
	L	2.0
Refinish Center Pillar	R	1.0
	L	1.0
Refinish Outer Roof Rail	R	#1.6
	L	#1.6
#Included in Refinish Door Opening Assy		
Section Rocker Panel	R	10.5
	L	10.5
Section Front Rocker Panel	R	5.5
	L	5.5
Add to R&R Outer Hinge Pillar		
To Transfer Pillar Glass	R	.2
	L	.2
Add to R&R		
R&L/R&R Side Curtain Air Bag	R	#1.0

2010 Toyota Venza (none) Wagon

	L	#1.0		
#w/Headliner Removed				
R&/R&R Air Bag Sensor				
Front	R	#.3		
	L	#.3		
#w/Center Pillar Trim Removed				
R&/R&R Air Bag Rear	R	#.4		
	L	#.4		

#w/Necessary Trim Removed

NOTE: Refer to Manufacturer's Service Manual for sectioning procedures.

NOTE: Manufacturer advises foam fillers have been utilized within panels in this section. Refer to vehicle body/service repair manuals for recommended replacement and safety precautions.

1	Pillar, Outer Hinge (HSS)	R	#14.5	61131-0T010	\$221.43
		L	#14.5	61132-0T010	\$221.43
	#Includes R&R Pillar Glass				
2	Reinf, Hinge Pillar (HSS)	R	3.5	61108-0T010	\$291.05
		L	3.5	61109-0T010	\$295.26
3	Panel, Cowl Side (HSS)	R	3.5	61101-0T010	\$214.78
		L	3.5	61102-0T010	\$215.49
4	Pad, Pillar	R		62552-0E010	\$10.52
		L		62552-0E010	\$10.52
5	Reinf, Cowl Side (HSS)	R	.5	61103-0T010	\$54.56
		L	.5	61104-0T010	\$54.22
6	Bracket, Hinge Pillar	R		61168-06010	\$4.66
		L		61168-06010	\$4.66
7	Gusset, Hinge Pillar	R	.5	61141-0T010	\$18.69
		L	.5	61142-0T010	\$18.69
8	Rail, Outer Roof (HSS)	R	#7.0	61215-0T010	\$117.55
		L	#7.0	61216-0T010	\$117.55

#w/Necessary Bolted Parts & Assemblies Removed

9 Reinf, Roof Rail-See Roof Section

10 Rail, Inner Roof-See Roof Section

11 Reinf, Center Pillar

w/o Panoramic Roof-See Roof Section

12	Pillar, Outer Center (HSS)	R	13.2	61311-0T010	\$175.25
		L	13.2	61312-0T010	\$175.25

2010 Toyota Venza (none) Wagon

13 Reinf, Center Pillar (HSS)	R	2.5	61303-0T010	\$370.79
	L	2.5	61304-0T010	\$370.79
14 Pillar, Inner Center (HSS)	R	2.5	61307-0T010	\$217.23
	L	2.5	61308-0T010	\$217.23

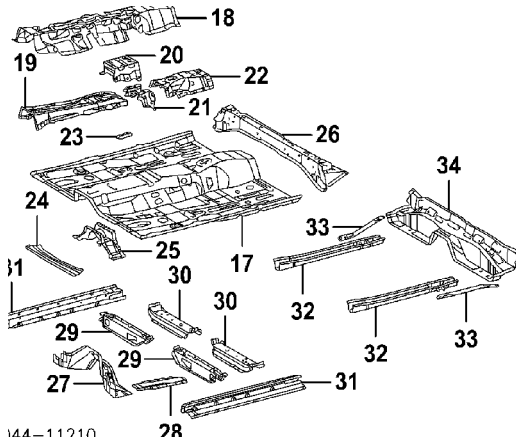
Striker, Front Door-See Front Door Section

Switch, Courtesy Lamp-See Front Door Section

15 Panel, Outer Rocker (HSS)	R	#4.5	61401-0T900	\$265.50
	L	#4.5	61402-0T900	\$265.50

#w/Outer Center Pillar Removed

16 Reinf, Rocker Panel (HSS)	R	4.0	61403-0T010	\$119.63
	L	4.0	61404-0T010	\$119.63

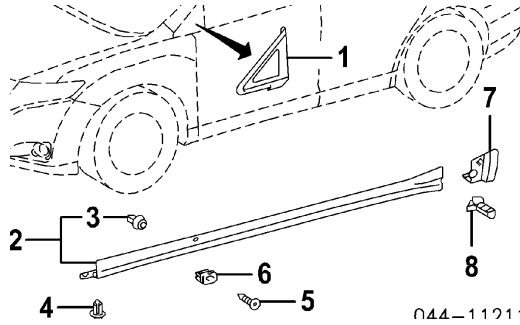


17 Pan, Front Floor			58111-0T010	\$626.18
18 Silencer, Center Console			58621-0T010	\$95.14
19 Support, Shift & Select Lever (HSS)			58013-0T010	\$273.56
20 Reinforcement, Crossmember			57054-0T010	\$145.53
21 Reinforcement, Floor Pan			58118-0T010	\$55.27
22 Reinf, Parking Brake Base			58171-0T010	\$148.67
23 Cover, Front Floor Hole (2)			58136-06050	\$4.57
24 Brace, Front Floor			57535-0T010	\$55.62
25 Reinf, Drive Shaft Ctr Supt			58025-0T010	\$93.06
26 Pan, Center Floor Front			58202-0T010	\$297.34
27 Crossmember, Floor Front			57103-0T010	\$234.38
28 Reinf, Front Floor (HSS)	L		57513-06010	\$60.87
29 Crossmember, Front Seat (HSS)	R		57451-0T900	\$129.44
	L		57452-0T900	\$129.44

2010 Toyota Venza (none) Wagon

30 Crossmember, Rear Seat (HSS)	R	57051-0T010	\$174.91
	L	57052-0T010	\$174.91
31 Sidemember, Floor (HSS)	R	57401-0T010	\$309.57
	L	57402-0T010	\$309.57
32 Reinf, Front Floor Under	R	57419-06040	\$109.49
	L	57429-06020	\$108.09
33 Brace, Front Floor	R	57535-06010	\$43.38
	L	57536-06010	\$43.38
		57605-0T010	
34 Crossmember, Rear Floor (HSS)			\$293.14

EXTERIOR TRIM



Refinish Rocker Cover	R	1.2		
	L	1.2		
R&I Pillar Glass	R	#1.5		
	L	#1.5		

#Includes Clean Up Old Adhesive as Necessary

R&I Rocker Cover	R	.6		
	L	.6		

1 Glass, Pillar				
Toyota	R	#1.3	62110-0T010	\$59.25
	L	#1.3	62120-0T010	\$52.38
NAGS	R	#1.3	FV24033GTY	\$646.15
	L	#1.3	FV24034GTY	\$646.15

#Includes Clean Up Old Adhesive as Necessary

Adhesive, Glass			N.A.	
2 Cover Assy, Rocker (P)	R	.6	75850-0T010	\$200.46
	L	.6	75860-0T010	\$200.46
(P) Paint to Match				
3 Clip, Rocker Cover				
Upper, (7/Side)¶	R		75867-AA010	\$4.66
	L		75867-AA010	\$4.66

2010 Toyota Venza (none) Wagon

¶Included w/Rocker Cover Assy

4 Clip, Rocker Cover			
Lower, (8/Side)	R	75867-30120	\$5.09
	L	75867-30120	\$5.09

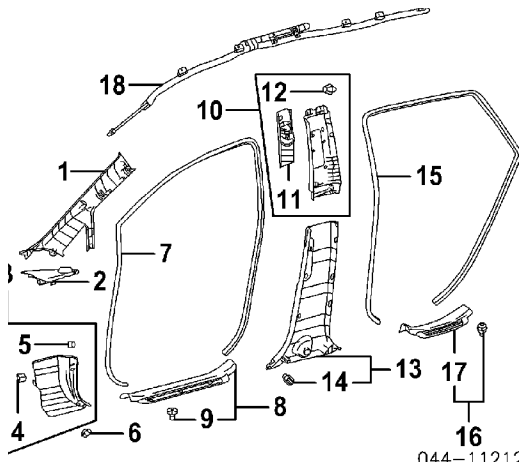
¶Included w/Rocker Cover Assy

5 Screw, Mounting	R	90080-16111	\$1.35
	L	90080-16111	\$1.35
6 Grommet, Screw	R	90189-04058	\$0.98
	L	90189-04058	\$0.98

7 Cover, Rocker End-See Quarter Panel Section

8 Protector, Rocker Cover-See Quarter Panel Section

INTERIOR TRIM



1 Garnish Assy, Pillar-See Windshield Section

2 Moulding, Lower Corner				
w/Speaker	R	#.2	62218-0T020-C0	\$37.07
	L	#.2	62219-0T020-C0	\$37.07
w/o Speaker	R	#.2	62218-0T010-C0	\$33.38
	L	#.2	62219-0T010-C0	\$33.38
Speaker, Pillar	R	#.2	86160-AC450	\$98.09
	L	#.2	86160-AC450	\$98.09

#R&R One Side Complete, Included in R&I/R&R Pillar Glass

3 Trim Assy, Cowl Side				
Gray	R	#.3	62101-0T010-B0	\$51.79

2010 Toyota Venza (none) Wagon

	L	#.3	62102-0T010-B0	\$51.79
Ivory	R	#.3	62101-0T010-A0	\$51.79
	L	#.3	62102-0T010-A0	\$51.79
#Includes R&R Front Scuff Plate				
Clip, Cowl Trim¶				
4 No. 1	R		90467-A0006	\$1.06
	L		90467-A0006	\$1.06
5 No. 2	R		90467-A0025	\$1.06
	L		90467-A0025	\$1.06
¶Included w/Cowl Side Trim Assy				
6 Retainer, Cowl Side Trim	R		90467-A0024	\$1.06
	L		90467-A0024	\$1.06
7 W/Strip, Frt Door Opening (On Body)	R	#.5	62311-0T010	\$76.77
	L	#.5	62312-0T010	\$76.77
#Includes R&R Front Scuff Plate				
8 Plate Assy, Front Scuff				
w/Leather Pkg				
Gray	R	.2	67913-0T010-B0	\$128.72
	L	.2	67914-0T010-B0	\$128.72
Ivory	R	.2	67913-0T010-A0	\$128.72
	L	.2	67914-0T010-A0	\$128.72
w/o Leather Pkg				
Gray	R	.2	67913-0T020-B0	\$95.86
	L	.2	67914-0T020-B0	\$95.86
Ivory	R	.2	67913-0T020-A0	\$95.86
	L	.2	67914-0T020-A0	\$95.86
9 Clip, Front Scuff Plate (3/Side) (a)	R		75867-AA010	\$4.66
	L		75867-AA010	\$4.66
(a) Included w/Front Scuff Plate Assy				
10 Garnish Assy, Upper Center Pillar				
Gray	R	#.9	62410-0T010-B1	\$119.63
	L	#.9	62420-0T010-B1	\$119.63
Ivory	R	#.9	62410-0T010-A1	\$119.63
	L	#.9	62420-0T010-A1	\$119.63

#Includes R&R Lower Center Pillar Garnish

11Plate, Seat Belt Anchor (b)

2010 Toyota Venza (none) Wagon

Gray	R		73023-06030-B1	\$22.32
	L		73024-06030-B1	\$22.32
Ivory	R		73023-06030-A0	\$22.32
	L		73024-06030-A0	\$22.32
12 Clip, Upr Ctr Pillar Garnish (b)	R		62217-13010	\$1.11
	L		62217-13010	\$1.11

(b) Included w/Upper Center Pillar Garnish Assy

13 Garnish Assy, Lower Center Pillar

Gray	R	#.5	62413-0T010-B0	\$123.49
	L	#.5	62414-0T010-B0	\$123.49
Ivory	R	#.5	62413-0T010-A0	\$123.49
	L	#.5	62414-0T010-A0	\$123.49

#Includes R&R Front & Rear Scuff Plates

14 Clip, Lwr Ctr Pillar Garnish (c)	R		90467-A0006	\$1.06
	L		90467-A0006	\$1.06

(c) Included w/Lower Center Pillar Garnish Assy

15 W/Strip, Rear Door Opening (On Body)	R	#.5	62331-0T010	\$70.59
	L	#.5	62332-0T010	\$70.59

#Includes R&R Rear Scuff Plate

16 Plate Assy, Rear Scuff

Gray	R	#.2	67917-0T020-B0	\$57.36
	L	#.2	67918-0T020-B0	\$57.36
Ivory	R	#.2	67917-0T020-A0	\$57.36
	L	#.2	67918-0T020-A0	\$57.36

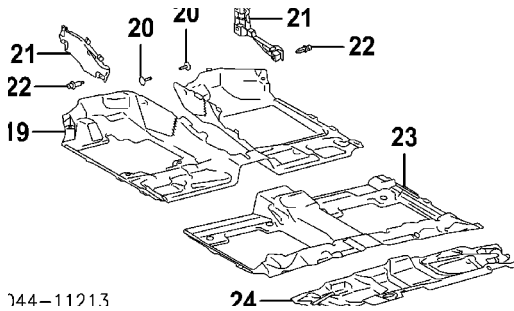
#Included in R&R Lower Quarter Trim Panel

17 Clip, Front Scuff Plate (3/Side) (d)	R		75867-AA010	\$4.66
	L		75867-AA010	\$4.66

(d) Included w/Rear Scuff Plate Assy

18 Module, Side Curtain Air Bag-See Air Bag System Section

2010 Toyota Venza (none) Wagon



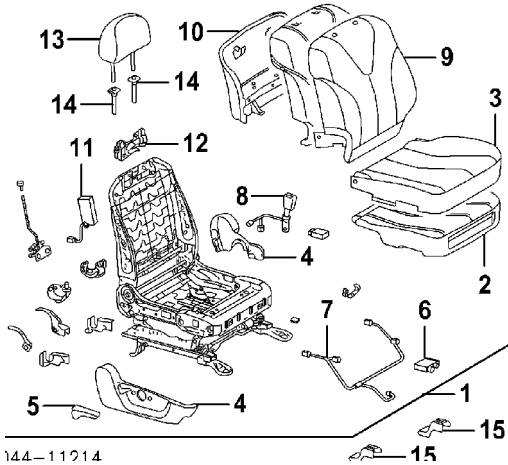
144-11213			
19 Carpet, Front		58510-0T010-C0	\$526.43
20 Fastener, Front Carpet	R	90530-30006	\$3.30
	L	90530-30006	\$3.30
21 Bracket, Carpet	R	58543-0T010	\$31.95
	L	58544-0T010	\$45.81
22 Clip, Front (3/Side)	R	90467-A0016-C0	\$0.77
	L	90467-A0016-C0	\$0.77
23 Carpet, Rear		58514-0T010-C0	\$462.36
24 Insulator, Rear Floor			
To 12-08		58556-0T011	\$87.45
From 1-09		58556-0T011	\$87.45
Harness, Floor Wiring (e)	R	82161-0T060	\$789.74
	L	82162-0T180	\$626.43
(e) Order by Application			

2010 Toyota Venza (none) Wagon

FRONT SEAT

PASSENGER SIDE

MANUAL



144-11214

R&I Seat Assy

.4

1 Seat Assy, Front-See Air Bag System Section

2 Pad, Seat Cushion¶	#1.0	71511-0T010	\$141.33
3 Cover, Seat Cushion¶			
Gray	#1.0	71071-0T010-B1	\$347.29
Ivory	#1.0	71071-0T010-A1	\$347.29

#R&R Complete, w/Seat Assy Removed

4 Shield, Side Cushion¶

Gray	R	#.2	71811-0T010-B0	\$89.54
	L	#.2	71861-AA070-B4	\$34.30
Ivory	R	#.2	71811-0T010-A0	\$89.54
	L	#.2	71861-AA070-A0	\$34.30

#Included in R&R Seat Cushion

5 Handle, Recline¶

Gray			72525-06020-B3	\$14.00
Ivory			72525-06020-A0	\$14.00

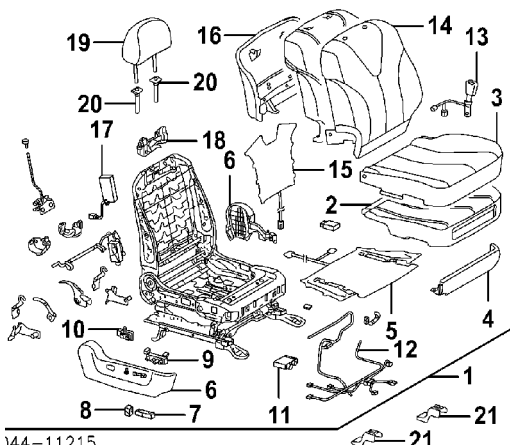
6 Module, OPDS-See Air Bag System Section¶

7 Harness, Seat¶			82191-0C010	\$119.35
8 Buckle, Seat Belt¶				
Gray		#.2	73230-0C150-B1	\$45.67
Ivory		#.2	73230-0C150-A0	\$45.67
9 Cover, Seat Back¶				
Gray		#1.2	71073-0T010-B0	\$500.09

2010 Toyota Venza (none) Wagon

Ivory	#1.2	71073-0T010-A0	\$500.09
#w/Seat Assy Removed			
10 Board, Seat Back¶			
Gray	#.2	71705-06100-B2	\$157.42
Ivory	#.2	71705-06100-A0	\$157.42
11 Module, Seat Air Bag-See Air Bag System Section¶			
		71643-04010	\$79.77
12 Control Unit, Active Headrest¶			
13 Headrest¶			
Gray	#.2	71910-0T010-B1	\$384.80
Ivory	#.2	71910-0T010-A1	\$384.80
#Included in R&R Seat Back			
14 Guide, Headrest¶			
Locking			
Gray		71930-44020-B8	\$13.29
Ivory		71930-44020-A0	\$14.55
Non-Locking			
Gray		71931-47010-P3	\$8.12
Ivory		71931-47010-A0	\$8.12
¶Included w/Front Seat Assy			
15 Cover, Seat Track	R	72137-0T020-C0	\$13.26
	L	72157-0T020-C0	\$11.35

PASSENGER SIDE
POWER



R&I Seat Assy

.4

1 Seat Assy, Front-See Air Bag System Section			
2 Pad, Seat Cushion¶			
Cloth Seats	#1.0	71511-0T010	\$141.33

2010 Toyota Venza (none) Wagon

Leather Seats		#1.0	71511-0T020	\$135.38
3 Cover, Seat Cushion¶				
Cloth				
Gray		#1.0	71071-0T010-B1	\$347.29
Ivory		#1.0	71071-0T010-A1	\$347.29
Leather				
Heated Seat				
Gray		#1.0	71071-0T030-B0	\$680.70
Ivory		#1.0	71071-0T030-A0	\$680.70
Non-Heated Seat				
Gray		#1.0	71071-0T020-B0	\$680.70
Ivory		#1.0	71071-0T020-A0	\$680.70
#R&R Complete, w/Seat Assy Removed				
4 Shield, Front Cushion¶				
Gray		#.2	71867-06040-B2	\$50.73
Ivory		#.2	71867-06040-A0	\$50.73
#Included in R&R Seat Cushion				
5 Heater, Seat Cushion¶		#1.0	87510-0T010	\$377.79
#Included in R&R Seat Cushion, w/Seat Assy Removed				
6 Shield, Side Cushion¶				
Gray	R	#.2	71811-0T020-B0	\$89.54
	L	#.2	71861-06050-B2	\$49.33
Ivory	R	#.2	71811-0T020-A0	\$89.54
	L	#.2	71861-06050-A0	\$49.33
#Included in R&R Seat Cushion				
7 Knob, Slide/Vertical Switch¶				
Gray			84921-AE020-B5	\$14.80
Ivory			84921-AE020-A0	\$14.80
8 Knob, Recline¶				
Gray			84921-AE010-B6	\$8.26
Ivory			84921-AE010-A0	\$8.26
9 Switch, Power Seat¶			84922-0E010	\$147.33
10 Switch, Lumbar¶				
Gray			84920-AE010-B3	\$62.96
Ivory			84920-AE010-A0	\$62.96
11 Module, OPDS-See Air Bag System Section¶				
12 Harness, Seat¶				
Heated Seat			82191-0T020	\$193.20

2010 Toyota Venza (none) Wagon

	Non-Heated Seat		82191-0T010	\$193.20
13	Buckle, Seat Belt¶			
	Cloth Seats			
	Gray	#.2	73230-0C150-B1	\$45.67
	Ivory	#.2	73230-0C150-A0	\$45.67
	Leather Seats			
	Gray	#.2	73230-0C160-B1	\$45.67
	Ivory	#.2	73230-0C160-A0	\$45.67
	#w/Seat Assy Removed			
14	Cover, Seat Back¶			
	Cloth			
	Gray	#1.2	71073-0T010-B0	\$500.09
	Ivory	#1.2	71073-0T010-A0	\$500.09
	Leather			
	Heated Seat			
	Gray	#1.2	71073-0T030-B0	\$886.28
	Ivory	#1.2	71073-0T030-A0	\$886.28
	Non-Heated Seat			
	Gray	#1.2	71073-0T020-B0	\$886.28
	Ivory	#1.2	71073-0T020-A0	\$886.28
15	Heater, Seat Back¶	#1.2	87530-0T010	\$272.51
	#R&R Complete, w/Seat Assy Removed			
16	Board, Seat Back¶			
	Gray	#.2	71705-06050-B2	\$157.42
	Ivory	#.2	71705-06050-A0	\$157.42
17	Module, Seat Air Bag-See Air Bag System Section¶			
18	Control Unit, Active Headrest¶		71643-04010	\$79.77
19	Headrest¶			
	Cloth			
	Gray	#.2	71910-0T010-B1	\$384.80
	Ivory	#.2	71910-0T010-A1	\$384.80
	Leather			
	Gray	#.2	71910-0T020-B1	\$528.21
	Ivory	#.2	71910-0T020-A1	\$528.21
	#Included in R&R Seat Back			
20	Guide, Headrest¶			
	Locking			
	Gray		71930-44020-B8	\$13.29
	Ivory		71930-44020-A0	\$14.55
	Non-Locking			
	Gray		71931-47010-P3	\$8.12

2010 Toyota Venza (none) Wagon

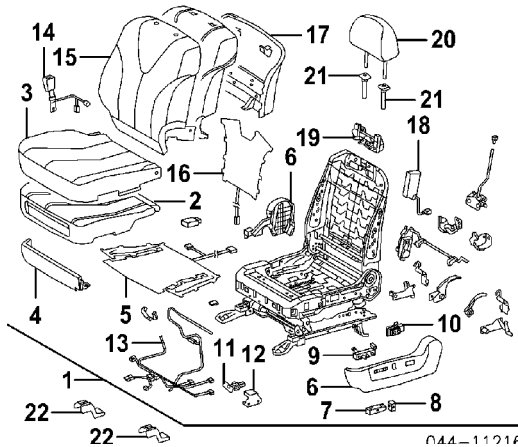
Ivory 71931-47010-A0 \$8.12

¶Included w/Front Seat Assy

21 Cover, Seat Track

Cloth Seats	R	72137-0T020-C0	\$13.26
	L	72157-0T020-C0	\$11.35
Leather Seats	R	72137-0T010-C0	\$16.60
	L	72157-0T010-C0	\$16.20

DRIVER SIDE



R&I Seat Assy

.4

1 Seat Assy, Front-See Air Bag System Section

2 Pad, Seat Cushion¶

Cloth Seats	#1.0	71512-0T020	\$173.85
Leather Seats	#1.0	71512-0T010	\$173.85

3 Cover, Seat Cushion¶

Cloth			
Gray	#1.0	71072-0T010-B1	\$347.29
Ivory	#1.0	71072-0T010-A1	\$347.29
Leather			
Heated Seat			
Gray	#1.0	71072-0T040-B0	\$680.70
Ivory	#1.0	71072-0T040-A0	\$680.70
Non-Heated Seat			
Gray	#1.0	71072-0T020-B0	\$680.70
Ivory	#1.0	71072-0T020-A0	\$680.70

#R&R Complete, w/Seat Assy Removed

4 Shield, Front Cushion¶

Gray	#.2	71868-06040-B2	\$50.73
Ivory	#.2	71868-06040-A0	\$50.73

2010 Toyota Venza (none) Wagon

#Included in R&R Seat Cushion			
5	Heater, Seat Cushion¶	#1.0	87510-0T010 \$377.79
#Included in R&R Seat Cushion, w/Seat Assy Removed			
6	Shield, Side Cushion¶		
	Gray	R #.2	71862-06060-B2 \$49.33
		L #.2	71812-0T010-B0 \$89.54
	Ivory	R #.2	71862-06060-A0 \$49.33
		L #.2	71812-0T010-A0 \$89.54
#Included in R&R Seat Cushion			
7	Knob, Slide/Vertical Switch¶		
	Gray		84921-AE020-B5 \$14.80
	Ivory		84921-AE020-A0 \$14.80
8	Knob, Recline¶		
	Gray		84921-AE010-B6 \$8.26
	Ivory		84921-AE010-A0 \$8.26
9	Switch, Power Seat¶		84922-AE010 \$121.75
10	Switch, Lumbar¶		
	Gray		84920-AE010-B3 \$62.96
	Ivory		84920-AE010-A0 \$62.96
11	Sensor, Seat Position-See Air Bag System Section¶		
12	Protector, Sensor-See Air Bag System Section¶		
13	Harness, Seat¶		
	Heated Seat		82192-0T020 \$165.79
	Non-Heated Seat		82192-0T030 \$165.79
14	Buckle, Seat Belt¶		
	Cloth Seats		
	Gray	#.2	73240-0T020-B0 \$51.18
	Ivory	#.2	73240-0T020-A0 \$51.18
	Leather Seats		
	Gray	#.2	73240-0T010-B0 \$51.18
	Ivory	#.2	73240-0T010-A0 \$51.18
	#w/Seat Assy Removed		
15	Cover, Seat Back¶		
	Cloth		
	Gray	#1.2	71074-0T010-B0 \$500.09
	Ivory	#1.2	71074-0T010-A0 \$500.09
	Leather		

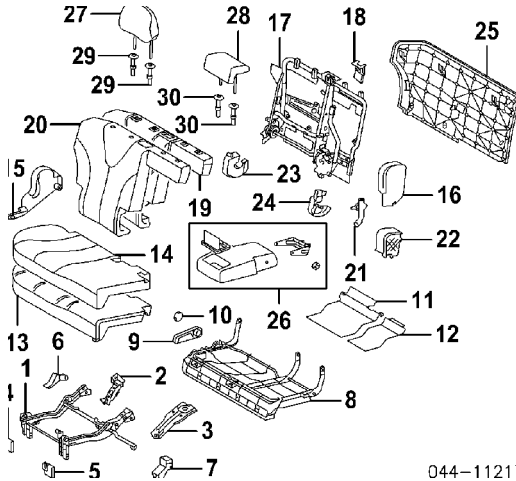
2010 Toyota Venza (none) Wagon

Heated Seat			
Gray	#1.2	71074-0T040-B0	\$886.28
Ivory	#1.2	71074-0T040-A0	\$886.28
Non-Heated Seat			
Gray	#1.2	71074-0T020-B0	\$886.28
Ivory	#1.2	71074-0T020-A0	\$886.28
16 Heater, Seat Back¶	#1.2	87530-0T010	\$272.51
#R&R Complete, w/Seat Assy Removed			
17 Board, Seat Back¶			
Gray	#.2	71706-06010-B2	\$157.42
Ivory	#.2	71706-06010-A0	\$157.42
18 Module, Seat Air Bag-See Air Bag System Section¶			
		71643-04010	\$79.77
19 Control Unit, Active Headrest¶			
20 Headrest¶			
Cloth			
Gray	#.2	71910-0T010-B1	\$384.80
Ivory	#.2	71910-0T010-A1	\$384.80
Leather			
Gray	#.2	71910-0T020-B1	\$528.21
Ivory	#.2	71910-0T020-A1	\$528.21
#Included in R&R Seat Back			
21 Guide, Headrest¶			
Locking			
Gray		71930-44020-B8	\$13.29
Ivory		71930-44020-A0	\$14.55
Non-Locking			
Gray		71931-47010-P3	\$8.12
Ivory		71931-47010-A0	\$8.12
¶Included w/Front Seat Assy			
22 Cover, Seat Track			
Cloth Seats		R	72158-0T020-C0 \$11.75
		L	72138-0T010-C0 \$13.26
Leather Seats		R	72158-0T010-C0 \$16.20
		L	72138-0T020-C0 \$16.60

2010 Toyota Venza (none) Wagon

REAR SEAT

RIGHT SIDE



044-11217

R&I Seat Assy			.4		
1	Leg, Rear Seat #w/Seat Assy Removed Leg, Seat	R	#.4	79110-0T010	\$292.80
2	Outer	R		79305-0T010	\$42.33
3	Inner Cover, Front Seat Track	R		79306-0T020	\$58.07
4	Outer	R		72159-0T010-C0	\$15.15
5	Inner Cover, Seat Leg	R		72152-0T020-C0	\$15.49
6	Outer Gray	R		79956-0T010-B0	\$7.03
	Ivory	R		79956-0T010-A0	\$7.03
7	Inner Gray	R		79956-0T040-B0	\$12.35
	Ivory	R		79956-0T040-A0	\$12.35
8	Frame, Seat Cushion	R	#1.2	71015-0T010	\$238.58
9	Lever, Recliner Gray	R		72735-0C010-B1	\$45.81
	Ivory	R		72735-0C010-A0	\$45.81
10	Cap Gray	R		71848-0C020-B1	\$6.60
	Ivory	R		71848-0C020-A0	\$6.60
	Cover, Frame				
11	No. 1	R		72907-0T010	\$113.00
12	No. 2	R		72907-0T020	\$113.00
13	Pad, Cushion	R	#1.2	71611-0T010	\$173.85
14	Cover, Seat Cushion Cloth				

2010 Toyota Venza (none) Wagon

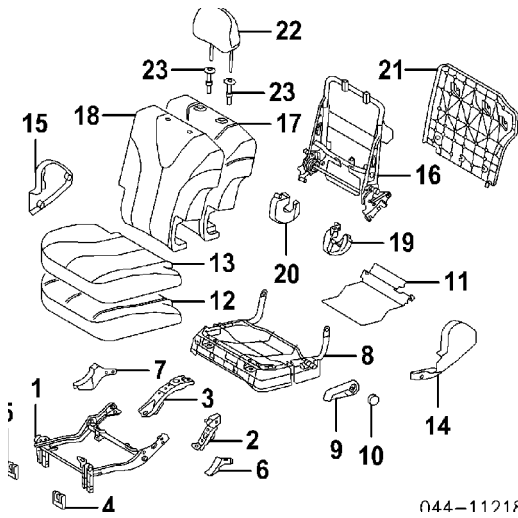
	Gray	R	#1.2	71075-0T010-B1	\$350.07
	Ivory	R	#1.2	71075-0T010-A1	\$350.07
	Leather				
	Gray	R	#1.2	71075-0T020-B0	\$677.91
	Ivory	R	#1.2	71075-0T020-A0	\$677.91
#R&R Complete, w/Seat Assy Removed					
Cover, Recliner					
15	Outer				
	Gray	R	#.2	71833-0T010-B0	\$38.84
	Ivory	R	#.2	71833-0T010-A0	\$38.84
16	Inner				
	Gray	R	#.2	71878-0T010-B0	\$31.44
	Ivory	R	#.2	71878-0T010-A0	\$31.44
#Included in R&R Seat Cushion					
17	Frame, Seat Back	R	#1.2	71017-0T010	\$374.31
#Included in R&R Seat Cushion, w/Seat Assy Removed					
18 Cover, Shoulder Anchor-See Seat Belts Section					
19	Pad, Seat Back	R	#1.4	71651-0T010	\$173.85
20	Cover, Seat Back				
	Cloth				
	Gray	R	#1.4	71077-0T010-B1	\$439.41
	Ivory	R	#1.4	71077-0T010-A1	\$439.41
	Leather				
	Gray	R	#1.4	71077-0T020-B0	\$840.13
	Ivory	R	#1.4	71077-0T020-A0	\$840.13
#R&R Complete, w/Seat Assy Removed					
21	Hinge, Seat Back	R		71343-0T010	\$46.87
22	Cover, Hinge				
	Gray	R		71395-0T010-B0	\$31.44
	Ivory	R		71395-0T010-A0	\$31.44
	Cover, Adjuster				
23	Outer				
	Gray	R		71875-0T010-B0	\$18.89
	Ivory	R		71875-0T010-A0	\$18.89
24	Inner				
	Gray	R		71875-0T020-B0	\$18.89
	Ivory	R		71875-0T020-A0	\$18.89
25	Board, Seat Back				

2010 Toyota Venza (none) Wagon

Gray	R		71881-0T010-B1	\$157.07
Ivory	R		71881-0T010-A1	\$157.07
Cable, Seat Lock-See Quarter Panel Section				
26 Armrest, Center				
Cloth				
Gray	R	#.2	72830-0T010-B0	\$481.11
Ivory	R	#.2	72830-0T010-A0	\$481.11
Leather				
Gray	R	#.2	72830-0T020-B0	\$846.87
Ivory	R	#.2	72830-0T020-A0	\$846.87
#w/Seat Assy Removed				
27 Headrest, Outer				
Cloth				
Gray	R	#.2	71940-0T010-B0	\$384.80
Ivory	R	#.2	71940-0T010-A0	\$384.80
Leather				
Gray	R	#.2	71940-0T020-B0	\$528.21
Ivory	R	#.2	71940-0T020-A0	\$528.21
28 Headrest, Inner				
Cloth				
Gray	R	#.2	71960-0T010-B0	\$309.95
Ivory	R	#.2	71960-0T010-A0	\$309.95
Leather				
Gray	R	#.2	71960-0T020-B0	\$419.78
Ivory	R	#.2	71960-0T020-A0	\$419.78
#Included in R&R Seat Back				
29 Guide, Outer Headrest				
Locking				
Gray	R		71930-44020-B8	\$13.29
Ivory	R		71930-44020-A0	\$14.55
Non-Locking				
Gray	R		71931-47010-P3	\$8.12
Ivory	R		71931-47010-A0	\$8.12
30 Guide, Inner Headrest				
Locking				
Gray	R		71930-44020-B8	\$13.29
Ivory	R		71930-44020-A0	\$14.55
Non-Locking				
Gray	R		71931-47010-P3	\$8.12
Ivory	R		71931-47010-A0	\$8.12

LEFT SIDE

2010 Toyota Venza (none) Wagon



044-1121F

R&I Seat Assy

			.4		
1	Leg, Rear Seat #w/Seat Assy Removed Leg, Seat	L	#.4	79110-0T020	\$229.12
2	Outer	L		79306-0T030	\$40.24
3	Inner Cover, Front Seat Track	L		79306-0T010	\$52.47
4	Outer	L		72159-0T020-C0	\$15.15
5	Inner Cover, Seat Leg	L		72152-0T010-C0	\$13.26
6	Outer Gray	L		79956-0T020-B0	\$7.03
	Ivory	L		79956-0T020-A0	\$7.03
7	Inner Gray	L		79956-0T030-B0	\$13.60
	Ivory	L		79956-0T030-A0	\$13.60
8	Frame, Seat Cushion	L	#1.0	71016-0T010	\$187.51
9	Lever, Recliner Gray	L		72736-0C010-B1	\$45.81
	Ivory	L		72736-0C010-A0	\$45.81
10	Cap Gray	L		71849-0C010-B1	\$6.60
	Ivory	L		71849-0C010-A0	\$6.60
11	Cover, Frame			72908-0T010	\$113.00
12	Pad, Cushion	L	#1.0	71612-0T010	\$135.38
13	Cover, Seat Cushion Cloth Gray	L	#1.0	71076-0T010-B1	\$265.31
	Ivory	L	#1.0	71076-0T010-A1	\$265.31
	Leather				

2010 Toyota Venza (none) Wagon

	Gray	L	#1.0	71076-0T020-B0	\$508.42
	Ivory	L	#1.0	71076-0T020-A0	\$508.42
#R&R Complete, w/Seat Assy Removed					
Cover, Recliner					
14	Outer				
	Gray	L	#.2	71834-0T010-B0	\$38.84
	Ivory	L	#.2	71834-0T010-A0	\$38.84
15	Inner				
	Gray	L	#.2	71879-0T010-B0	\$31.44
	Ivory	L	#.2	71879-0T010-A0	\$31.44
#Included in R&R Seat Cushion					
16	Frame, Seat Back	L	#1.2	71018-0T010	\$247.33
17	Pad, Seat Back	L	#1.2	71652-0T010	\$141.33
18	Cover, Seat Back				
	Cloth				
	Gray	L	#1.2	71078-0T010-B1	\$322.29
	Ivory	L	#1.2	71078-0T010-A1	\$322.29
	Leather				
	Gray	L	#1.2	71078-0T020-B0	\$616.80
	Ivory	L	#1.2	71078-0T020-A0	\$616.80
#R&R Complete, w/Seat Assy Removed					
Cover, Adjuster					
19	Outer				
	Gray	L		71876-0T010-B0	\$18.89
	Ivory	L		71876-0T010-A0	\$18.89
20	Inner				
	Gray	L		71875-0T010-B0	\$18.89
	Ivory	L		71875-0T010-A0	\$18.89
21	Board, Seat Back				
	Gray	L	#.2	71882-0T010-B1	\$133.27
	Ivory	L	#.2	71882-0T010-A1	\$133.27
Cable, Seat Lock-See Quarter Panel Section					
22	Headrest				
	Cloth				
	Gray	L	#.2	71940-0T010-B0	\$384.80
	Ivory	L	#.2	71940-0T010-A0	\$384.80
	Leather				
	Gray	L	#.2	71940-0T020-B0	\$528.21
	Ivory	L	#.2	71940-0T020-A0	\$528.21
#Included in R&R Seat Back					

2010 Toyota Venza (none) Wagon

23 Guide, Headrest

Locking

Gray

L

71930-44020-B8

\$13.29

Ivory

L

71930-44020-A0

\$14.55

Non-Locking

Gray

L

71931-47010-P3

\$8.12

Ivory

L

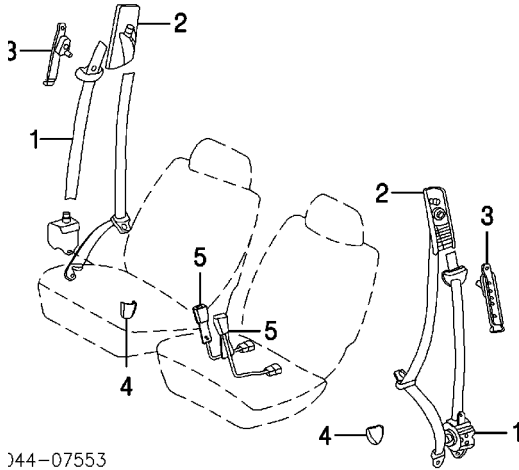
71931-47010-A0

\$8.12

2010 Toyota Venza (none) Wagon

SEAT BELTS

FRONT



J44-07553

1 Retractor, Seat Belt

Gray

R	#1.2	73210-0T011-B1	\$216.17
L	#1.2	73220-0T011-B1	\$216.17

Ivory

R	#1.2	73210-0T011-A1	\$216.17
L	#1.2	73220-0T011-A1	\$216.17

#Includes R&R Upper Center Pillar Garnish

Pretensioner, Seat Belt-Serviced w/Seat Belt Retractor

2 Plate, Seat Belt Anchor-See Rocker/Pillars/Floor Section

3 Adjuster, Shoulder Belt Anchor

R	#.2	73200-06040	\$57.36
L	#.2	73200-06040	\$57.36

#w/Upper & Lower Center Pillar Garnish Removed

4 Cover, Belt Anchor

Gray

R		73233-0C010-B1	\$6.37
L		73233-0C010-B1	\$6.37

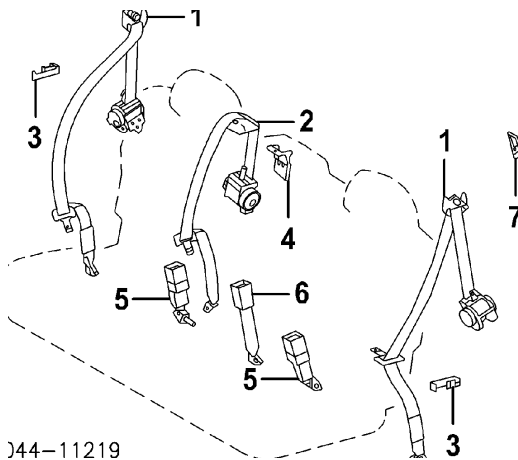
Ivory

R		73233-0C010-A0	\$6.37
L		73233-0C010-A0	\$6.37

5 Buckle, Seat Belt-See Front Seat Section

REAR

2010 Toyota Venza (none) Wagon



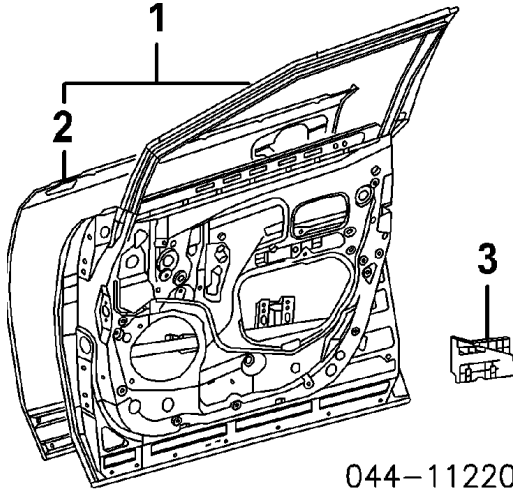
J44-11219				
1 Retractor, Outer Seat Belt				
Gray	R	#1.7	73360-0T010-B1	\$136.79
	L	#1.7	73370-0T010-B1	\$136.79
Ivory	R	#1.7	73360-0T010-A1	\$136.79
	L	#1.7	73370-0T010-A1	\$136.79
#Includes R&R Upper & Lower Quarter Trim, w/Seat Assy Removed				
2 Retractor, Center Seat Belt				
Gray		#.3	73350-0T010-B1	\$136.79
Ivory		#.3	73350-0T010-A1	\$136.79
3 Hanger, Belt-See Quarter Panel Section				
4 Cover, Shoulder Anchor			73373-0T010	\$15.49
5 Buckle, Outer Belt				
Gray	R	#.2	73380-0T010-B0	\$27.33
	L	#.2	73480-0T010-B0	\$27.33
Ivory	R	#.2	73380-0T010-A0	\$27.33
	L	#.2	73480-0T010-A0	\$27.33
6 Buckle, Center Belt				
Gray		#.2	73380-0T020-B0	\$21.79
Ivory		#.2	73380-0T020-A0	\$21.79
#w/Seat Assy Removed				
7 Bracket, Child Seat Anchor (3)			73719-0T010	\$3.80

2010 Toyota Venza (none) Wagon

FRONT DOOR

Procedures 16 and 28

SHEET METAL

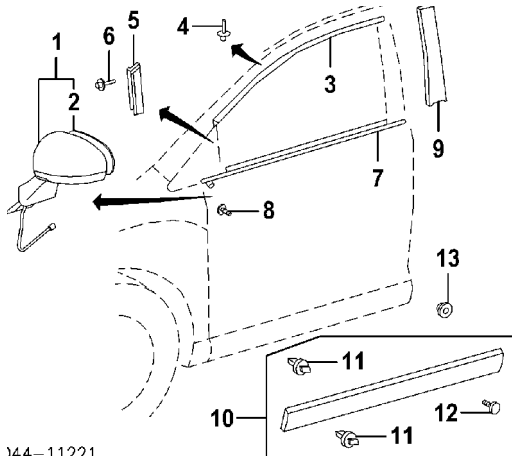


044-11220

Refinish Door Outside	R		2.4		
	L		2.4		
Add for Jambes & Interior	R		1.0		
	L		1.0		
Add for Jambes	R		.5		
	L		.5		
R&I Door Assy	R		1.0		
	L		1.0		
1 Shell Assy, Door (HSS)	R	#5.7	67001-0T021	\$772.47	
	L	#5.7	67002-0T021	\$772.47	
#Includes R&I/R&R Mirror Assy					
2 Panel, Door Repair¶	R	#7.7	67111-0T010	\$339.67	
	L	#7.7	67112-0T010	\$339.67	
¶Included w/Door Shell Assy					
#Includes R&I/R&R Mirror Assy & Door Glass					
3 Cushion, Door	R		67923-06090	\$40.93	
	L		67924-06020	\$40.93	

EXTERIOR TRIM

2010 Toyota Venza (none) Wagon



144-11221

Refinish Mirror Assy	R	.7		
	L	.7		
Refinish Lower Door Moulding	R	.7		
	L	.7		
R&I Mirror Assy	R	#.7		
	L	#.7		
#Includes R&I Trim Panel				
R&I Outer Belt Moulding	R	#1.0		
	L	#1.0		
#Includes R&R Door Glass				
R&I Upper Frame Moulding	R	.4		
	L	.4		
R&I Front Door Frame Moulding	R	.2		
	L	.2		
R&I Rear Door Frame Moulding	R	.2		
	L	.2		
R&I Lower Door Moulding	R	.3		
	L	.3		
1 Mirror Assy, Door				
Heated				
Black, (Code 202)	R	#.3	87910-0T020-C0	\$239.65
	L	#.3	87940-0T020-C0	\$239.65
Blue, (Code 8U6)	R	#.3	87910-0T020-J0	\$239.65
	L	#.3	87940-0T020-J0	\$239.65
Brown, (Code 4U2)	R	#.3	87910-0T020-E0	\$239.65
	L	#.3	87940-0T020-E0	\$239.65
Dark Brown, (Code 4U3)	R	#.3	87910-0T020-E1	\$239.65
	L	#.3	87940-0T020-E1	\$239.65
Gray, (Code 1G3)	R	#.3	87910-0T020-B1	\$239.65

2010 Toyota Venza (none) Wagon

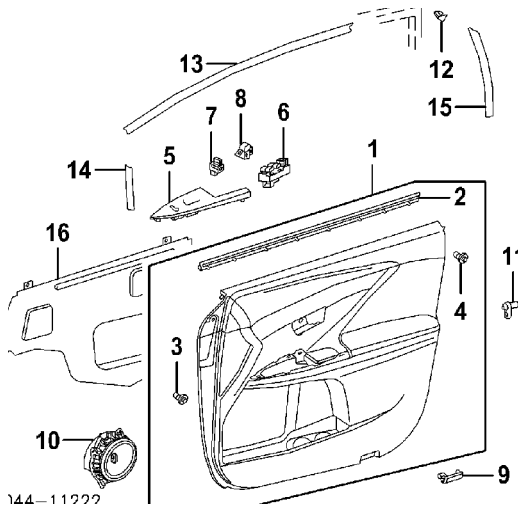
	L	#.3	87940-0T020-B1	\$239.65
Red, (Code 3R3)	R	#.3	87910-0T020-D0	\$239.65
	L	#.3	87940-0T020-D0	\$239.65
Silver, (Code 1F7)	R	#.3	87910-0T020-B0	\$239.65
	L	#.3	87940-0T020-B0	\$239.65
Turquoise, (Code 776)	R	#.3	87910-0T020-H0	\$239.65
	L	#.3	87940-0T020-H0	\$239.65
White Pearl, (Code 070)	R	#.3	87910-0T020-A0	\$239.65
	L	#.3	87940-0T020-A0	\$239.65
Non-Heated				
Black, (Code 202)	R	#.3	87910-0T010-C0	\$210.14
	L	#.3	87940-0T010-C0	\$210.14
Blue, (Code 8U6)	R	#.3	87910-0T010-J0	\$210.14
	L	#.3	87940-0T010-J0	\$210.14
Brown, (Code 4U2)	R	#.3	87910-0T010-E0	\$210.14
	L	#.3	87940-0T010-E0	\$210.14
Dark Brown, (Code 4U3)	R	#.3	87910-0T010-E1	\$210.14
	L	#.3	87940-0T010-E1	\$210.14
Gray, (Code 1G3)	R	#.3	87910-0T010-B1	\$210.14
	L	#.3	87940-0T010-B1	\$210.14
Red, (Code 3R3)	R	#.3	87910-0T010-D0	\$210.14
	L	#.3	87940-0T010-D0	\$210.14
Silver, (Code 1F7)	R	#.3	87910-0T010-B0	\$210.14
	L	#.3	87940-0T010-B0	\$210.14
Turquoise, (Code 776)	R	#.3	87910-0T010-H0	\$210.14
	L	#.3	87940-0T010-H0	\$210.14
White Pearl, (Code 070)	R	#.3	87910-0T010-A0	\$210.14
	L	#.3	87940-0T010-A0	\$210.14
#w/Trim Panel Removed				
2 Glass, Mirror¶				
Heated	R	.2	87931-0T020	\$66.10
	L	.2	87961-0T020	\$66.10
Non-Heated	R	.2	87931-0T010	\$40.21
	L	.2	87961-0T010	\$40.21
¶Included w/Door Mirror Assy				
3 Mldg, Upper Frame	R	.4	75753-0T010	\$57.36
	L	.4	75754-0T010	\$57.36
4 Rivet, Moulding (6/Side)	R		90269-A0006	\$0.43
	L		90269-A0006	\$0.43
5 Mldg, Front Door Frame	R	.3	75751-0T010	\$27.21
	L	.3	75752-0T010	\$27.21
6 Rivet, Moulding (2/Side)	R		90269-A0006	\$0.43
	L		90269-A0006	\$0.43
7 Mldg, Outer Belt	R	#.2	75711-0T010	\$83.97
	L	#.2	75712-0T010	\$83.97

2010 Toyota Venza (none) Wagon

#w/Door Glass Removed

8 Clip, Belt Mldg	R	90467-05162-C0	\$0.77
	L	90467-05162-C0	\$0.77
9 Mldg, Rear Door Frame	R	.2 75755-0T010	\$28.75
	L	.2 75756-0T010	\$28.75
		75071-0T900	
10 Moulding Assy, Lower Door (P)	R	.3	\$160.22
	L	.3 75072-0T900	\$160.22
		(P) Paint to Match	
11 Clip, Lower Mldg (13/Side) (a)	R	75395-0T010	\$5.49
	L	75395-0T010	\$5.49
12 Retainer, Lower Mldg (a)	R	75392-0T010	\$1.51
	L	75392-0T010	\$1.51
		(a) Included w/Lower Door Moulding Assy	
13 Nut, Mldg	R	90080-17189	\$1.67
	L	90080-17189	\$1.67

INTERIOR TRIM



R&I Trim Panel Assy

R	.4
L	.4

NOTE: All Parts in this section are included in R&R Trim Panel Assy unless noted otherwise.

1 Panel Assy, Door Trim

Cloth

6 Speaker System

Gray

R .6 67610-0T010-C1 \$605.17

L .6 67620-0T010-C1 \$605.17

Ivory

R .6 67610-0T010-C0 \$605.17

L .6 67620-0T010-C0 \$605.17

2010 Toyota Venza (none) Wagon

13 Speaker System			
Gray	R	.6	67610-0T020-C1 \$605.17
	L	.6	67620-0T020-C1 \$605.17
Ivory	R	.6	67610-0T020-C0 \$605.17
	L	.6	67620-0T020-C0 \$605.17
Leather			
6 Speaker System			
Gray	R	.6	67610-0T040-C1 \$640.15
	L	.6	67620-0T040-C1 \$640.15
Ivory	R	.6	67610-0T040-C0 \$640.15
	L	.6	67620-0T040-C0 \$640.15
13 Speaker System			
Gray	R	.6	67610-0T030-C1 \$640.15
	L	.6	67620-0T030-C1 \$640.15
Ivory	R	.6	67610-0T030-C0 \$640.15
	L	.6	67620-0T030-C0 \$640.15
2 Mldg, Inner Belt¶	R	#.2	68171-0T010 \$23.24
	L	#.2	68172-0T010 \$23.24
#w/Trim Panel Removed			
Clip, Trim Panel¶			
3 Type 1, (8/Side)	R		90467-A0005 \$1.14
	L		90467-A0005 \$1.14
4 Type 2, (2/Side)	R		90467-09203 \$1.09
	L		90467-09203 \$1.09
¶Included w/Door Trim Panel Assy			
5 Panel, Armrest Base			
w/Leather Pkg	R	#.2	74231-0T020-E0 \$32.92
	L	#.2	74232-0T020-E0 \$30.35
w/o Leather Pkg	R	#.2	74231-0T010-E0 \$32.92
	L	#.2	74232-0T010-E0 \$30.35
6 Switch, Master	L	#.2	84040-06020 \$437.27
7 Switch, Door Lock	R	#.2	84930-0C010 \$65.76
8 Switch, Power Window	R	#.2	84810-0T010 \$211.29
#R&R One Side Complete			
9 Lamp Assy, Courtesy	R	.2	81230-47010 \$17.33
	L	.2	81230-47010 \$17.33
Bulb, Courtesy Lamp (a)	R	.2	90981-12010 \$2.46
	L	.2	90981-12010 \$2.46
(a) Included w/Courtesy Lamp Assy			
10 Speaker, Door			
6 Speaker System	R	#.2	86160-AA440 \$52.90
	L	#.2	86160-AA440 \$52.90
13 Speaker System	R	#.2	86160-0T010 \$139.54

2010 Toyota Venza (none) Wagon

	L	#.2	86160-0T010	\$139.54
11 Switch, Courtesy Lamp	R		84231-08030	\$18.38
	L		84231-08030	\$18.38
12 Garnish, Upper Door	R	#.2	67663-06010	\$2.60
	L	#.2	67664-06010	\$2.60
13 Tape, Upper Black-Out	R	#.2	75985-0T010	\$39.53
	L	#.2	75986-0T010	\$39.53
14 Tape, Front Black-Out	R	#.2	75921-0T010	\$7.80
	L	#.2	75922-0T010	\$7.80
15 Tape, Rear Black-Out	R	#.2	75975-0T010	\$22.15
	L	#.2	75976-0T010	\$22.15

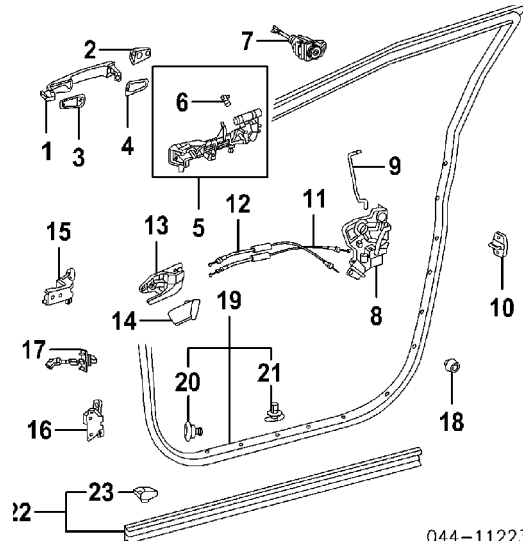
#Not Included in R&R Trim Panel

16 Cover, Service Hole (n)	R	#	67831-0T011	\$20.12
	L	#	67832-0T011	\$20.12

(n) Non-Reusable Part

#w/Trim Panel Removed, Not Included in R&R Trim Panel

HARDWARE



Refinish Outer Door Handle	R	.5		
	L	.5		
Refinish Outer Handle Cover	R	.2		
	L	.2		
Refinish Upper Door Hinge	R	.5		
	L	.5		
Refinish Lower Door Hinge	R	.5		
	L	.5		

2010 Toyota Venza (none) Wagon

R&I Outer Door Handle	R	#.7		
	L	#.7		
#Includes R&I Trim Panel				
1 Handle, Outer Door				
w/Push Button Start				
Black, (Code 202)	R	#.3	69210-0T020-C0	\$199.06
	L	#.3	69210-0T020-C0	\$199.06
Blue, (Code 8U6)	R	#.3	69210-0T020-J0	\$199.06
	L	#.3	69210-0T020-J0	\$199.06
Brown, (Code 4U2)	R	#.3	69210-0T020-E0	\$199.06
	L	#.3	69210-0T020-E0	\$199.06
Dark Brown, (Code 4U3)	R	#.3	69210-0T020-E1	\$199.06
	L	#.3	69210-0T020-E1	\$199.06
Gray, (Code 1G3)	R	#.3	69210-0T020-B1	\$199.06
	L	#.3	69210-0T020-B1	\$199.06
Red, (Code 3R3)	R	#.3	69210-0T020-D0	\$199.06
	L	#.3	69210-0T020-D0	\$199.06
Silver, (Code 1F7)	R	#.3	69210-0T020-B0	\$199.06
	L	#.3	69210-0T020-B0	\$199.06
Turquoise, (Code 776)	R	#.3	69210-0T020-H0	\$199.06
	L	#.3	69210-0T020-H0	\$199.06
White Pearl, (Code 070)	R	#.3	69210-0T020-A0	\$199.06
	L	#.3	69210-0T020-A0	\$199.06
w/o Push Button Start				
Black, (Code 202)	R	#.3	69210-0T010-C0	\$104.60
	L	#.3	69210-0T010-C0	\$104.60
Blue, (Code 8U6)	R	#.3	69210-0T010-J0	\$104.60
	L	#.3	69210-0T010-J0	\$104.60
Brown, (Code 4U2)	R	#.3	69210-0T010-E0	\$104.60
	L	#.3	69210-0T010-E0	\$104.60
Dark Brown, (Code 4U3)	R	#.3	69210-0T010-E1	\$104.60
	L	#.3	69210-0T010-E1	\$104.60
Gray, (Code 1G3)	R	#.3	69210-0T010-B1	\$104.60
	L	#.3	69210-0T010-B1	\$104.60
Red, (Code 3R3)	R	#.3	69210-0T010-D0	\$104.60
	L	#.3	69210-0T010-D0	\$104.60
Silver, (Code 1F7)	R	#.3	69210-0T010-B0	\$104.60
	L	#.3	69210-0T010-B0	\$104.60
Turquoise, (Code 776)	R	#.3	69210-0T010-H0	\$104.60
	L	#.3	69210-0T010-H0	\$104.60
White Pearl, (Code 070)	R	#.3	69210-0T010-A0	\$104.60
	L	#.3	69210-0T010-A0	\$104.60
2 Cover, Outer Handle				
w/Push Button Start				
Black, (Code 202)	R	#.3	69250-0T040-C0	\$26.86
	L	#.3	69250-0T030-C0	\$15.03

2010 Toyota Venza (none) Wagon

Blue, (Code 8U6)	R	#.3	69250-0T040-J0	\$26.86
	L	#.3	69250-0T030-J0	\$15.03
Brown, (Code 4U2)	R	#.3	69250-0T040-E0	\$26.86
	L	#.3	69250-0T030-E0	\$15.03
Dark Brown, (Code 4U3)	R	#.3	69250-0T040-E1	\$26.86
	L	#.3	69250-0T030-E1	\$15.03
Gray, (Code 1G3)	R	#.3	69250-0T040-B1	\$26.86
	L	#.3	69250-0T030-B1	\$15.03
Red, (Code 3R3)	R	#.3	69250-0T040-D0	\$26.86
	L	#.3	69250-0T030-D0	\$15.03
Silver, (Code 1F7)	R	#.3	69250-0T040-B0	\$26.86
	L	#.3	69250-0T030-B0	\$15.03
Turquoise, (Code 776)	R	#.3	69250-0T040-H0	\$26.86
	L	#.3	69250-0T030-H0	\$15.03
White Pearl, (Code 070)	R	#.3	69250-0T040-A0	\$26.86
	L	#.3	69250-0T030-A0	\$15.03
w/o Push Button Start				
Black, (Code 202)	R	#.3	69250-0T010-C0	\$16.98
	L	#.3	69217-0T010-C0	\$7.54
Blue, (Code 8U6)	R	#.3	69250-0T010-J0	\$16.98
	L	#.3	69217-0T010-J0	\$7.54
Brown, (Code 4U2)	R	#.3	69250-0T010-E0	\$16.98
	L	#.3	69217-0T010-E0	\$7.54
Dark Brown, (Code 4U3)	R	#.3	69250-0T010-E1	\$16.98
	L	#.3	69217-0T010-E1	\$7.54
Gray, (Code 1G3)	R	#.3	69250-0T010-B1	\$16.98
	L	#.3	69217-0T010-B1	\$7.54
Red, (Code 3R3)	R	#.3	69250-0T010-D0	\$16.98
	L	#.3	69217-0T010-D0	\$7.54
Silver, (Code 1F7)	R	#.3	69250-0T010-B0	\$16.98
	L	#.3	69217-0T010-B0	\$7.54
Turquoise, (Code 776)	R	#.3	69250-0T010-H0	\$16.98
	L	#.3	69217-0T010-H0	\$7.54
White Pearl, (Code 070)	R	#.3	69250-0T010-A0	\$16.98
	L	#.3	69217-0T010-A0	\$7.54
3 Pad, Front Outside Handle	R	#.3	69241-0T010	\$0.89
	L	#.3	69241-0T010	\$0.89
4 Pad, Rear Outside Handle	R	#.3	69242-0T010	\$0.89
	L	#.3	69242-0T010	\$0.89
#R&R One Side Complete, w/Trim Panel Removed				
5 Frame Assy, Outside Handle	R	#.5	69201-0T010	\$79.39
	L	#.5	69202-0T010	\$79.39

2010 Toyota Venza (none) Wagon

#w/Trim Panel Removed, Includes R&L/R&R Outside Handle

6 Snap, Outside Handle	R		69293-12030	\$2.46
	L		69293-12040	\$2.46

¶Included w/Outside Handle Frame Assy

7 Cylinder, Door Lock (a)	L	#.3	69052-0T010	\$66.40
---------------------------	---	-----	-------------	---------

(a) Included w/Complete Lock Set-listed in Steering Wheel/Column Section

#w/Trim Panel Removed, Included in R&L/R&R Outside Handle

8 Latch, Door	R	#.3	69030-06200	\$297.54
	L	#.3	69040-06180	\$316.95

#w/Door Glass Removed

9 Rod, Door Latch	R		69311-0T010	\$8.77
	L		69312-0T010	\$8.77

10 Striker, Front Door	R	.2	69410-AA030	\$21.61
	L	.2	69410-AA030	\$21.61

11 Cable, Lock Control	R	#.2	69710-0T010	\$19.49
	L	#.2	69710-0T010	\$19.49

12 Cable, Inside Locking	R	#.2	69750-0T010	\$21.92
	L	#.2	69750-0T010	\$21.92

13 Handle, Inside				
Gray	R	#.2	69205-0T010-B0	\$37.78
	L	#.2	69206-0T010-B0	\$37.78
Ivory	R	#.2	69205-0T010-A0	\$37.78
	L	#.2	69206-0T010-A0	\$37.78

#w/Trim Panel Removed

14 Plug, Inside Bezel				
Gray	R		69283-0T010-B0	\$8.63
	L		69284-0T010-B0	\$8.63
Ivory	R		69283-0T010-A0	\$8.63
	L		69284-0T010-A0	\$8.63

15 Hinge, Upper Door	R	#.3	68710-02020	\$43.04
	L	#.3	68720-02020	\$43.04

16 Hinge, Lower Door	R	#.3	68730-AC010	\$48.27
	L	#.3	68740-AC010	\$48.27

#w/Door Removed

17 Check, Door	R	#.2	68610-0T010	\$80.79
	L	#.2	68620-0T010	\$80.79

#w/Speaker Removed

18 Cushion, Door	R		90084-54012	\$1.12
	L		90084-54012	\$1.12

2010 Toyota Venza (none) Wagon

19	Weatherstrip Assy, Door Opening (On Door)	R	.4	67861-0T010	\$61.39
		L	.4	67862-0T010	\$61.39
20	Clip, Weatherstrip (b)	R		90467-A0027	\$1.06
		L		90467-A0027	\$1.06
21	Retainer, Weatherstrip (17/Side) (b)	R		67867-12150	\$2.60
		L		67867-12150	\$2.60

(b) Included w/Door Opening Weatherstrip Assy

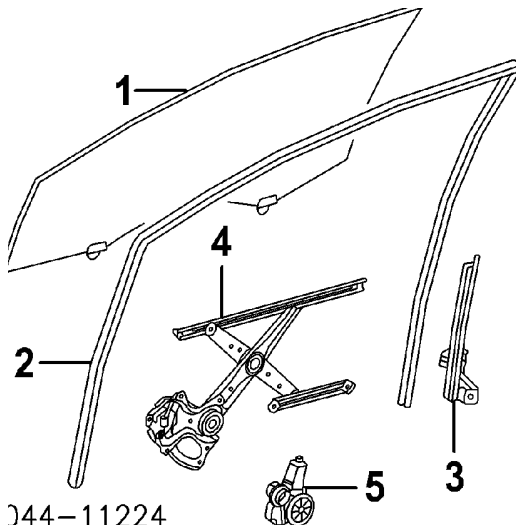
22	Protector Assy, Lower Door	R	.2	67855-0T010	\$41.64
		L	.2	67856-0T010	\$41.64
23	Retainer, Lower Protector (7/Side) (c)	R		67867-12150	\$2.60
		L		67867-12150	\$2.60

(c) Included w/Lower Door Protector Assy

	Harness, Door (d)	R		82151-0T060	\$216.40
		L		82152-0T060	\$288.65

(d) Order by Application

GLASS & PARTS



044-11224

1	Glass, Front Door				
	Toyota	R	.8	68101-0T010	\$269.36
		L	.8	68102-0T010	\$269.36
	NAGS	R	.8	FD24035GTN	
		L	.8	FD24036GTN	
2	Run, Glass	R	#.2	68141-0T010	\$74.16

2010 Toyota Venza (none) Wagon

	L	#.2	68151-0T010	\$74.16
3 Guide, Rear Glass	R	#.2	67403-0T010	\$51.41
	L	#.2	67404-0T010	\$51.41
#w/Door Glass Removed				
4 Regulator, Power Window	R	#1.4	69801-0T010	\$108.62
	L	#1.4	69802-0T010	\$108.62
#Includes R&R Door Glass				
5 Motor, Power Regulator	R	#.3	85710-0T010	\$472.22
	L	#.3	85720-0T010	\$472.22

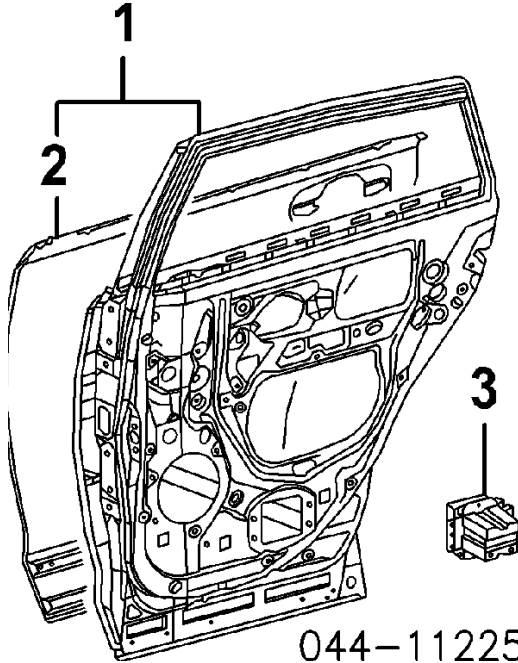
#w/Trim Panel Removed, Included in R&R Window Regulator

2010 Toyota Venza (none) Wagon

REAR DOOR

Procedures 16 and 28

SHEET METAL



Refinish Door Outside

R 2.4
L 2.4

Add for Jamb & Interior

R 1.0
L 1.0

Add for Jamb

R .5
L .5

R&I Door Assy

R 1.0
L 1.0

1 Shell Assy, Door (HSS)

R 5.5 67003-0T020 \$700.03

L 5.5 67004-0T020 \$700.03

2 Panel, Door Repair¶

R #7.4 67113-0T010 \$307.44

L #7.4 67114-0T010 \$307.44

¶Included w/Door Shell Assy

#Includes R&R Door Glass

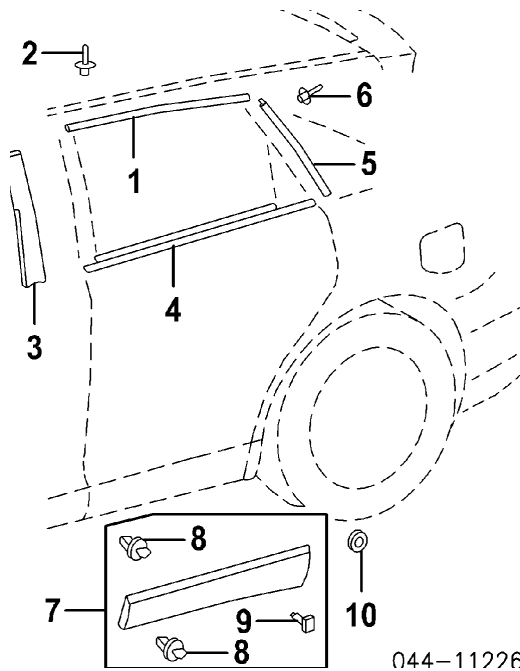
3 Cushion, Door

R 67057-0T010 \$61.22

L 67057-0T010 \$61.22

EXTERIOR TRIM

2010 Toyota Venza (none) Wagon



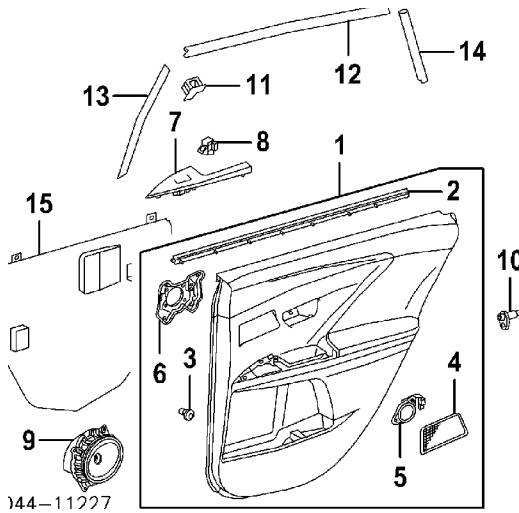
044-11226

Refinish Lower Door Moulding	R	.5		
	L	.5		
R&I Upper Frame Moulding	R	.4		
	L	.4		
R&I Front Door Frame Moulding	R	.2		
	L	.2		
R&I Rear Door Frame Moulding	R	.3		
	L	.3		
R&I Outer Belt Moulding	R	.2		
	L	.2		
R&I Lower Door Moulding	R	.3		
	L	.3		
1 Moulding, Upper Frame	R	.4	75763-0T010	\$46.87
	L	.4	75764-0T010	\$46.87
2 Rivet, Moulding (5/Side)	R		90269-A0006	\$0.43
	L		90269-A0006	\$0.43
3 Mldg, Front Door Frame	R	.2	75761-0T010	\$28.75
	L	.2	75762-0T010	\$28.75
4 Mldg, Outer Belt	R	.2	75721-0T010	\$83.97
	L	.2	75722-0T010	\$83.97
5 Mldg, Rear Door Frame	R	.3	75765-0T010	\$27.21
	L	.3	75766-0T010	\$27.21
6 Rivet, Moulding (2/Side)	R		90269-A0006	\$0.43

2010 Toyota Venza (none) Wagon

	L	90269-A0006	\$0.43
7 Moulding Assy, Lower Door (P)	R	.3 75075-0T900	\$119.63
	L	.3 75076-0T900	\$119.63
(P) Paint to Match			
8 Clip, Lower Moulding (9/Side) (a)	R	75395-0T010	\$5.49
	L	75395-0T010	\$5.49
9 Retainer, Lower Mldg (a)	R	75392-0T010	\$1.51
	L	75392-0T010	\$1.51
(a) Included w/Lower Door Moulding Assy			
10 Nut, Mldg	R	90080-17189	\$1.67
	L	90080-17189	\$1.67

INTERIOR TRIM



R&I Trim Panel Assy

R	.4		
L	.4		

NOTE: All Parts in this section are included in R&R Trim Panel Assy unless noted otherwise.

1 Panel Assy, Door Trim

Cloth

6 Speaker System

Gray

R	.6	67630-0T010-C1	\$465.25
L	.6	67640-0T010-C1	\$465.25

Ivory

R	.6	67630-0T010-C0	\$465.25
L	.6	67640-0T010-C0	\$465.25

13 Speaker System

Gray

R	.6	67630-0T020-C1	\$559.70
L	.6	67640-0T020-C1	\$559.70

2010 Toyota Venza (none) Wagon

Ivory	R	.6	67630-0T020-C0	\$559.70
	L	.6	67640-0T020-C0	\$559.70
Leather				
6 Speaker System				
Gray	R	.6	67630-0T040-C1	\$482.74
	L	.6	67640-0T040-C1	\$482.74
Ivory	R	.6	67630-0T040-C0	\$482.74
	L	.6	67640-0T040-C0	\$482.74
13 Speaker System				
Gray	R	.6	67630-0T030-C1	\$580.68
	L	.6	67640-0T030-C1	\$580.68
Ivory	R	.6	67630-0T030-C0	\$580.68
	L	.6	67640-0T030-C0	\$580.68
2 Mldg, Inner Belt¶	R	#.2	68173-0T010	\$18.07
	L	#.2	68174-0T010	\$18.07
#w/Trim Panel Removed				
3 Clip, Trim Panel (8/Side)¶	R		90467-A0005	\$1.14
	L		90467-A0005	\$1.14
4 Grille, Speaker¶				
Gray	R		67653-0T010-B0	\$22.75
	L		67654-0T010-B0	\$22.75
Ivory	R		67653-0T010-A0	\$22.75
	L		67654-0T010-A0	\$22.75
5 Speaker, Upper¶				
13 Speaker System	R	.2	86160-0T020	\$114.29
	L	.2	86160-0T020	\$114.29
6 Bracket, Speaker Mtg				
w/Leather Pkg	R		86161-0T020	\$13.23
	L		86161-0T020	\$13.23
w/o Leather Pkg	R		86161-0T010	\$13.23
	L		86161-0T010	\$13.23
¶Included w/Door Trim Panel Assy				
7 Panel, Armrest Base				
w/Leather Pkg	R	#.2	74271-0T020-E0	\$30.75
	L	#.2	74272-0T020-E0	\$30.75
w/o Leather Pkg	R	#.2	74271-0T010-E0	\$30.75
	L	#.2	74272-0T010-E0	\$30.75
8 Switch, Power Window	R	#.2	84810-0T010	\$211.29
	L	#.2	84810-0T010	\$211.29
#R&R One Side Complete				
9 Speaker, Door				
6 Speaker System	R	#.2	86160-AC290	\$28.58
	L	#.2	86160-AC290	\$28.58
13 Speaker System	R	#.2	86160-02770	\$139.54

2010 Toyota Venza (none) Wagon

L #.2 86160-02770 \$139.54

#w/Trim Panel Removed, Not Included in R&R Trim Panel

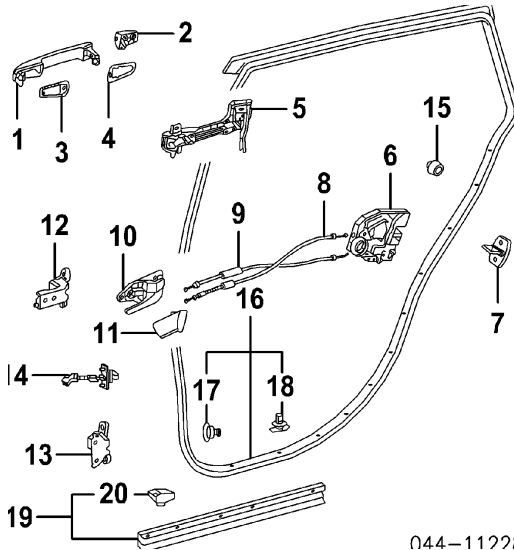
10 Switch, Courtesy Lamp	R		84231-08030	\$18.38
	L		84231-08030	\$18.38
11 Garnish, Upper Door	R	#	67673-06020	\$2.60
	L	#	67674-06020	\$2.60
12 Tape, Upper Black-Out	R	#.2	75987-0T010	\$30.95
	L	#.2	75988-0T010	\$30.95
13 Tape, Front Black-Out	R	#.2	75977-0T010	\$22.15
	L	#.2	75978-0T010	\$22.15
14 Tape, Rear Black-Out	R	#.2	75923-0T010	\$11.09
	L	#.2	75924-0T010	\$11.09

#Not Included in R&R Trim Panel

15 Cover, Service Hole	R	#	67841-0T011	\$15.15
	L	#	67842-0T011	\$15.15

#w/Trim Panel Removed, Not Included in R&R Trim Panel

HARDWARE



Refinish Outer Door Handle	R	.5		
	L	.5		
Refinish Outer Handle Cover	R	.2		
	L	.2		
R&I Outer Door Handle	R	#.7		
	L	#.7		

2010 Toyota Venza (none) Wagon

#Includes R&I Trim Panel

1 Handle, Outer Door

w/Push Button Start

Black, (Code 202)	R	#.3	69210-0T030-C0	\$104.60
	L	#.3	69210-0T030-C0	\$104.60
Blue, (Code 8U6)	R	#.3	69210-0T030-J0	\$104.60
	L	#.3	69210-0T030-J0	\$104.60
Brown, (Code 4U2)	R	#.3	69210-0T030-E0	\$104.60
	L	#.3	69210-0T030-E0	\$104.60
Dark Brown, (Code 4U3)	R	#.3	69210-0T030-E1	\$104.60
	L	#.3	69210-0T030-E1	\$104.60
Gray, (Code 1G3)	R	#.3	69210-0T030-B1	\$104.60
	L	#.3	69210-0T030-B1	\$104.60
Red, (Code 3R3)	R	#.3	69210-0T030-D0	\$104.60
	L	#.3	69210-0T030-D0	\$104.60
Silver, (Code 1F7)	R	#.3	69210-0T030-B0	\$104.60
	L	#.3	69210-0T030-B0	\$104.60
Turquoise, (Code 776)	R	#.3	69210-0T030-H0	\$104.60
	L	#.3	69210-0T030-H0	\$104.60
White Pearl, (Code 070)	R	#.3	69210-0T030-A0	\$104.60
	L	#.3	69210-0T030-A0	\$104.60

w/o Push Button Start

Black, (Code 202)	R	#.3	69210-0T010-C0	\$104.60
	L	#.3	69210-0T010-C0	\$104.60
Blue, (Code 8U6)	R	#.3	69210-0T010-J0	\$104.60
	L	#.3	69210-0T010-J0	\$104.60
Brown, (Code 4U2)	R	#.3	69210-0T010-E0	\$104.60
	L	#.3	69210-0T010-E0	\$104.60
Dark Brown, (Code 4U3)	R	#.3	69210-0T010-E1	\$104.60
	L	#.3	69210-0T010-E1	\$104.60
Gray, (Code 1G3)	R	#.3	69210-0T010-B1	\$104.60
	L	#.3	69210-0T010-B1	\$104.60
Red, (Code 3R3)	R	#.3	69210-0T010-D0	\$104.60
	L	#.3	69210-0T010-D0	\$104.60
Silver, (Code 1F7)	R	#.3	69210-0T010-B0	\$104.60
	L	#.3	69210-0T010-B0	\$104.60
Turquoise, (Code 776)	R	#.3	69210-0T010-H0	\$104.60
	L	#.3	69210-0T010-H0	\$104.60
White Pearl, (Code 070)	R	#.3	69210-0T010-A0	\$104.60
	L	#.3	69210-0T010-A0	\$104.60

2 Cover, Outer Handle

w/Push Button Start

Black, (Code 202)	R	#.3	69250-0T050-C0	\$25.44
	L	#.3	69250-0T050-C0	\$25.44
Blue, (Code 8U6)	R	#.3	69250-0T050-J0	\$25.44
	L	#.3	69250-0T050-J0	\$25.44

2010 Toyota Venza (none) Wagon

Brown, (Code 4U2)	R	#.3	69250-0T050-E0	\$25.44
	L	#.3	69250-0T050-E0	\$25.44
Dark Brown, (Code 4U3)	R	#.3	69250-0T050-E1	\$25.44
	L	#.3	69250-0T050-E1	\$25.44
Gray, (Code 1G3)	R	#.3	69250-0T050-B1	\$25.44
	L	#.3	69250-0T050-B1	\$25.44
Red, (Code 3R3)	R	#.3	69250-0T050-D0	\$25.44
	L	#.3	69250-0T050-D0	\$25.44
Silver, (Code 1F7)	R	#.3	69250-0T050-B0	\$25.44
	L	#.3	69250-0T050-B0	\$25.44
Turquoise, (Code 776)	R	#.3	69250-0T050-H0	\$25.44
	L	#.3	69250-0T050-H0	\$25.44
White Pearl, (Code 070)	R	#.3	69250-0T050-A0	\$25.44
	L	#.3	69250-0T050-A0	\$25.44
w/o Push Button Start				
Black, (Code 202)	R	#.3	69250-0T020-C0	\$16.98
	L	#.3	69250-0T020-C0	\$16.98
Blue, (Code 8U6)	R	#.3	69250-0T020-J0	\$16.98
	L	#.3	69250-0T020-J0	\$16.98
Brown, (Code 4U2)	R	#.3	69250-0T020-E0	\$16.98
	L	#.3	69250-0T020-E0	\$16.98
Dark Brown, (Code 4U3)	R	#.3	69250-0T020-E1	\$16.98
	L	#.3	69250-0T020-E1	\$16.98
Gray, (Code 1G3)	R	#.3	69250-0T020-B1	\$16.98
	L	#.3	69250-0T020-B1	\$16.98
Red, (Code 3R3)	R	#.3	69250-0T020-D0	\$16.98
	L	#.3	69250-0T020-D0	\$16.98
Silver, (Code 1F7)	R	#.3	69250-0T020-B0	\$16.98
	L	#.3	69250-0T020-B0	\$16.98
Turquoise, (Code 776)	R	#.3	69250-0T020-H0	\$16.98
	L	#.3	69250-0T020-H0	\$16.98
White Pearl, (Code 070)	R	#.3	69250-0T020-A0	\$16.98
	L	#.3	69250-0T020-A0	\$16.98
3 Pad, Front Outside Handle	R	#.3	69241-0T010	\$0.89
	L	#.3	69241-0T010	\$0.89
4 Pad, Rear Outside Handle	R	#.3	69242-0T010	\$0.89
	L	#.3	69242-0T010	\$0.89
#R&R One Side Complete, w/Trim Panel Removed				
5 Frame, Outside Handle	R	#.5	69203-0T010	\$74.51
	L	#.5	69204-0T010	\$74.51
#w/Trim Panel Removed, Includes R&L/R&R Outside Handle				
6 Latch, Door	R	#.3	69050-06100	\$297.54

2010 Toyota Venza (none) Wagon

	L	#.3	69060-06100	\$297.54
#w/Door Glass Removed				
7 Striker, Rear Door	R	.2	69410-AA030	\$21.61
	L	.2	69410-AA030	\$21.61
8 Cable, Lock Control	R	#.2	69730-0T010	\$21.92
	L	#.2	69730-0T010	\$21.92
9 Cable, Inside Locking	R	#.2	69770-0T010	\$21.92
	L	#.2	69770-0T010	\$21.92
10 Handle, Inside				
Gray	R	#.2	69205-0T010-B0	\$37.78
	L	#.2	69206-0T010-B0	\$37.78
Ivory	R	#.2	69205-0T010-A0	\$37.78
	L	#.2	69206-0T010-A0	\$37.78
#w/Trim Panel Removed				
11 Plug, Inside Bezel				
Gray	R		69283-0T010-B0	\$8.63
	L		69284-0T010-B0	\$8.63
Ivory	R		69283-0T010-A0	\$8.63
	L		69284-0T010-A0	\$8.63
12 Hinge, Upper Door	R	#.3	68750-04010	\$43.04
	L	#.3	68760-04010	\$43.04
13 Hinge, Lower Door	R	#.3	68770-04010	\$48.27
	L	#.3	68780-04010	\$48.27
#w/Door Removed				
14 Check, Door	R	#.2	68630-0T010	\$80.79
	L	#.2	68640-0T010	\$80.79
#w/Speaker Removed				
15 Cushion, Door	R		90084-54012	\$1.12
	L		90084-54012	\$1.12
16 Weatherstrip Assy, Door Opening (On Door)	R	.4	67871-0T010	\$55.04
	L	.4	67872-0T010	\$55.04
17 Clip, Weatherstrip¶	R		90467-A0027	\$1.06
	L		90467-A0027	\$1.06
18 Retainer, Weatherstrip (18/Side)¶	R		67867-12150	\$2.60
	L		67867-12150	\$2.60
¶Included w/Door Opening Weatherstrip Assy				
19 Protector Assy, Lower Door	R	.2	67857-0T010	\$34.41
	L	.2	67857-0T010	\$34.41
20 Retainer, Lower Protector (6/Side) (a)	R		67867-12150	\$2.60

2010 Toyota Venza (none) Wagon

L 67867-12150 \$2.60

(a) Included w/Lower Door Protector Assy

Harness, Door

6 Speaker System

R 82153-0T010 \$138.70

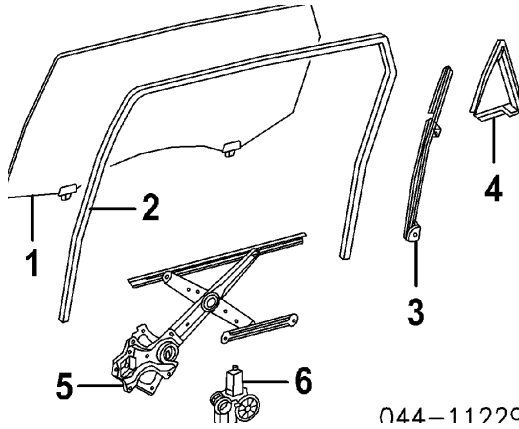
L 82154-0T010 \$138.70

13 Speaker System

R 82153-0T020 \$165.79

L 82154-0T020 \$165.79

GLASS & PARTS



1 Glass, Rear Door

Toyota

Green

R .8 68103-0T010

L .8 68104-0T010 \$254.52

Privacy

R .8 68103-0T020 \$236.23

L .8 68104-0T020 \$236.23

NAGS

Green

R .8 N.A.

L .8 N.A.

Privacy

R .8 FD24037YPN

L .8 FD24038YPN

2 Run, Glass

R #.2 68142-0T010 \$66.82

L #.2 68152-0T010 \$66.82

3 Bar, Division

R #.2 67407-0T010 \$37.07

L #.2 67408-0T010 \$37.07

#w/Door Glass Removed

4 Seal, Rear Corner

R .2 67487-0T010 \$47.93

L .2 67488-0T010 \$47.93

5 Regulator, Power Window

R #1.4 69801-0T010 \$108.62

L #1.4 69802-0T010 \$108.62

#Includes R&R Door Glass

6 Motor, Power Regulator

R #.3 85710-0T020 \$472.22

L #.3 85720-0T020 \$472.22

2010 Toyota Venza (none) Wagon

#w/Trim Panel Removed, Included in R&R Window Regulator

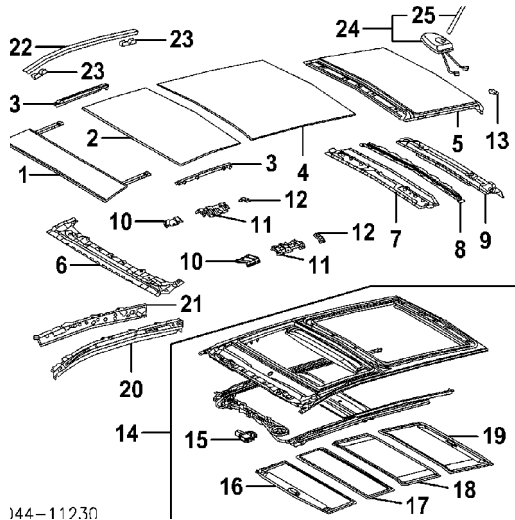
2010 Toyota Venza (none) Wagon

ROOF

Procedures 17 and 28

SHEET METAL/EXTERIOR TRIM

W/PANORAMIC ROOF



144-112.30

Refinish Roof Outside

R&I Drip Moulding

R&I Antenna

#Includes Loosen Headliner

2.4

R .3

L .3

#.6

NOTE: Manufacturer advises foam fillers have been utilized within panels in this section. Refer to vehicle body/service repair manuals for recommended replacement and safety precautions.

1 Panel, Glass Front	#.5	63201-0T010	\$546.11
#Included in R&R Sliding Roof Housing			
2 Glass, Sliding Roof	#.8	63201-0T020	\$906.91
#Includes R&R Glass Garnishes, Included in R&R Sliding Roof Housing			
3 Garnish, Sliding Glass	R #.2	63217-33060	\$52.82
	L #.2	63218-33050	\$52.82
#Included in R&R Sliding Roof Housing			
4 Glass, Fixed	#1.0	63201-0T030	\$1,383.54
#w/Headliner Removed, Included in R&R Sliding Roof Housing			
5 Panel, Rear Roof	#17.5	63113-0T010	\$884.09

2010 Toyota Venza (none) Wagon

#Includes R&R Fixed Glass, Does Not Include R&I/R&R Quarter Glass

6 Panel, Front Header		1.5	63102-0T901	\$192.19
7 Reinf, Front Roof		1.5	63122-0T010	\$92.00
8 Reinf, Rear Roof Panel		.5	63148-0T010	\$34.47
9 Panel, Rear Header		1.5	63105-0T010	\$142.01
Bracket, Sliding Roof Mtg				
10 Front	R #		63241-0T010	\$29.49
	L #		63242-0T010	\$29.49
11 Center	R #		63243-0T010	\$52.13
	L #		63244-0T010	\$52.13
12 Rear	R #		63245-0T010	\$11.83
	L #		63245-0T010	\$11.83

#Included in R&R Sliding Roof Housing

13 Plate, Reinforcement	R		63161-01010	\$3.32
	L		63162-01010	\$3.03
14 Housing Assy, Sliding Roof				
Gray		#3.6	63203-0T010-B0	\$1,794.54
Ivory		#3.6	63203-0T010-A0	\$1,794.54
#w/Headliner Removed				
15 Motor, Sliding Roof††		.3	63260-0T010	\$523.32
Trim, Sunshade††				
16 No. 1				
Gray		.2	63306-0T010-B0	\$256.76
Ivory		.2	63306-0T010-A0	\$256.76
17 No. 2				
Gray		.2	63306-0T020-B0	\$137.84
Ivory		.2	63306-0T020-A0	\$137.84
18 No. 3				
Gray		.2	63306-0T030-B0	\$261.30
Ivory		.2	63306-0T030-A0	\$261.30
19 No. 4				
Gray		.2	63306-0T040-B0	\$313.43
Ivory		.2	63306-0T040-A0	\$313.43

††Included w/Sliding Roof Housing Assy

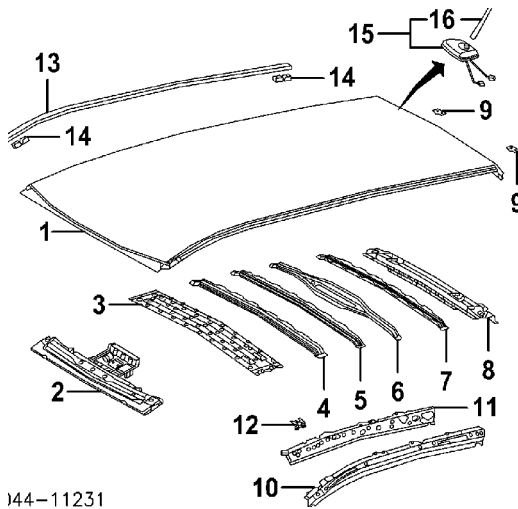
20 Reinf, Roof Rail	R #2.5		61201-0T010	\$321.83
	L #2.5		61202-0T010	\$321.83
21 Rail, Inner Roof	R #2.5		61203-0T010	\$205.34
	L #2.5		61204-0T010	\$205.34
#R&R One Side Complete				
22 Moulding, Drip Finish	R	.3	75555-0T021	\$31.69
	L	.3	75556-0T021	\$31.69
23 Clip, Drip Moulding (2/Side)	R		75561-02020	\$1.20

2010 Toyota Venza (none) Wagon

	L	75561-02020	\$1.20
24 Antenna Assy			
w/Satellite Radio	#.6	86960-0T010	\$140.30
w/o Satellite Radio	#.6	86300-0T020	\$261.33
#Includes Loosen Headliner			
25 Mast, Antenna (a)	.1	86309-02090	\$44.36
(a) Included w/Antenna Assy			

SHEET METAL/EXTERIOR TRIM

W/O PANORAMIC ROOF



144-11231

Refinish Roof Outside

R&I Drip Moulding

	3.4
R	.3
L	.3

R&I Antenna

#.6

#Includes Loosen Headliner

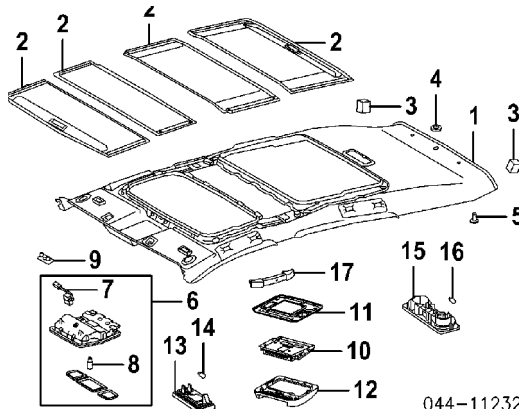
NOTE: Manufacturer advises foam fillers have been utilized within panels in this section. Refer to vehicle body/service repair manuals for recommended replacement and safety precautions.

1 Panel, Roof	#19.5	63111-0T010	\$884.09
#Does Not Include R&I/R&R Quarter Glass			
2 Panel, Front Header	1.5	63102-0T900	\$135.74
3 Reinf, Roof Panel Front	1.5	63103-0T010	\$263.42
Reinf, Center Roof			
4 No. 1	.5	63143-0T010	\$55.27
5 No. 2	.5	63128-0T010	\$34.98
6 No. 3	.5	63144-0T010	\$40.58
7 No. 4	.5	63148-0T010	\$34.47

2010 Toyota Venza (none) Wagon

8 Panel, Rear Header		1.5	63105-0T010	\$142.01
9 Plate, Reinforcement	R		63161-01010	\$3.32
	L		63162-01010	\$3.03
10 Reinf, Roof Rail	R	2.5	61201-0T010	\$321.83
	L	2.5	61202-0T010	\$321.83
11 Rail, Inner Roof	R	2.0	61203-0T010	\$205.34
	L	2.0	61204-0T010	\$205.34
12 Reinf, Center Pillar	R		61385-0T010	\$13.49
	L		61385-0T010	\$13.49
13 Moulding, Drip Finish	R	.3	75555-0T011	\$118.23
	L	.3	75556-0T011	\$118.23
14 Clip, Drip Moulding (2/Side)	R		75561-02020	\$1.20
	L		75561-02020	\$1.20
15 Antenna Assy				
w/Satellite Radio		#.6	86960-0T010	\$140.30
w/o Satellite Radio		#.6	86300-0T020	\$261.33
#Includes Loosen Headliner				
16 Mast, Antenna¶		.1	86309-02090	\$44.36

INTERIOR TRIM
W/PANORAMIC ROOF



R&I Headliner

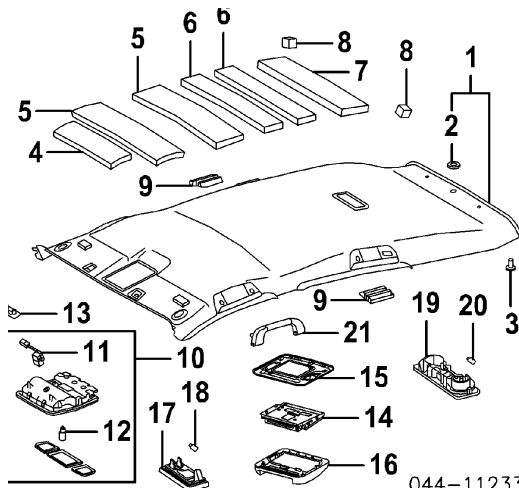
1 Headliner		5.2		
Gray		5.6	63310-0T020-B0	\$1,392.26
Ivory		5.6	63310-0T020-A0	\$1,392.26
2 Trim, Sunshade-See Sheet Metal/Exterior Trim Section				
3 Pad, Silencer	R		63344-0T050	\$0.94
	L		63344-0T050	\$0.94
4 Pad, Rear Silencer			63355-0T010	\$0.97
5 Clip, Headliner (3)				
Gray			90467-05164-B0	\$0.77

2010 Toyota Venza (none) Wagon

Ivory		90467-05164-A0	\$0.77
6 Box Assy, Console w/Bluetooth			
Gray		.3 63650-0T050-B0	\$689.14
Ivory		.3 63650-0T050-A0	\$689.14
w/o Bluetooth			
Gray		.3 63650-0T040-B0	\$587.68
Ivory		.3 63650-0T040-A0	\$587.68
7 Microphone, Telephone		86730-73010	\$109.83
8 Bulb, Lamp (3)		90084-81002	\$3.17
Included w/Console Box Assy			
9 Retainer, Console		63412-33010	\$1.69
10 Display, Video			
Gray		.3 86680-0T010-B0	\$4,084.60
Ivory		.3 86680-0T010-A0	\$4,084.60
11 Bracket, Video Display		86117-0T020	\$75.56
12 Bezel, Display			
Gray		86295-0T010-B0	\$94.46
Ivory		86295-0T010-A0	\$94.46
13 Lamp, Vanity			
Gray	R	.2 81340-30100-B0	\$33.76
	L	.2 81340-30100-B0	\$33.76
Ivory	R	.2 81340-30100-A1	\$29.39
	L	.2 81340-30100-A1	\$29.39
14 Bulb, Lamp	R	90981-11062	\$3.17
	L	90981-11062	\$3.17
15 Lamp, Courtesy			
Gray		.2 81360-30050-B1	\$70.88
Ivory		.2 81360-30050-A2	\$70.88
16 Bulb, Courtesy Lamp (2)		90981-11062	\$3.17
17 Grip, Assist			
Front			
Gray	R	74610-30270-B0	\$24.58
	L	74610-30270-B0	\$24.58
Ivory	R	74610-30270-A4	\$24.55
	L	74610-30270-A4	\$24.55
Rear			
Gray	R	74610-30270-B0	\$24.58
	L	74610-30270-B0	\$24.58
Ivory	R	74610-30270-A4	\$24.55
	L	74610-30270-A4	\$24.55

INTERIOR TRIM
W/O PANORAMIC ROOF

2010 Toyota Venza (none) Wagon



R&I Headliner Assy

		5.2	
1	Headliner Assy¶		
	Gray	5.6	63310-0T030-B0 \$1,392.26
	Ivory	5.6	63310-0T030-A0 \$1,392.26
	¶Order by Application		
2	Pad, Rear Silencer (a)		63355-0T010 \$0.97
	(a) Included w/Headliner Assy		
3	Clip, Headliner (3)		
	Gray		90467-05164-B0 \$0.77
	Ivory		90467-05164-A0 \$0.77
	Pad, Silencer		
4	Front		63344-0T020 \$8.69
	Center		
5	Large		
	w/Power Outlet		63344-0T010 \$12.43
	w/o Power Outlet, (2)		63344-0T010 \$12.43
6	Small, (2)		63342-0T020 \$7.97
7	Rear		63344-0T010 \$12.43
8	Pad, Rear Silencer	R	63344-0T040 \$0.94
		L	63344-0T040 \$0.94
9	Spacer, Side Rail	R	66413-0T010 \$23.24
		L	66423-0T010 \$23.24
10	Box Assy, Console		
	w/CD Changer		
	w/Bluetooth		
	Gray	.3	63650-0T030-B0 \$671.65
	Ivory	.3	63650-0T030-A0 \$671.65
	w/o Bluetooth		
	Gray	.3	63650-0T020-B0 \$570.19
	Ivory	.3	63650-0T020-A0 \$570.19

2010 Toyota Venza (none) Wagon

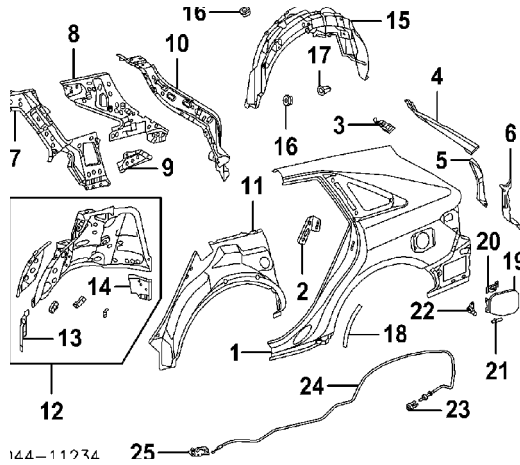
w/o CD Changer			
Gray		.3 63650-0T010-B0	\$185.05
Ivory		.3 63650-0T010-A0	\$185.05
11 Microphone, Telephone		86730-73010	\$109.83
12 Bulb, Lamp (3)		90084-81002	\$3.17
¶Included w/Console Box Assy			
13 Retainer, Console		63412-33010	\$1.69
14 Display, Video			
Gray		.3 86680-0T010-B0	\$4,084.60
Ivory		.3 86680-0T010-A0	\$4,084.60
15 Bracket, Video Display		86117-0T020	\$75.56
16 Bezel, Display			
Gray		86295-0T010-B0	\$94.46
Ivory		86295-0T010-A0	\$94.46
17 Lamp, Vanity			
Gray	R	.2 81340-30100-B0	\$33.76
	L	.2 81340-30100-B0	\$33.76
Ivory	R	.2 81340-30100-A1	\$29.39
	L	.2 81340-30100-A1	\$29.39
18 Bulb, Lamp			
	R	90981-11062	\$3.17
	L	90981-11062	\$3.17
19 Lamp, Courtesy			
Gray		.2 81360-30050-B1	\$70.88
Ivory		.2 81360-30050-A2	\$70.88
20 Bulb, Courtesy Lamp (2)		90981-11062	\$3.17
21 Grip, Assist			
Front			
Gray	R	74610-0T010-B0	\$24.55
	L	74610-0T010-B0	\$24.55
Ivory	R	74610-0T010-A0	\$24.55
	L	74610-0T010-A0	\$24.55
Rear			
Gray	R	74610-0T020-B0	\$24.55
	L	74610-0T030-B0	\$24.55
Ivory	R	74610-0T020-A0	\$24.55
	L	74610-0T030-A0	\$24.55

2010 Toyota Venza (none) Wagon

QUARTER PANEL

Procedures 20 and 28

SHEET METAL



Refinish Quarter Panel Outside	R	2.6
	L	2.6
Add to Edge Panel	R	.5
	L	.5
Add for Pillar	R	.5
	L	.5
Add for Inside	R	.8
	L	.8
Refinish Fuel Door	L	#.5
#Included in Refinish Left Quarter Panel		
Add for Inside	L	.2
R&R Both Quarter Panels		35.0
R&R Roof & Both Quarters		
w/Panoramic Roof		47.5
w/o Panoramic Roof		49.5
R&R Rear Body Panel & Both Quarter Panels		40.5
R&R Roof, Both Quarters & Rear Body Panel		
w/Panoramic Roof		53.0
w/o Panoramic Roof		55.0
Add to R&R Quarter Panel		
To Transfer Quarter Glass	R	.2
	L	.2

2010 Toyota Venza (none) Wagon

Add to R&R Quarter Panel w/Side Curtain Air Bag R #1.0
L #1.0

#w/Headliner Removed

Add to R&R Quarter Panel w/Side Air Bag Sensor

Front R #.3
L #.3

#w/Center Pillar Trim Removed

Add to R&R Quarter Panel Rear R #.4
L #.4

#w/Necessary Trim Removed

NOTE: Refer to Manufacturer's Service Manual for sectioning procedures.

NOTE: Manufacturer advises foam fillers have been utilized within panels in this section. Refer to vehicle body/service repair manuals for recommended replacement and safety precautions.

1 Panel, Quarter	R	#18.0	61601-0T010	\$745.14
	L	#18.5	61602-0T010	\$745.14

#w/Roof Removed Deduct 2.5, Deduction Includes Common Surfaces & Included Operations

2 Reinf, Lock Pillar	R	.5	61503-0T010	\$26.75
	L	.5	61504-0T010	\$26.75

Striker, Rear Door-See Rear Door Section

3 Retainer, Liftgate Supt	R		68981-0T010	
	L		68982-0T010	
4 Ext, Quarter Upper Rear	R	2.0	61627-0T900	\$102.86
	L	2.0	61628-0T900	\$102.86
5 Ext, Quarter Panel	R	1.5	61625-0T010	
	L	1.5	61626-0T010	
6 Trough, Back Door Opng	R	2.0	61621-0T010	
	L	2.0	61622-0T010	
7 Panel, Roof Side Inr	R	3.5	61701-0T010	\$310.10
	L	3.5	61702-0T010	\$310.10
8 Panel, Quarter Inr UpR	R	3.5	61703-0T010	\$126.29
	L	3.5	61704-0T010	\$126.29
9 Panel, Quarter Inr Lwr	R	.5	61613-0T010	\$24.35
	L	.5	61614-0T010	\$24.35
10 Panel, Roof Side	R	3.5	61707-0T010	\$374.31

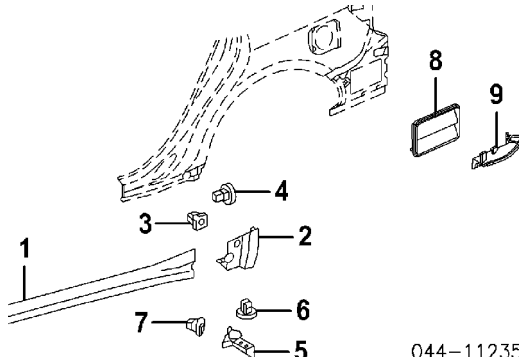
2010 Toyota Venza (none) Wagon

11 Panel, Outer Wheelhouse	L	3.5	61708-0T010	\$374.31
	R	4.5	61631-0T010	\$199.40
12 Panel Assy, Inner Wheelhouse	L	4.5	61632-0T010	\$199.40
	R	4.5	61633-0T900	\$430.27
13 Gusset, Inner Wheelhouse¶	L	4.5	61634-0T900	\$430.27
	R	.5	61641-0T010	\$33.55
14 Ext, Inner Wheelhouse¶	L	.5	61642-0T010	\$33.55
	R	.5	61623-0T010	\$23.89
	L	.5	61624-0T010	\$23.89

¶Included w/Inner Wheelhouse Panel Assy

15 Liner, Wheelhouse	R	.4	65637-0T010	\$133.27
	L	.4	65638-0T010	\$133.27
16 Retainer, Liner (12/Side)	R		65613-07010	\$2.54
	L		65613-07010	\$2.54
17 Grommet, Liner (3/Side)	R		90189-06047	\$0.78
	L		90189-06047	\$0.78
18 Protector, Quarter Panel (Adhesive)	R	.2	58747-0T010	\$11.66
	L	.2	58748-0T010	\$11.66
19 Door, Fuel Filler	L	.3	77350-0T010	\$54.56
20 Spring, Fuel Door	L		77360-33030	\$3.26
21 Rivet, Fuel Door (2)	L		90269-A0005	\$1.72
22 Retainer, Fuel Door	L		61848-AC031	\$5.12
23 Retainer, Fuel Door Lock	L		77377-AA020	\$3.12
24 Cable, Fuel Door Release	L		77035-0T010	\$27.98
25 Lever, Fuel Door Release	L		77306-02021	\$23.21

EXTERIOR TRIM



Refinish Rocker End Cover

R	.5
L	.5

R&I Rocker End Cover

R	#.2
L	#.2

2010 Toyota Venza (none) Wagon

#Included in R&I/R&R Rocker Cover

1 Cover Assy, Rocker-See Rocker/Pillars/Floor Section

2 Cover, Rocker End

Black, (Code 202)	R	#.2	75863-0T010-C0	\$47.21
	L	#.2	75864-0T010-C0	\$47.21
Blue, (Code 8U6)	R	#.2	75863-0T010-J0	\$47.21
	L	#.2	75864-0T010-J0	\$47.21
Brown, (Code 4U2)	R	#.2	75863-0T010-E0	\$47.21
	L	#.2	75864-0T010-E0	\$47.21
Dark Brown, (Code 4U3)	R	#.2	75863-0T010-E1	\$47.21
	L	#.2	75864-0T010-E1	\$47.21
Gray, (Code 1G3)	R	#.2	75863-0T010-B1	\$47.21
	L	#.2	75864-0T010-B1	\$47.21
Red, (Code 3R3)	R	#.2	75863-0T010-D0	\$47.21
	L	#.2	75864-0T010-D0	\$47.21
Silver, (Code 1F7)	R	#.2	75863-0T010-B0	\$47.21
	L	#.2	75864-0T010-B0	\$47.21
Turquoise, (Code 776)	R	#.2	75863-0T010-H0	\$47.21
	L	#.2	75864-0T010-H0	\$47.21
White Pearl, (Code 070)	R	#.2	75863-0T010-A0	\$47.21
	L	#.2	75864-0T010-A0	\$47.21

#Included in R&I/R&R Rocker Cover

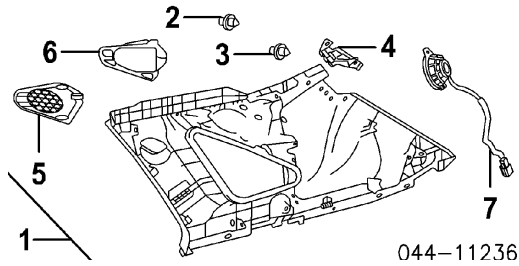
Grommet, Screw

3 Type 1	R		90189-04055	\$1.01
	L		90189-04055	\$1.01
4 Type 2	R		90189-06157	\$0.89
	L		90189-06157	\$0.89
5 Protector, Rocker Cover	R		75861-0T010	\$18.61
	L		75862-0T010	\$18.61
Grommet, Screw				
6 Type 1, (2/Side)	R		90189-06211	\$0.80
	L		90189-06211	\$0.80
7 Type 2	R		90189-06177	\$0.83
	L		90189-06177	\$0.83
8 Duct, Quarter Vent	L	#.2	62940-AA030	\$38.84
9 Plate, Quarter Vent	L	#.2	62964-0T010	\$66.10

#w/Rear Cover Removed

INTERIOR TRIM

2010 Toyota Venza (none) Wagon



1 Trim Assy, Upper Quarter
w/Power Liftgate¶

Gray

R #1.3 62470-0T020-B0 \$353.30

L #1.3 62480-0T020-B0 \$370.79

Ivory

R #1.3 62470-0T020-A0 \$353.30

L #1.3 62480-0T020-A0 \$370.79

w/o Power Liftgate

Gray

R #1.3 62470-0T010-B0 \$293.86

L #1.3 62480-0T010-B0 \$293.86

Ivory

R #1.3 62470-0T010-A0 \$293.86

L #1.3 62480-0T010-A0 \$293.86

¶Order by Application

#Includes R&R Lower Quarter Trim Panel, w/Seat Assy
Removed

Clip, Trim (a)

2 Type 1, (7/Side)

R 90467-A0006 \$1.06

L 90467-A0006 \$1.06

3 Type 2, (3/Side)

R 90467-10167 \$1.11

L 90467-10167 \$1.11

4 Cover, Pillar Trim (a)

w/Power Liftgate

L 62584-0T010 \$11.09

5 Grille, Speaker (a)

Gray

R 64393-0T010-B0 \$15.35

L 64394-0T010-B0 \$15.35

Ivory

R 64393-0T010-A0 \$15.35

L 64394-0T010-A0 \$15.35

6 Bracket, Speaker (a)

w/Easy Closer

R 86163-0T010 \$24.69

L 86163-0T020 \$24.69

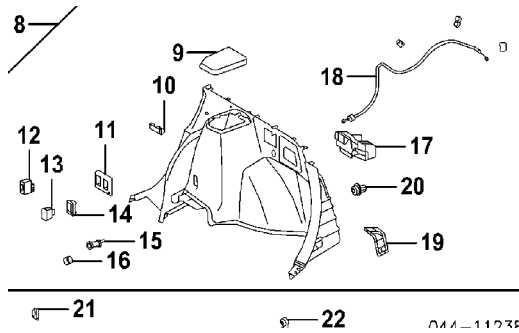
7 Speaker, Quarter (a)

R 86160-0T030 \$150.41

L 86160-0T030 \$150.41

(a) Included w/Upper Quarter Trim Assy

2010 Toyota Venza (none) Wagon



8 Panel Assy, Lower Quarter Trim

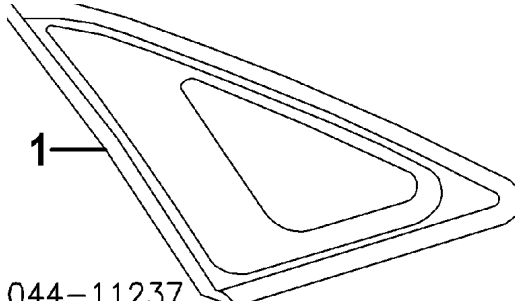
w/Power Outlet					
Gray	R	#1.1	64730-0T020-B0	\$341.07	
	L	#1.1	64740-0T010-B0	\$319.03	
Ivory	R	#1.1	64730-0T020-A0	\$341.07	
	L	#1.1	64740-0T010-A0	\$319.03	
w/o Power Outlet					
Gray	R	#1.0	64730-0T010-B0	\$319.03	
	L	#1.0	64740-0T010-B0	\$319.03	
Ivory	R	#1.0	64730-0T010-A0	\$319.03	
	L	#1.0	64740-0T010-A0	\$319.03	
#w/Rear Seat Assy Removed					
9 Cover, Trim Panel (b)					
Gray	R		64714-0T010-B0	\$36.38	
	L		64715-0T010-B0	\$36.38	
Ivory	R		64714-0T010-A0	\$36.38	
	L		64715-0T010-A0	\$36.38	
10 Hanger, Belt (b)					
Gray	R		73371-0R010-B1	\$6.34	
	L		73371-0R010-B1	\$6.34	
Ivory	R		73371-0R010-A0	\$6.34	
	L		73371-0R010-A0	\$6.34	
11 Cover, Side Trim (b)					
w/Power Outlet					
Gray	R		62627-0E010-B0	\$14.55	
Ivory	R		62627-0E010-A0	\$14.55	
12 Terminal, Video (b)	R		86191-50050	\$54.73	
13 Socket, Power Outlet (b)	R		85530-73010	\$36.04	
14 Cover, Power Socket (b)					
Gray	R		85535-41010-B2	\$8.46	
Ivory	R		85535-41010-A0	\$7.74	
15 Socket, Accessory (b)	R		85530-AE010	\$36.04	
16 Cover, Socket (b)					

2010 Toyota Venza (none) Wagon

Gray	R	85535-AE020-B1	\$8.75
Ivory	R	85535-AE020-A0	\$8.75
	L	81250-48010	\$36.69
Bulb (b) (c)	L	00234-13050	\$1.40
Lens, Cargo Lamp (b) (c)	L	81251-48010	\$12.41
(c) Included w/Cargo Lamp Assy			
17 Lever, Seat Lock (b)			
Gray	R	72057-13010-B1	\$58.07
	L	72058-13010-B1	\$58.07
Ivory	R	72057-13010-A0	\$58.07
	L	72058-13010-A0	\$58.07
18 Cable, Seat Lock (b)	R	72620-0T020	\$7.34
	L	72620-0T020	\$7.34
19 Holder, Cup (b)			
Gray	R	64745-0T010-B0	\$17.32
	L	64746-0T010-B0	\$17.32
Ivory	R	64745-0T010-A0	\$17.32
	L	64746-0T010-A0	\$17.32
20 Clip, Trim Panel (6/Side) (b)	R	90467-A0006	\$1.06
	L	90467-A0006	\$1.06
(b) Included w/Lower Quarter Trim Panel Assy			
21 Striker, Hold Belt	R	58460-33020	\$15.00
	L	58460-33020	\$15.00
22 Hook, Side			
Gray	R	64725-0T010-B0	\$16.38
	L	64725-0T010-B0	\$16.38
Ivory	R	64725-0T010-A0	\$16.38
	L	64725-0T010-A0	\$16.38

2010 Toyota Venza (none) Wagon

QUARTER GLASS



044-11237

R&I Quarter Glass

R #2.8

L #2.8

#Includes Clean Up Old Adhesive as Necessary

1 Glass, Quarter

Toyota

Green

R #2.6 62710-0T020

L #2.6 62720-0T020 \$80.81

Privacy

R #2.6 62710-0T010 \$78.84

L #2.6 62720-0T010 \$78.84

NAGS

R #2.6 FQ24039YPY

L #2.6 FQ24040YPY

#Includes Clean Up Old Adhesive as Necessary

Adhesive, Glass

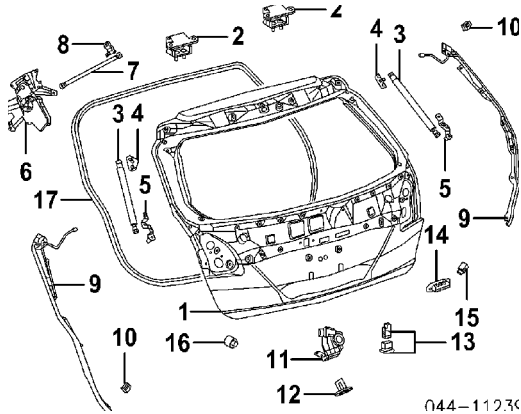
N.A.

2010 Toyota Venza (none) Wagon

LIFTGATE

Procedures 25 and 28

SHEET METAL



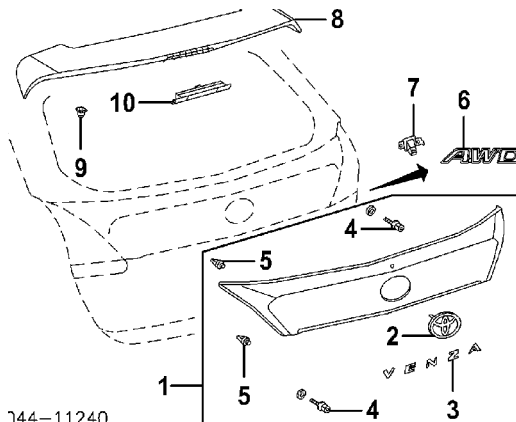
Refinish Liftgate Outside	2.6
Add for Inside	1.3
R&I Liftgate Assy	1.0
Add to R&R Liftgate	
To Transfer Liftgate Glass	.6

1 Shell, Liftgate				
w/Rear View Camera				
w/Power Liftgate	#6.0	67005-0T080		\$616.16
w/o Power Liftgate	#5.1	67005-0T070		\$616.16
w/o Rear View Camera				
w/Power Liftgate	#5.8	67005-0T060		\$616.16
w/o Power Liftgate	#4.9	67005-0T050		\$616.16
#Includes Transfer Wiper Components				
2 Hinge, Liftgate	R	#.2	68810-02060	\$31.21
	L	#.2	68810-02060	\$31.21
#w/Liftgate Removed				
3 Stay, Liftgate				
w/Power Liftgate	R	#.2	68950-0T010	\$154.27
	L	#.2	68960-0T010	\$154.27
w/o Power Liftgate	R	#.2	68950-0T020	\$154.27
	L	#.2	68960-0T020	\$154.27
#w/Liftgate Removed .1				
4 Bracket, Upper Support	R		68945-48030	\$11.09
	L		68945-48030	\$11.09
5 Bracket, Lower Support	R		68947-0T010	\$7.54
	L		68948-0T010	\$7.54
6 Motor, Liftgate		#.4	68910-0T010	\$601.69
7 Link, Liftgate		#.2	85475-0T010	\$60.53

2010 Toyota Venza (none) Wagon

#w/Trim Panel Removed				
8 Bracket, Upper Lift			68956-0T010	\$7.54
9 Sensor, Power Liftgate	R	#.3	84260-0T020	\$384.80
	L	#.3	84260-0T010	\$384.80
#w/Side Trim Removed				
10 Grommet, Screw (5/Side)	R		90189-06197	\$0.89
	L		90189-06197	\$0.89
11 Latch, Liftgate				
w/Easy Closer		#.3	69350-0T010	\$238.21
w/o Easy Closer		#.3	69350-0T030	\$405.77
12 Striker, Liftgate		.2	69410-08040	\$20.66
13 Switch, Power Liftgate		#.2	84930-0T020	\$65.76
14 Switch, Liftgate Release				
w/Push Button Start		#.2	84840-0T020	\$78.37
w/o Push Button Start		#.2	84840-0T010	\$56.67
15 Buzzer, Warning		#.1	89747-51010	\$80.45
#w/Lower Trim Assy Removed				
16 Cushion, Liftgate	R		90541-A0001	\$2.33
	L		90541-A0001	\$2.33
17 Weatherstrip, Liftgate (On Liftgate)		.5	67881-0T010	\$88.63

EXTERIOR TRIM



744-11240

Refinish Gamish Assy	1.2
Refinish Spoiler	1.5
R&I Gamish Assy	#1.4

#Includes R&/R&R Combination Lamp Assemblies, Wiper Motor

R&I Spoiler	.6
1 Gamish Assy, Liftgate	
w/Rear View Camera	

2010 Toyota Venza (none) Wagon

Black, (Code 202)	#1.4	76801-0T020-C0	\$482.74
Blue, (Code 8U6)	#1.4	76801-0T020-J0	\$482.74
Brown, (Code 4U2)	#1.4	76801-0T020-E0	\$482.74
Dark Brown, (Code 4U3)	#1.4	76801-0T020-E1	\$482.74
Gray, (Code 1G3)	#1.4	76801-0T020-B1	\$482.74
Red, (Code 3R3)	#1.4	76801-0T020-D0	\$482.74
Silver, (Code 1F7)	#1.4	76801-0T020-B0	\$482.74
Turquoise, (Code 776)	#1.4	76801-0T020-H0	\$482.74
White Pearl, (Code 070)	#1.4	76801-0T020-A0	\$482.74
w/o Rear View Camera			
Black, (Code 202)	#1.4	76801-0T010-C0	\$465.25
Blue, (Code 8U6)	#1.4	76801-0T010-J0	\$465.25
Brown, (Code 4U2)	#1.4	76801-0T010-E0	\$465.25
Dark Brown, (Code 4U3)	#1.4	76801-0T010-E1	\$465.25
Gray, (Code 1G3)	#1.4	76801-0T010-B1	\$465.25
Red, (Code 3R3)	#1.4	76801-0T010-D0	\$465.25
Silver, (Code 1F7)	#1.4	76801-0T010-B0	\$465.25
Turquoise, (Code 776)	#1.4	76801-0T010-H0	\$465.25
White Pearl, (Code 070)	#1.4	76801-0T010-A0	\$465.25

#Includes R&I/R&R Combination Lamp Assemblies, Wiper Motor

2 Emblem, Rear (Adhesive)¶	.2	75311-AA040	\$26.86
3 Nameplate (Adhesive)¶ "VENZA"	.2	75442-0T010	\$24.95
4 Bolt, Gamish (5)¶		90116-06172	\$0.80
5 Clip, Gamish (16)¶		90467-A0005	\$1.14

¶Included w/Liftgate Gamish Assy

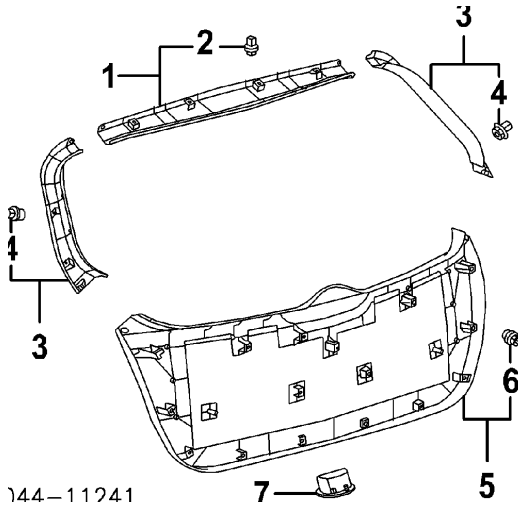
6 Nameplate (Adhesive) "AWD"	.2	75443-AE010	\$22.32
7 Camera, Rear View #w/Gamish Removed	#.3	86790-73010	\$769.59
8 Spoiler, Liftgate (P) (P) Paint to Match	#.8	76871-0T901	\$598.17

#Included in R&R Liftgate, Includes R&I/R&R High Mount Stop Lamp

9 Clip, Spoiler (3)		76817-26040	\$1.40
10 Lamp, Stop-See Rear Lamps Section			

INTERIOR TRIM

2010 Toyota Venza (none) Wagon



144-11241

1 Trim Assy, Upper

Gray

.2 64783-0T010-B0 \$70.31

Ivory

.2 64783-0T010-A0 \$70.31

2 Clip, Upper (4)¶

90467-A0006 \$1.06

¶Included w/Upper Trim Assy

3 Trim Assy, Upper Side

w/Power Liftgate

Gray

R #.1 64791-0T010-B0 \$48.61

L #.1 64792-0T020-B0 \$48.99

Ivory

R #.1 64791-0T010-A0 \$48.61

L #.1 64792-0T020-A0 \$48.99

w/o Power Liftgate

Gray

R #.1 64791-0T010-B0 \$48.61

L #.1 64792-0T010-B0 \$48.61

Ivory

R #.1 64791-0T010-A0 \$48.61

L #.1 64792-0T010-A0 \$48.61

#w/Upper & Lower Trim Removed

4 Clip, Side (2/Side) (a)

R 90467-A0006 \$1.06

L 90467-A0006 \$1.06

(a) Included w/Upper Side Trim Assy

5 Trim Assy, Lower

Gray

#.3 64780-0T010-B0 \$220.72

Ivory

#.3 64780-0T010-A0 \$220.72

#Included in R&I/R&R Spoiler

6 Clip, Lower (16) (b)

90467-A0006 \$1.06

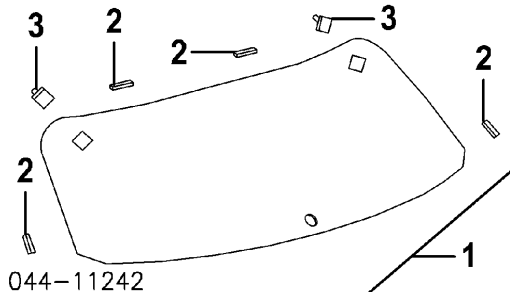
2010 Toyota Venza (none) Wagon

(b) Included w/Lower Trim Assy

7 Handle, Pull	74811-0E010-C0	\$11.15
Harness, Liftgate (c)		
w/Rear Camera	82184-0T070	\$358.02
w/o Rear Camera	82184-0T030	\$252.22

(c) Order by Application

GLASS & PARTS



1 Glass Assy, Liftgate			
Toyota			
Green	#2.8	68105-0T010	\$658.30
Privacy	#2.8	68105-0T020	\$617.47
NAGS	#2.8	FB24041YPY	\$793.60

#Includes R&I Spoiler, R&R Wiper Motor & Clean Up Old Adhesive as Necessary

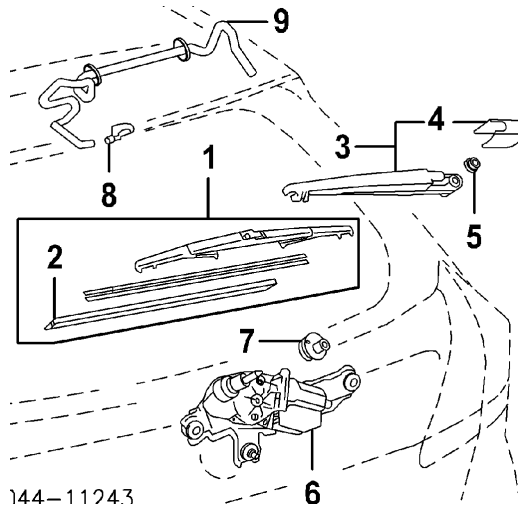
Spacer, Glass¶			
2 Type 1, (4)		62785-0R010	\$2.97
3 Type 2	R	64818-0T010	\$3.92
	L	64819-0T010	\$3.92

¶Included w/Liftgate Glass Assy

Adhesive, Glass	N.A.
-----------------	------

WIPER SYSTEM

2010 Toyota Venza (none) Wagon



144-11243

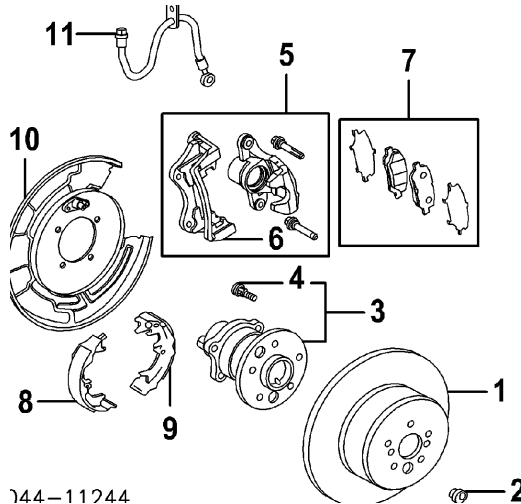
1 Blade Assy, Wiper	.1	85242-0T011	\$11.89
2 Insert, Wiper Blade¶	.1	85214-05110	\$2.81
¶Included w/Wiper Blade Assy			
3 Arm Assy, Wiper	#.2	85241-0T010	\$38.47
#Includes R&R Wiper Blade Assy or Insert			
4 Cap, Wiper Arm (a)		85292-02060	\$7.17
(a) Included w/Wiper Arm Assy			
5 Nut, Wiper Arm		90179-06158	\$1.20
6 Motor, Wiper	#.4	85080-0T010	\$194.71
#w/Lower Trim Assy Removed, Includes R&R Wiper Arm Assy			
7 Grommet, Wiper Motor		85143-02040	\$4.69
8 Nozzle, Washer	#.2	85391-0T010	\$17.92
#w/Spoiler Removed			
9 Hose, Washer		90068-33089	\$11.40

2010 Toyota Venza (none) Wagon

REAR SUSPENSION

Procedure 23

FWD



144-11244

R&I Suspension/Crossmember Assy		3.2
R&I Suspension (One Side)	R	2.4
	L	2.4
O/H Suspension (Includes R&I)		
One Side (Includes R&I)	R	4.6
	L	4.6
Both Sides (Includes R&I)		8.4
Adjust Four Wheel Alignment		2.4
Bleed Brake System		.6

NOTE 1: R&I/R&R or O/H Does Not include alignment or bleed brake system.

NOTE 2: All Parts in this section are included in overhaul unless noted otherwise.

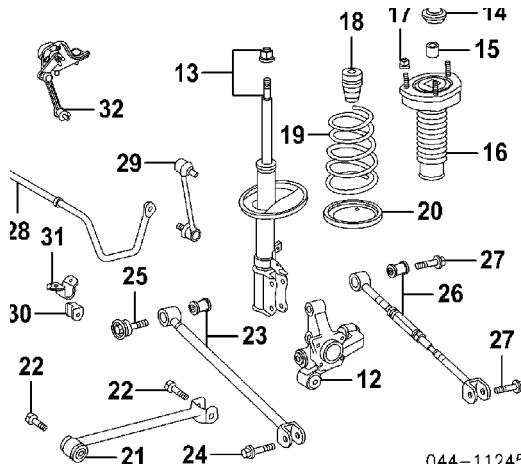
1 Rotor, Brake	R	#.6	42431-0T010	\$113.76
	L	#.6	42431-0T010	\$113.76
#R&R Both 1.0				
2 Plug, Adjusting	R		47491-22020	\$2.66
	L		47491-22020	\$2.66
3 Hub Assy	R	#1.1	42450-0T010	\$521.23
	L	#1.1	42460-0T010	\$521.23
#Includes R&R Rotor				
4 Bolt, Lug (5/Side)¶	R		90942-02049	\$3.60
	L		90942-02049	\$3.60

¶Included w/Hub Assy

2010 Toyota Venza (none) Wagon

5 Caliper Assy, Brake	R	#.5	47830-0T010	\$360.10
	L	#.5	47850-0T010	\$360.10
#R&R Both Sides .8				
6 Bracket, Caliper Mounting (a)	R		47821-0T010	\$93.74
	L		47821-0T010	\$93.74
(a) Included w/Brake Caliper Assy				
7 Pad Set, Brake		#1.0	04466-0T010	\$52.99
#Deduct .5 for Each Caliper Removed				
Shoe, Parking Brake				
8 Leading	R	#1.0	46540-48010	\$23.26
	L	#1.0	46540-48010	\$23.26
9 Trailing	R	#1.0	46550-0E010	\$23.26
	L	#1.0	46590-0E010	\$23.26
#R&R One Side Complete, Includes R&R Rotor				
10 Plate, Backing	R	#.2	46503-0T010	\$247.30
	L	#.2	46504-0T010	\$247.30
#w/Hub Removed				
11 Hose, Rear Brake	R	#.3	90947-A2035	\$61.22
	L	#.3	90947-A2036	\$61.22

#w/Caliper Removed Deduct .2



12 Carrier, Axle	R	#2.2	42304-0T010	\$286.51
	L	#2.2	42305-0T010	\$286.51

#Includes R&R Rotor, Hub & Backing Plate, R&R Both Sides 4.2

13 Absorber, Rear Shock

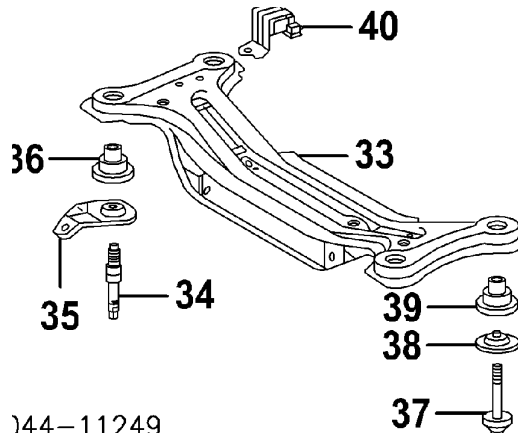
2010 Toyota Venza (none) Wagon

2.7L Eng	R	#1.8	48530-A9700	\$174.67
	L	#1.8	48540-09890	\$174.67
3.5L Eng	R	#1.8	48530-A9690	\$174.67
	L	#1.8	48540-09880	\$174.67
14 Cover, Support	R		48753-06011	\$3.77
	L		48753-06011	\$3.77
15 Collar, Shock Absorber	R	#1.8	90080-38148	\$7.03
	L	#1.8	90080-38148	\$7.03
16 Support, Suspension	R	#1.8	48750-0T011	\$102.09
	L	#1.8	48760-0T010	\$102.09
17 Nut, Support (3/Side)	R		90080-17225	\$2.80
	L		90080-17225	\$2.80
18 Bumper, Spring	R	#1.8	48341-0E030	\$16.26
	L	#1.8	48341-0E030	\$16.26
19 Spring, Coil				
2.7L Eng	R	#1.8	48231-0T020	\$86.96
	L	#1.8	48231-0T020	\$86.96
3.5L Eng	R	#1.8	48231-0T010	\$84.28
	L	#1.8	48231-0T010	\$84.28
20 Insulator, Lower Spring	R	#1.8	48258-0E010	\$12.20
	L	#1.8	48258-0E010	\$12.20
#R&R One Side Complete, w/Knuckle Removed Deduct 1.2, R&R Both Sides 3.4				
21 Rod, Strut	R	#1.0	48780-48070	\$119.98
	L	#1.0	48780-48070	\$119.98
#w/Knuckle Removed Deduct .5				
22 Bolt, Strut Rod (2/Side)	R		90080-11695	\$7.24
	L		90080-11695	\$7.24
23 Arm, Front Lateral	R	#2.0	48710-48060	\$140.98
	L	#2.0	48710-48060	\$140.98
#w/Knuckle Removed Deduct 1.2				
Bolt, Front Arm				
24 Outer	R		90080-11672	\$9.03
	L		90080-11672	\$9.03
25 Inner	R		90080-11674	\$24.66
	L		90080-11674	\$24.66
26 Arm, Rear Lateral				
w/HID H/Lamps	R	#1.1	48730-73010	\$139.58
	L	#1.1	48740-48040	\$139.58
w/o HID H/Lamps	R	#1.1	48730-48150	\$139.58
	L	#1.1	48740-48040	\$139.58

#w/Knuckle Removed Deduct .8

2010 Toyota Venza (none) Wagon

27 Bolt, Rear Arm (2/Side)	R		90080-11672	\$9.03
	L		90080-11672	\$9.03
28 Bar, Stabilizer		#1.5	48812-0T010	\$88.20
#Includes R&R Stabilizer Links, Brackets & Bushings, Not Included in O/H				
29 Link, Stabilizer Bar	R	#.4	48830-06030	\$85.71
	L	#.4	48830-06030	\$85.71
#Not Included in O/H				
30 Bushing, Stabilizer Bar	R	#1.0	48818-0T010	
	L	#1.0	48818-0T010	
31 Bracket, Stabilizer Bar	R	#1.0	48832-AA010	\$7.60
	L	#1.0	48832-AA010	\$7.60
#R&R Complete, Not Included in O/H				
32 Sensor, Height Control w/HID H/Lamps		#.6	89407-0T010	\$347.36
#Not Included in O/H				

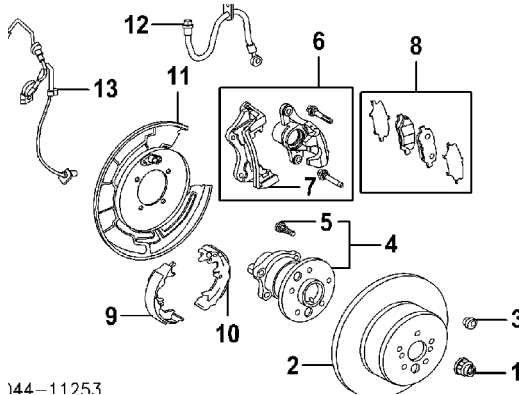


33 Crossmember, Rear		#4.0	51206-06102	\$804.86
#Not Included in O/H				
34 Bolt, Front	R	#	90080-10405	\$7.24
	L	#	90080-10405	\$7.24
35 Stopper, Front	R	#	52203-0E010	\$40.95
	L	#	52204-0E010	\$40.95
36 Cushion, Front	R	#	52271-06050	\$47.93
	L	#	52272-06040	\$41.27
37 Bolt, Rear	R	#	90080-11721	\$9.08
	L	#	90080-11721	\$9.08
38 Stopper, Rear	R	#	52273-06010	\$11.26
	L	#	52273-06010	\$11.26
39 Cushion, Rear	R	#	52275-06050	\$41.27
	L	#	52275-06050	\$41.27
40 Damper, Suspension		#	51249-06050	\$92.34

2010 Toyota Venza (none) Wagon

#Not Included in O/H

AWD



144-11253

R&I Suspension/Crossmember Assy 4.3

O/H Suspension (Includes R&I)

One Side (Includes R&I)	R	4.8
	L	4.8
Both Sides (Includes R&I)		9.0

Adjust Four Wheel Alignment 2.4

Bleed Brake System .6

NOTE 1: R&I/R&R or O/H Does Not include alignment or bleed brake system.

NOTE 2: All Parts in this section are included in overhaul unless noted otherwise.

1 Nut, Axle Lock-See Rear Drive Axle Section

2 Rotor, Brake	R	#.6	42431-0T010	\$113.76
	L	#.6	42431-0T010	\$113.76

#R&R Both 1.0

3 Plug, Adjusting	R		47491-22020	\$2.66
	L		47491-22020	\$2.66

4 Hub Assy	R	#1.8	42410-0E021	\$369.28
	L	#1.8	42410-0E021	\$369.28

#Includes R&R Rotor

5 Bolt, Lug (5/Side)¶	R		90942-02049	\$3.60
	L		90942-02049	\$3.60

¶Included w/Hub Assy

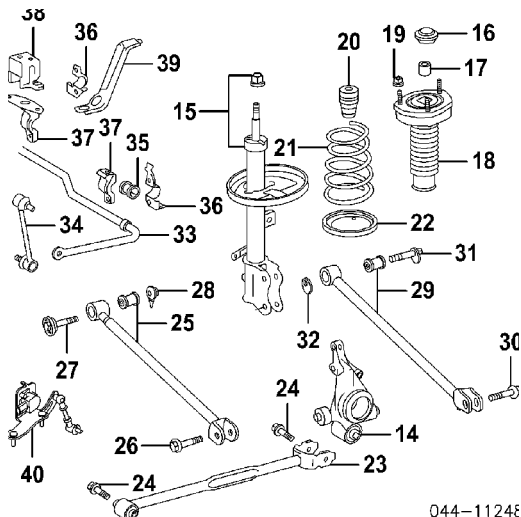
6 Caliper Assy, Brake	R	#.5	47830-0T010	\$360.10
	L	#.5	47850-0T010	\$360.10

#R&R Both Sides .8

2010 Toyota Venza (none) Wagon

7 Bracket, Caliper Mounting (a)	R		47821-0T010	\$93.74
	L		47821-0T010	\$93.74
(a) Included w/Brake Caliper Assy				
8 Pad Set, Brake		#1.0	04466-0T010	\$52.99
#Deduct .5 for Each Caliper Removed				
Shoe, Parking Brake				
9 Leading	R	#1.0	46540-48010	\$23.26
	L	#1.0	46540-48010	\$23.26
10 Trailing	R	#1.0	46550-0E010	\$23.26
	L	#1.0	46590-0E010	\$23.26
#R&R One Side Complete, Includes R&R Rotor				
11 Plate, Backing	R	#.2	46503-0T010	\$247.30
	L	#.2	46504-0T010	\$247.30
#w/Hub Removed				
12 Hose, Rear Brake	R	#.3	90947-A2037	\$53.53
	L	#.3	90947-A2038	\$53.53
#w/Caliper Removed Deduct .2				

13 Sensor, Rear Speed-See ABS/Brakes Section



044-1124E

14 Carrier, Axle	R	#2.8	42304-0T020	\$384.80
	L	#2.8	42305-0T020	\$384.80

2010 Toyota Venza (none) Wagon

#Includes R&R Rotor, Hub & Backing Plate, R&R Both Sides 5.4

15 Absorber, Rear Shock				
2.7L Eng	R	#1.8	48530-80526	\$163.91
	L	#1.8	48540-80009	\$163.91
3.5L Eng	R	#1.8	48530-A9710	\$163.91
	L	#1.8	48540-A9360	\$163.91
16 Cover, Support	R		48753-06011	\$3.77
	L		48753-06011	\$3.77
17 Collar, Shock Absorber	R	#1.8	90080-38148	\$7.03
	L	#1.8	90080-38148	\$7.03
18 Support, Suspension	R	#1.8	48750-0T011	\$102.09
	L	#1.8	48760-0T010	\$102.09
19 Nut, Support (3/Side)	R		90080-17225	\$2.80
	L		90080-17225	\$2.80
20 Bumper, Spring	R	#1.8	48341-0E030	\$16.26
	L	#1.8	48341-0E030	\$16.26
21 Spring, Coil				
2.7L Eng	R	#1.8	48231-0T040	\$81.85
	L	#1.8	48231-0T040	\$81.85
3.5L Eng	R	#1.8	48231-0T030	\$87.19
	L	#1.8	48231-0T030	\$87.19
22 Insulator, Lower Spring	R	#1.8	48258-0E010	\$12.20
	L	#1.8	48258-0E010	\$12.20

#R&R One Side Complete, w/Knuckle Removed Deduct 1.2, R&R Both Sides 3.4

23 Rod, Strut	R	#1.0	48780-48081	\$140.98
	L	#1.0	48780-48081	\$140.98

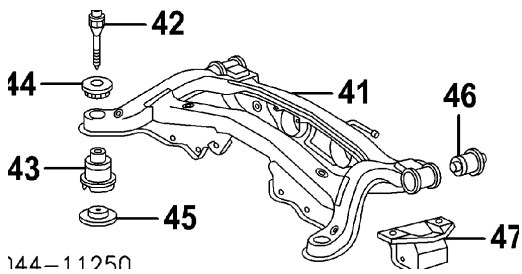
#w/Knuckle Removed Deduct .5

24 Bolt, Strut Rod (2/Side)	R		90080-11695	\$7.24
	L		90080-11695	\$7.24
25 Arm, Front Lateral	R	#.5	48710-48070	\$131.52
	L	#.5	48710-48070	\$131.52

#w/Suspension Assy Removed

Bolt, Front Arm				
26 Outer	R		90080-11672	\$9.03
	L		90080-11672	\$9.03
27 Inner	R		90119-A0015	\$5.14
	L		90119-A0015	\$5.14
28 Nut, Front Arm	R		90080-17228	\$6.61
	L		90080-17228	\$6.61
29 Arm, Rear Lateral				

2010 Toyota Venza (none) Wagon

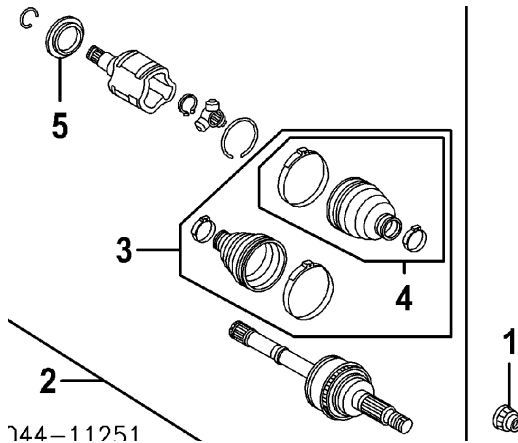
w/HID H/Lamps	R	#1.1	48730-73020	\$114.03
	L	#1.1	48730-48160	\$114.03
w/o HID H/Lamps	R	#1.1	48730-48160	\$114.03
	L	#1.1	48730-48160	\$114.03
#w/Knuckle Removed Deduct .8				
Bolt, Rear Arm				
30 Outer	R		90080-11672	\$9.03
	L		90080-11672	\$9.03
31 Inner	R		48409-0E010	\$15.38
	L		48409-0E010	\$15.38
32 Cam, Camber Adjust	R		48198-48010	\$14.52
	L		48198-48010	\$14.52
33 Bar, Stabilizer		#1.5	48805-0T011	\$110.89
#Includes R&R Stabilizer Links, Brackets & Bushings, Not Included in O/H				
34 Link, Stabilizer Bar	R	#.4	48830-06030	\$85.71
	L	#.4	48830-06030	\$85.71
#Not Included in O/H				
35 Bushing, Stabilizer Bar	R	#1.0	48818-06150	\$6.34
	L	#1.0	48818-06150	\$6.34
Bracket, Stabilizer Bar				
36 Outer	R	#1.0	48832-0T010	\$11.09
	L	#1.0	48833-0T010	\$11.09
37 Inner	R	#1.0	48832-0E040	\$17.92
	L	#1.0	48832-0E020	\$12.29
#R&R Complete, Not Included in O/H				
38 Bracket, Bar	R		48832-0E060	\$16.26
39 Brace, Bar	R		53653-0T010	\$18.23
40 Sensor, Height Control				
w/HID H/Lamps		#.6	89407-0T020	\$347.36
#Not Included in O/H				
				
41 Crossmember, Suspension		#7.4	51206-0T020	\$843.55
#Not Included in O/H				
42 Bolt, Front Crossmember	R		90080-10404	\$10.86
	L		90080-10404	\$10.86

2010 Toyota Venza (none) Wagon

43 Cushion, Front	R	52271-0E010	\$76.91
	L	52271-0E010	\$76.91
44 Stopper, Upper	R	52272-0E010	\$11.95
	L	52272-0E010	\$11.95
45 Stopper, Lower	R	52277-0E020	\$24.84
	L	52277-0E020	\$24.84
46 Cushion, Rear	R	52275-0E010	\$76.91
	L	52275-0E010	\$76.91
47 Bracket, Mounting	R	51073-0E010	\$113.66
	L	51074-0E010	\$112.89

2010 Toyota Venza (none) Wagon

REAR DRIVE AXLE



744-11251

R&I Differential Assy

R&I Axle Shaft Assy

5.7

R #1.0

L #1.0

#w/Necessary Suspension Components Removed

1 Nut, Axle Lock	R		90080-17238	\$6.57
	L		90080-17238	\$6.57
2 Axle Assy, Drive	R	#1.0	42340-0T010	\$484.54
	L	#1.0	42340-0T020	\$484.54

#w/Necessary Suspension Components Removed

3 Boot Kit, Axle¶	R		04429-0T010	\$45.73
	L		04429-0T010	\$45.73
4 Boot Kit, Inner (a)¶	R	#.4	04439-0T010	\$28.58
	L	#.4	04439-0T010	\$28.58

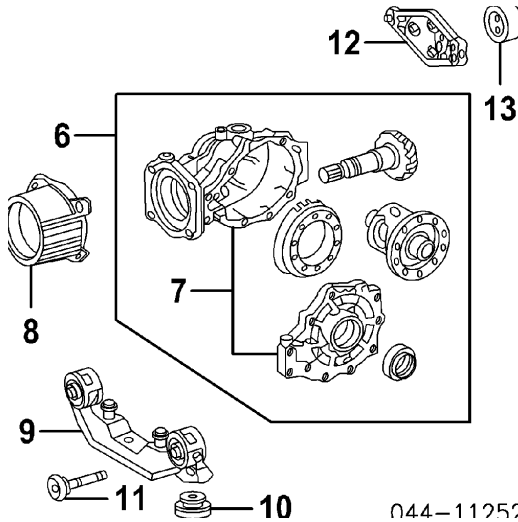
(a) Included w/Axle Boot Kit

#w/Drive Axle Assy Removed

5 Cover, Inner Dust¶	R		41336-0T010	\$4.49
	L		41336-0T010	\$4.49

¶Included w/Drive Axle Assy

2010 Toyota Venza (none) Wagon



6 Differential Assy		6.3	41110-73010	\$967.62
7 Carrier, Differential (b)			41101-33032	\$302.77
(b) Included w/Differential Assy				
8 Coupling, Electric Clutch	#.6		41303-68011	\$1,434.24
9 Support, Front Diff'l	#.3		52380-73010	\$325.32
10 Damper, Dynamic			41196-01010	\$95.86
11 Bolt, Front Mounting		R	90901-19003	\$18.27
		L	90901-19003	\$18.27
12 Support, Rear Diff'l	#.2		52391-33020	\$126.64
13 Cushion, Rear Mounting		R	41651-33030	\$32.92
		L	41651-01020	\$32.92

#w/Differential Assy Removed

2010 Toyota Venza (none) Wagon

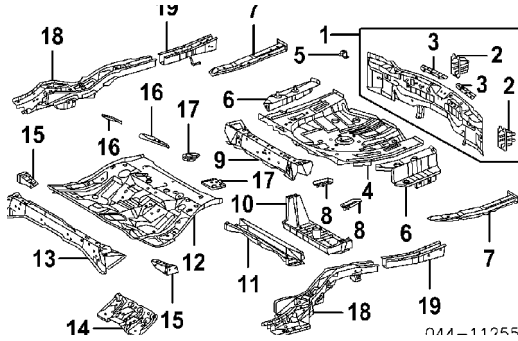
	AWD		4.3	77001-0T010	\$468.73
17	Band, Fuel Tank	R		77601-0T010	\$49.33
		L		77602-0T010	\$49.33
18	Protector, Tank			77606-0T010	\$117.89
19	Gauge, Sender		#1.7	83320-09170	\$123.12
20	Pump Assy, Fuel				
	2.7L Eng		#1.7	77020-0T010	\$731.12
	3.5L Eng		#1.7	77020-0T020	\$741.61
	#R&R Complete, Included in R&R Fuel Tank				
21	Gasket, Pump (a)			77169-52010	\$4.80
22	Plate, Suction (a)			77024-0T010	\$107.40
23	Gauge, Fuel Level (a)			83320-0T010	\$122.44
	(a) Included w/Fuel Pump Assy				
24	Plate, Vent Tube			77168-52020	\$22.09
25	Tube, Fuel			77209-0T010	\$21.38

2010 Toyota Venza (none) Wagon

REAR BODY

Procedures 26 and 28

SHEET METAL



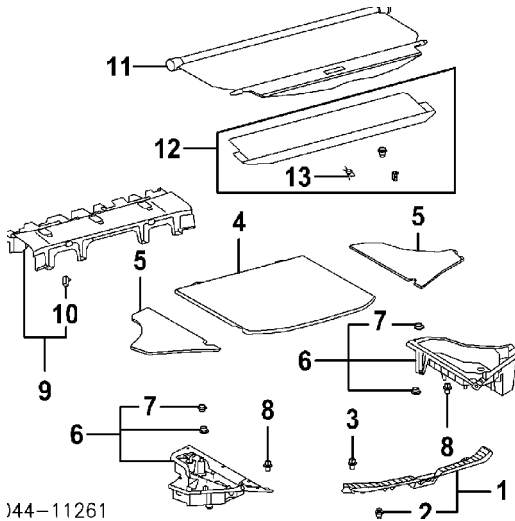
Refinish Rear Body Panel Assy Outside		2.0		
Add for Inside		1.0		
Refinish Rear Floor Pan		1.5		
Refinish Rear Floor Side Panel	R	.5		
	L	.5		
Refinish Front Sidemember	R	1.0		
	L	1.0		
Refinish Rear Sidemember	R	.5		
	L	.5		
1 Panel Assy, Rear Body		#10.5	58307-0T010	\$367.92
#w/Quarter Panel Removed Deduct 2.5				
2 Reinf, Bumper Arm Supt¶	R	.5	58303-0T010	\$99.69
	L	.5	58304-0T010	\$99.69
3 Bracket, Rear Bumper Cover¶	R	.5	58385-06030	\$18.49
	L	.5	58386-06010	\$18.69
¶Included w/Rear Body Panel Assy				
4 Pan, Rear Floor		#9.0	58311-0T900	\$360.30
#w/Rear Body Panel Removed				
5 Bracket, Spare Wheel		.5	58351-33010	\$9.00
6 Panel, Rear Floor Side	R	3.0	58313-0T010	\$72.05
	L	3.0	58306-0T010	\$78.02
7 Reinf, Rear Floor	R	2.5	58361-0T010	\$92.00
	L	2.5	58362-0T010	\$92.00
8 Reinf, Floor Pan	R	.5	58354-0T010	\$18.09
	L	.5	58353-0T010	\$19.38

2010 Toyota Venza (none) Wagon

9 Gusset, Rear Floor		4.0	57603-0T010	\$234.38
10 Cover, Floor		4.0	58398-0T010	\$107.75
11 Crossmember, Rear Floor		4.0	57653-0T010	\$174.91
12 Pan, Center Floor			58211-0T010	\$360.30
13 Pan, Center Floor Front-See Rocker/Pillars/Floor Section				
14 Reinf, Seat Belt Anchor		1.0	58015-06050	\$125.58
15 Gusset, Side	R	.5	61061-0T010	\$52.82
	L	.5	61062-0T010	\$52.82
16 Cover, Service Hole	R	.5	58329-0T010	\$18.09
	L	.5	58325-0T010	\$29.67
17 Bracket, Fuel Tank Support	R	.5	58365-0T010	\$18.43
	L	.5	58366-0T010	\$29.49
18 Sidemember, Front (HSS)				
FWD	R	8.5	57611-0T901	\$531.72
	L	8.5	57612-0T901	\$531.72
AWD	R	8.5	57611-0T902	\$482.74
	L	8.5	57612-0T902	\$503.74
19 Sidemember, Rear (HSS)	R	#2.5	57606-0T020	\$174.91
	L	#2.5	57607-0T010	\$174.91

#w/Rear Body Panel Removed, w/Rear Floor Pan Removed .5

INTERIOR TRIM



1 Plate Assy, Rear Scuff				
Gray		#.2	58387-0T010-B0	\$94.80
Ivory		#.2	58387-0T010-A0	\$94.80

2010 Toyota Venza (none) Wagon

#Included in R&R Lower Quarter Trim Panel

2	Clip, Scuff Plate (4)¶			90467-A0008	\$0.78
---	------------------------	--	--	-------------	--------

¶Included w/Rear Scuff Plate Assy

3	Clip, Scuff Plate	R		90467-08180	\$1.75
		L		90467-08180	\$1.75

4	Board, Center Floor				
	Gray		#.2	58410-0T010-B0	\$468.76
	Ivory		#.2	58410-0T010-A0	\$468.76

#Included in R&R Lower Quarter Trim Panel

5	Board, Outer Floor				
	Gray	R	#.2	58408-0T010-B0	\$215.15
		L	#.2	58409-0T010-B0	\$193.46
	Ivory	R	#.2	58408-0T010-A0	\$215.15
		L	#.2	58409-0T010-A0	\$193.46
6	Box Assy, Storage	R	#.2	64741-0T010	\$179.79
		L	#.2	64742-0T010	\$166.85

#R&R One Side Complete, Included in R&R Lower Quarter Trim Panel

7	Clip, Box (a)	R		90467-14053	\$1.49
		L		90467-14053	\$1.49

(a) Included w/Storage Box Assy

8	Clip, Box	R		90467-08180	\$1.75
		L		90467-08180	\$1.75

9	Panel Assy, Front Floor				
	Gray		#.2	73530-0T010-B0	\$94.88
	Ivory		#.2	73530-0T010-A0	\$94.88

10	Clip, Panel (5) (b)			90467-A0006	\$1.06
----	---------------------	--	--	-------------	--------

(b) Included w/Front Floor Panel Assy

11	Cover, Tonneau				
	Gray		.2	64910-0T010-B0	\$773.08
	Ivory		.2	64910-0T010-A0	\$773.08

12	Board Assy, Front Deck				
	Gray		#.2	58411-0T010-B0	\$226.32
	Ivory		#.2	58411-0T010-A0	\$226.32

#Included in R&R Lower Quarter Trim Panel

13	Spring, Mounting (4) (c)			58488-0T010	\$1.74
----	--------------------------	--	--	-------------	--------

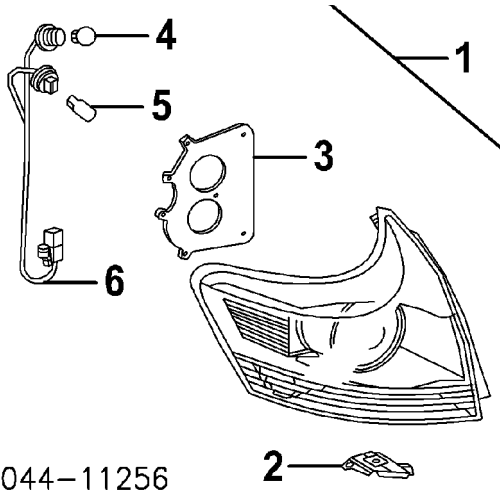
2010 Toyota Venza (none) Wagon

(c) Included w/Front Deck Board Assy

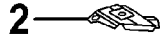
2010 Toyota Venza (none) Wagon

REAR LAMPS

COMBINATION LAMP ON QUARTER PANEL



044-11256



R&I Combination Lamp Assy

R #1.3

L #1.3

#Includes R&R Lower Quarter Trim Panel

1 Lamp Assy, Combination	R	#1.3	81550-0T010	\$161.39
	L	#1.3	81560-0T010	\$161.39

#Includes R&R Lower Quarter Trim Panel

2 Retainer, Lamp¶	R		52562-0T010	\$7.83
	L		52563-0T010	\$7.83
3 Gasket, Lamp¶	R		81552-0T010	\$13.63
	L		81552-0T010	\$13.63
4 Bulb, Tail/Stop¶	R	#.2	90981-13044	\$4.83
	L	#.2	90981-13044	\$4.83
5 Bulb, Signal¶	R	#.2	90981-15011	\$6.26
	L	#.2	90981-15011	\$6.26

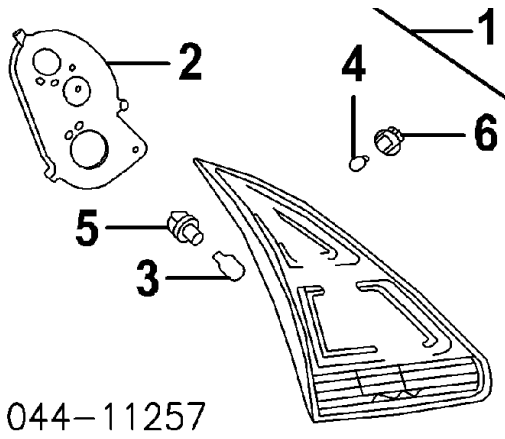
#R&R One Side Complete, Included in R&I/R&R Combination Lamp Assy

6 Harness, Lamp¶	R		81555-0T020	\$23.01
	L		81555-0T020	\$23.01

¶Included w/Combination Lamp Assy

COMBINATION LAMP ON LIFTGATE

2010 Toyota Venza (none) Wagon



044-11257

R&I Combination Lamp Assy

R #.5

L #.5

#Includes R&R Lower Trim Assy

1 Lamp Assy, Combination	R	#.5	81580-0T010	\$94.56
	L	#.5	81590-0T010	\$94.56

#Includes R&R Lower Trim Assy

2 Gasket, Lamp¶	R		81584-0T010	\$13.63
	L		81584-0T010	\$13.63
3 Bulb, Back-Up Lamp¶	R	#.2	90981-11059	\$4.43
	L	#.2	90981-11059	\$4.43
4 Bulb, Tail Lamp¶	R	#.2	99132-11038	\$2.50
	L	#.2	99132-11038	\$2.50

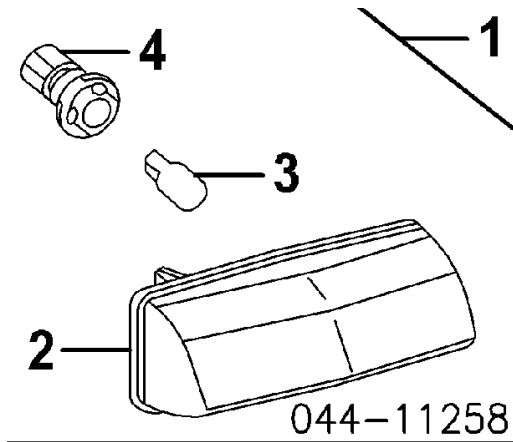
#R&R One Side Complete, Included in R&I/R&R Combination Lamp Assy

5 Socket, Back-Up Lamp¶	R		90075-60063	\$9.40
	L		90075-60063	\$9.40
6 Socket, Tail Lamp¶	R		81555-0T010	\$23.01
	L		81555-0T010	\$23.01

¶Included w/Combination Lamp Assy

LICENSE LAMP

2010 Toyota Venza (none) Wagon



R&I License Lamp Assy

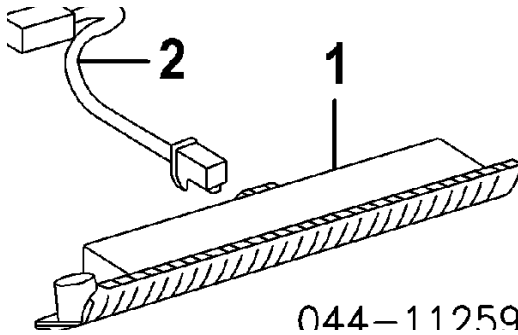
#.4

#Includes R&R Lower Trim Assy

1 Lamp Assy, License	#.4	81270-53011	\$28.59
#Includes R&R Lower Trim Assy			
2 Lens, License Lamp¶		81271-53011	\$16.46
3 Bulb, License¶	.2	00234-00192	\$1.04
4 Socket, License Lamp¶		90075-99011	\$2.06

¶Included w/License Lamp Assy

HIGH MOUNT STOP LAMP



R&I High Mount Stop Lamp

#.2

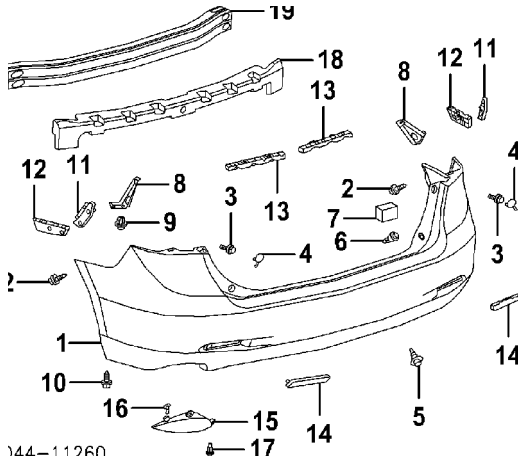
#Included in R&R Spoiler

1 Lamp, Stop	#.2	81570-0T010	\$124.50
#Included in R&R Spoiler			
2 Harness, Lamp		81935-0T010	\$25.32

2010 Toyota Venza (none) Wagon

REAR BUMPER

Procedures 27 and 28



Refinish Rear Cover

2.6

R&I Rear Cover

1.0

O/H Rear Cover (Includes R&I)

2.2

NOTE: All Parts in this section are included in O/H unless noted otherwise.

1 Cover, Rear Bumper (P) (P) Paint to Match		2.2	52159-0T900	\$291.18
2 Bolt, Outer Cover	R		90159-50002	\$0.98
	L		90159-50002	\$0.98
3 Bolt, Inner Cover	R		90109-06375	\$0.89
	L		90109-06375	\$0.89
4 Plate, Cover	R		52163-0T901	\$1.69
	L		52164-0T901	\$1.69
5 Retainer, Lower Cover (2)			52161-02020	\$2.14
6 Stopper, Upr Rear Cover	R		52599-48020	\$3.14
	L		52599-48020	\$3.14
7 Pad, Cover	R		52462-06020	\$7.21
8 Bracket, Bumper	R	#.2	58355-0T010	\$11.26
	L	#.2	58356-0T010	\$11.26
#w/Rear Cover Removed				
9 Grommet, Bracket	R		90189-05142	\$0.89
	L		90189-05142	\$0.89
10 Bolt, Lower Cover	R		90159-A0006	\$0.63
	L		90159-A0006	\$0.63
11 Retainer, Cover	R		52575-0T010	\$22.69
	L		52576-0T010	\$22.69
12 Support, Cover	R		52157-0T010	\$20.49
	L		52158-0T010	\$20.49

2010 Toyota Venza (none) Wagon

13 Bracket, Rear Bumper Cover-See Rear Body Section

14 Reflector, Rear Bumper	R	.2	81910-08010	\$30.47
	L	.2	81920-08010	\$30.47
15 Spoiler, Bumper Cover				
2.7L Eng	L	.2	76896-0T900	\$34.98
16 Retainer, Spoiler				
2.7L Eng	L		75392-35200	\$1.60
17 Retainer, Lower				
2.7L Eng	L		52161-02020	\$2.14
18 Absorber, Energy		IOH	52615-0T010	\$37.07
19 Reinforcement, Rear Bumper		#.4	52171-0T020	\$248.02

#w/Rear Cover Removed, Not Included in O/H